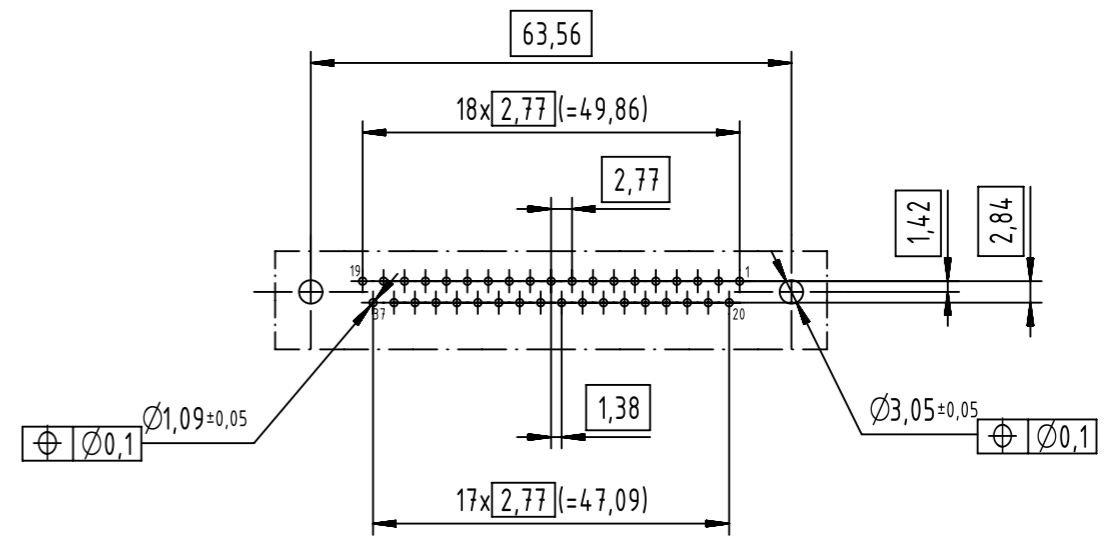


PC-Board layout  
view component side  
thickness 1,6



Connector insertion force on PCB = max. 80N

09684535613	PLS4
09684537613	PL3
Part number	Performance level

	All rights reserved Department EC PD - CN HARTING Electronics GmbH D-32339 Espelkamp	All Dimensions in mm Original Size DIN A3	Scale 1:1	Free size tol.	Ref. Sub.
		Created by ZENG D	Inspected by LUOK	Standardisation HOFFMANN	Date 2017-11-10
Title D-Sub STD 37-pole female angled board locks					Doc-Key / ECM-Nr. 100539810/UGD/001/C 500000126855
Type TB		Number 0968453X613			Rev. C
					Page 1/1