

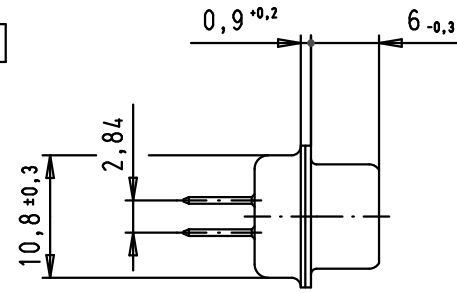
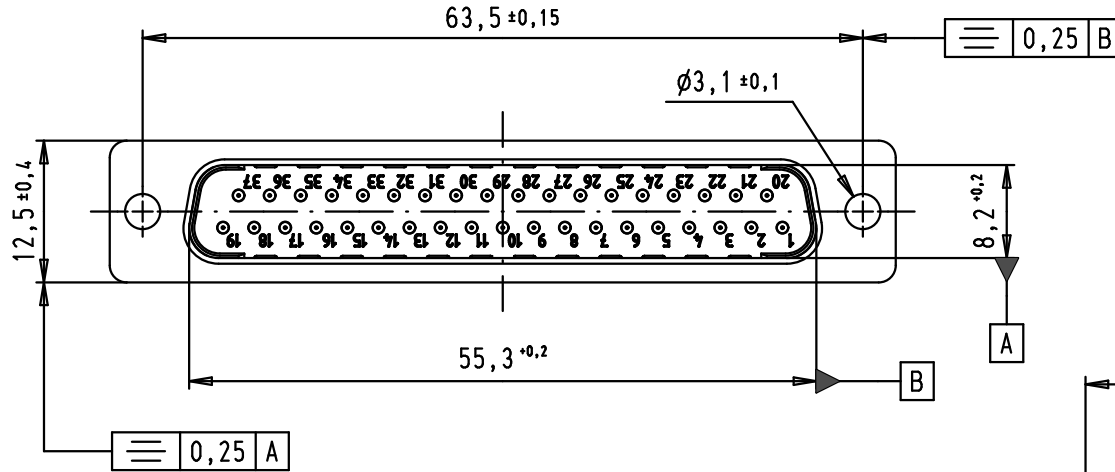
5

4

3

2

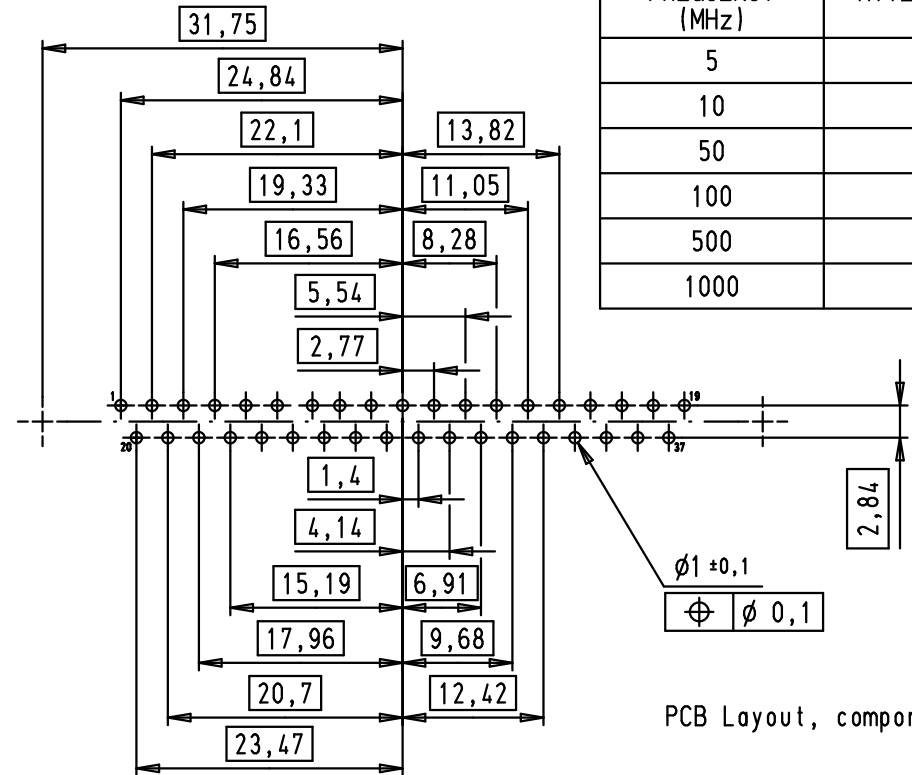
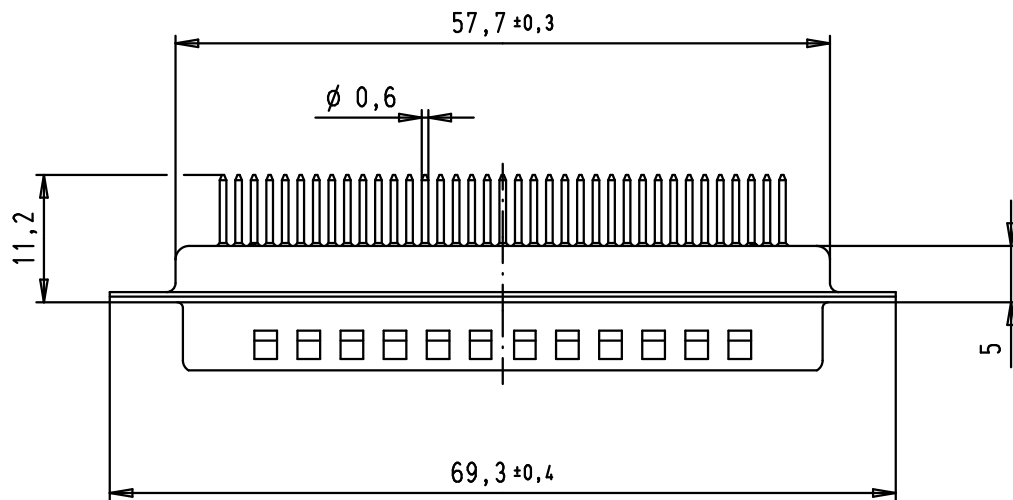
1



SPECIFICATIONS

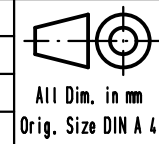
Mating cycles	500
Filter type	C
Capacitance	470 pF±20%
Working voltage	100 V
Current rating	7,5 A
Insulation resistance	>1 GΩ

FREQUENCY (MHz)	ATTENUATION (dB)
5	-
10	1
50	10
100	15
500	35
1000	32



PCB Layout, component side

Mod.	Dot.	Name	Dot.	Name
			Detail.	08/07/02 CV
			Insp.	
35300	01/12/08	PK	Stand.	
33800	16/08/06	PK		
31058	08/07/02	CV		
			HARTING EURL F-95972 Paris	



D-Sub, male, straight,
37 poles,
turned solder pins

Maßstab/
Scale
1,5:1
Blatt/ Page
1 / 1

TB 09 64 422 7220

Sub.

