

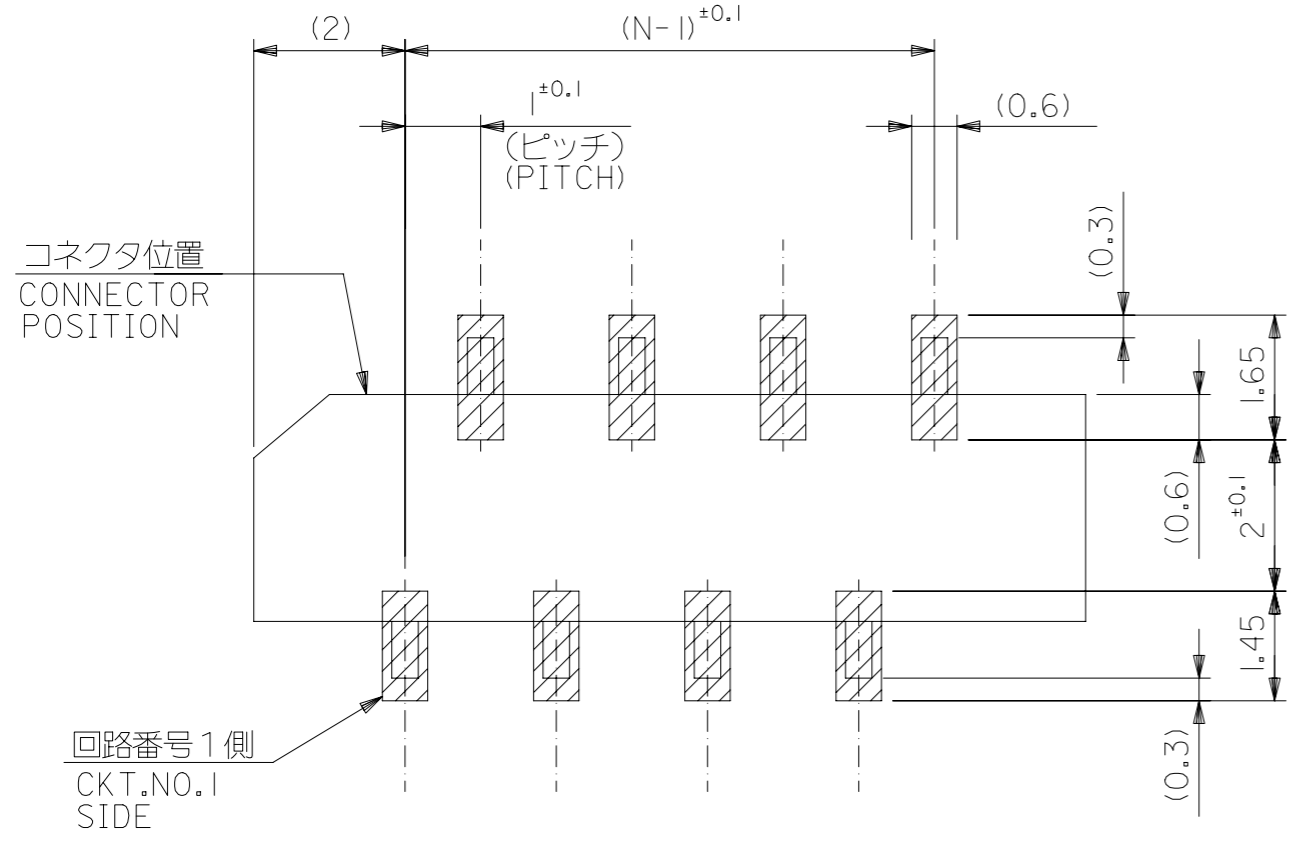
33	31.05	29	52808-3072	30
23	21.05	19	52808-2072	20
12	10.05	8	52808-0972	9
11	9.05	7	52808-0872	8
9	7.05	5	52808-0672	6
8	6.05	4	52808-0572	5
7	5.05	3	52808-0472	4
C	B	A	EMBOSSED PACKAGE オーダー番号 ORDER NO.	Ckt

THIS DRAWING CONTAINS INFORMATION THAT IS PROPRIETARY TO MOLEX ELECTRONIC TECHNOLOGIES, LLC AND SHOULD NOT BE USED WITHOUT WRITTEN PERMISSION

DIMENSION UNITS	SCALE	CURRENT REV DESC: OBSOLETE PART NUMBER					
mm	10:1	<b>molex</b>					
GENERAL TOLERANCES (UNLESS SPECIFIED)							
ANGULAR TOL	± 1.0 °	1.0 FFC CONN NON ZIF SMT ST ASSY					
4 PLACES	± 0.05						
3 PLACES	± 0.1	PRODUCT CUSTOMER DRAWING					
2 PLACES	± 0.2						
1 PLACE	± 0.2	DOCUMENT NUMBER: 528081002					
0 PLACES	± 0.2						
DRAFT WHERE APPLICABLE MUST REMAIN WITHIN DIMENSIONS		THIRD ANGLE PROJECTION	DRAWING: A3-SIZE	SERIES: 52808	MATERIAL NUMBER: SEE TABLE	CUSTOMER: GENERAL	SHEET NUMBER: 1 OF 3

EC NO: 641324  
 DRWN: AKUMAR19 2020/03/18  
 CHK'D: GGA 2020/08/27  
 APPR: GGA 2020/08/27

INITIAL REVISION:  
 DRWN: MTAKAHASHI04 2016/01/29  
 APPR: TKUSUHARA01 2016/02/12



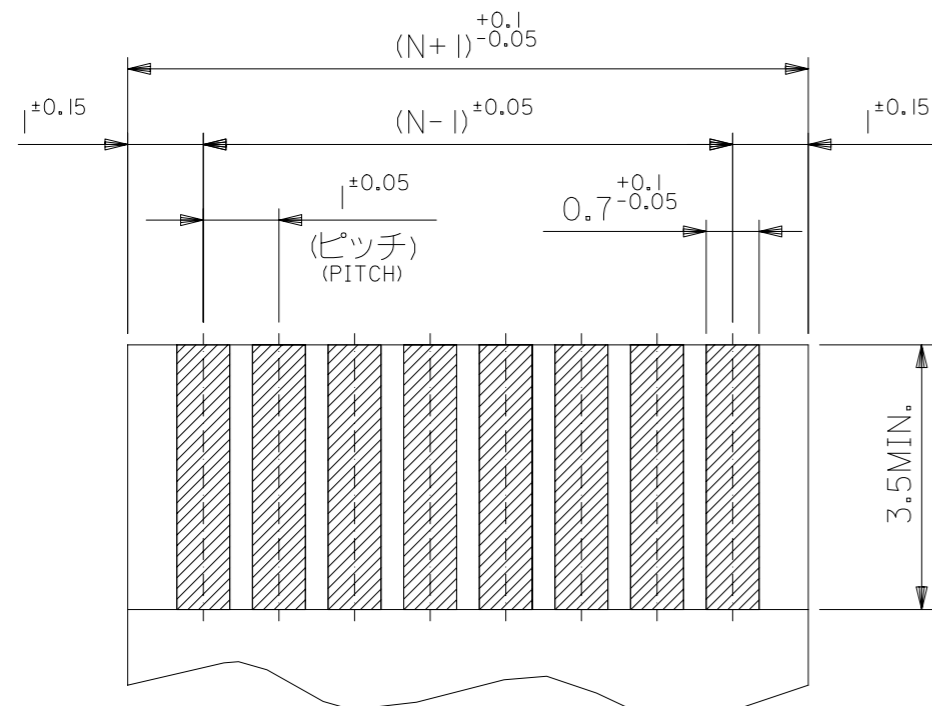
推奨基板レイアウト  
 RECOMMENDED P.C.BOARD PATTERN DIMENSION  
 (マウント面)  
 (MOUNTING SIDE)

参考メタルマスク厚 : 120μm  
 参考メタルマスク開口率 : 100%  
 REFERENCE SCREEN THICKNESS : 120μm  
 REFERENCE SCREEN OPEN RATIO : 100%

注記 NOTES

1. 使用材料 MATERIAL  
 ハウジング : ポリフェニレンサルファイド(PPS) ナチュラル(白色) ガラス充填 UL94V-0  
 HOUSING POLY PHENYLENE SULFIDE NATURAL(WHITE) GLASS FILLED UL94V-0  
 ターミナル : リン青銅(t=0.25)  
 TERMINAL PHOSPHOR BRONZE (t=0.25)
2. めっき仕様 PLATING  
 ターミナル TERMINAL  
 接点部 : 金メッキ(0.1μm以上)  
 半田付部 : 錫メッキ(1.0μm以上)  
 下地 : ニッケルメッキ(1.0μm以上)  
 CONTACT PORTION : GOLD PLATING (0.1μm MIN)  
 SOLDERING PORTION : TIN PLATING (1.0μm MIN)  
 UNDER PLATING : NICKEL PLATING (1.0μm MIN)
3. 基準面 E からのソルダータールの半田付け面のズレ量は、  
 上方向に0.1MAX、下方向に0.15MAXとする。  
 MISALIGNMENT OF SOLDER TAIL FROM E  
 UPPER DIRECTION 0.1 MAX , LOWER DIRECTION 0.15 MAX.
4. 偶数極に適用。  
 APPLY FOR EVEN CKT.
5. 本製品は 52808シリーズの金メッキ品です。  
 THIS PRODUCT IS Au PLATING OF 52808 SERIES.
6. ELV 及び RoHS適合品。  
 ELV AND RoHS COMPLIANT.

THIS DRAWING CONTAINS INFORMATION THAT IS PROPRIETARY TO MOLEX ELECTRONIC TECHNOLOGIES, LLC AND SHOULD NOT BE USED WITHOUT WRITTEN PERMISSION									
DIMENSION UNITS	SCALE	CURRENT REV DESC: OBSOLETE PART NUMBER							
mm	1:1								
GENERAL TOLERANCES (UNLESS SPECIFIED)									
ANGULAR TOL	± 1.0°	EC NO: 641324 DRWN: AKUMAR19 2020/03/18 CHK'D: GGA 2020/08/27 APPR: GGA 2020/08/27 INITIAL REVISION: DRWN: MTAKAHASHI04 2016/01/29 APPR: TKUSUHARA01 2016/02/12							
4 PLACES	± 0.05								
3 PLACES	± 0.1								
2 PLACES	± 0.2								
1 PLACE	± 0.2								
0 PLACES	± 0.2	DOCUMENT NUMBER		DOC TYPE		DOC PART		REVISION	
DRAFT WHERE APPLICABLE MUST REMAIN WITHIN DIMENSIONS		THIRD ANGLE PROJECTION		DRAWING		SERIES		SHEET NUMBER	
				A3-SIZE		52808		2 OF 3	



( 仕上り厚さ : 0.3±0.03 )  
 ( THICKNESS : 0.3±0.03 )  
適合金メッキFPC/FFC推奨寸法  
APPLICABLE GOLD FPC/FFC  
RECOMMENDED DIMENSION

**FPC/FFCについて**

打ち抜き方向は導体側から補強板側を推奨致します。  
 導体部については軟箔銅35μmまたは50μmを推奨致します。  
 接着剤の接点部への付着は導通不良の原因になりますので、染み出しが無い様お願い致します。  
 FPC/FFCに規定された定格温度がFPC/FFC単体前提である場合が御座います。  
 コネクタと組み合わせての実使用において、接着層が劣化する等の信頼性を満足できないケースを回避する為、  
 実機での評価/確認をお願い致します。

**ABOUT FPC/FFC**

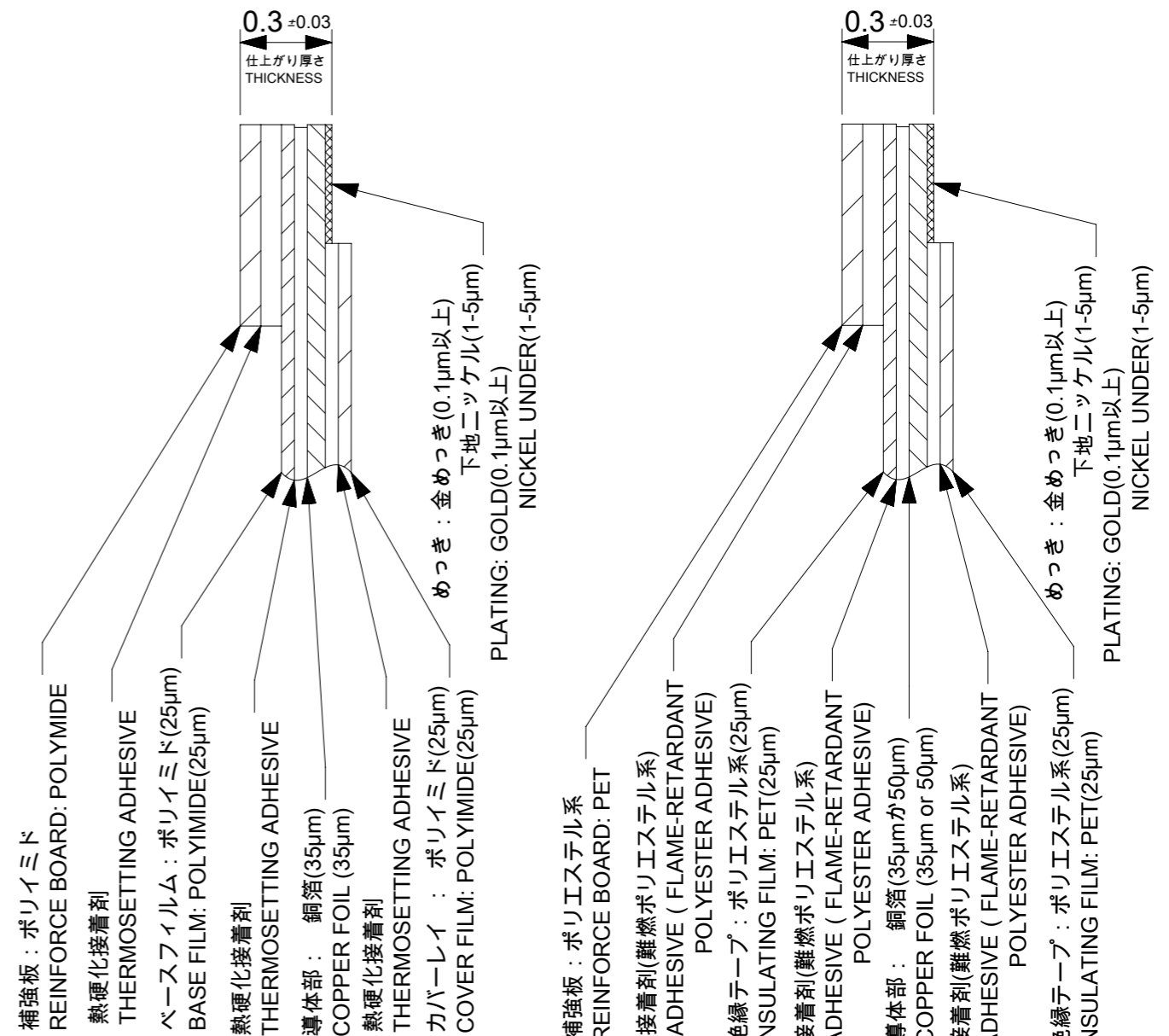
RECOMMENDED PUNCHING DIRECTION: FROM CONDUCTOR SIDE TO STIFFENER SIDE  
 RECOMMENDED CONDUCTOR SPEC: SOFT COPPER FOIL  
 RECOMMENDED CONDUCTOR THICKNESS: 35 MICROMETER OR 50 MICROMETER  
 PLEASE PUT APPROPRIATE AMOUNT OF ADHESIVE ON ADHEREND BECAUSE THERE IS  
 A POSSIBILITY THAT EXTRA ADHESIVE CAUSES THE DEFECT IN ELECTRICAL CONTINUITY  
 THE HEAT RESISTANCE OF FFC IS ONLY FFC SPEC  
 TO PREVENT THE CASE THAT RELIABILITY CANNOT BE SATISFIED (THE ADHESIVE IS  
 DETERIORATED etc.) PLEASE DO THE EVALUATION AND THE CONFIRMATION WITH  
 ACTUAL CONNECTER

**FPCについて**

補強フィルム材質はポリイミドを推奨します。ベースフィルムは25μmを推奨します。  
 接着剤は熱硬化接着剤を推奨します。

**ABOUT FPC**

RECOMMENDED STIFFENER MATERIAL: POLYIMIDE  
 RECOMMENDED BASE FILM THICKNESS: 25 MICROMETER  
 RECOMMENDED ADHESIVE: THERMOSETTING ADHESIVE



**FPC構成推奨仕様**  
**STRUCTURE OF FPC**

**FFC構成推奨仕様**  
**STRUCTURE OF FFC**

THIS DRAWING CONTAINS INFORMATION THAT IS PROPRIETARY TO MOLEX ELECTRONIC TECHNOLOGIES, LLC AND SHOULD NOT BE USED WITHOUT WRITTEN PERMISSION												
DIMENSION UNITS <b>mm</b>		SCALE <b>1:1</b>		CURRENT REV DESC: OBSOLETE PART NUMBER								
GENERAL TOLERANCES (UNLESS SPECIFIED)												
ANGULAR TOL ± 1.0 °												
4 PLACES ± 0.05		EC NO: 641324		2020/03/18		1.0 FFC CONN NON ZIF SMT ST ASSY						
3 PLACES ± 0.1		DRWN: AKUMAR19		2020/08/27								
2 PLACES ± 0.2		CHK'D: GGA		2020/08/27		PRODUCT CUSTOMER DRAWING						
1 PLACE ± 0.2		APPR: GGA		2020/08/27								
0 PLACES ± 0.2		INITIAL REVISION:		DOCUMENT NUMBER		DOC TYPE		DOC PART		REVISION		
DRAFT WHERE APPLICABLE MUST REMAIN WITHIN DIMENSIONS		THIRD ANGLE PROJECTION		DRAWING		SERIES		MATERIAL NUMBER		CUSTOMER	SHEET NUMBER	
				A3-SIZE		52808		528081002		PSD	000	B
								SEE TABLE		GENERAL		3 OF 3