

6

5

4

3

2

1

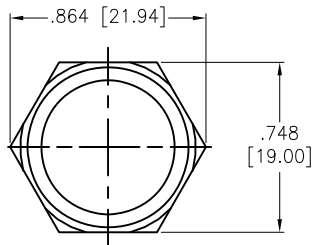
APPROVED: \_\_\_\_\_

DATE: \_\_\_\_\_ TITLE: \_\_\_\_\_

Rev	AWO #	Description	Date	Appr
-		RELEASED	11/24/20	

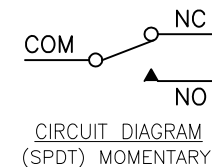
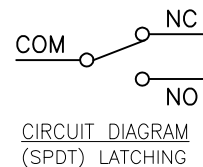
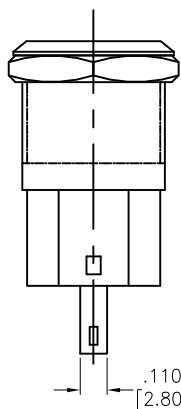
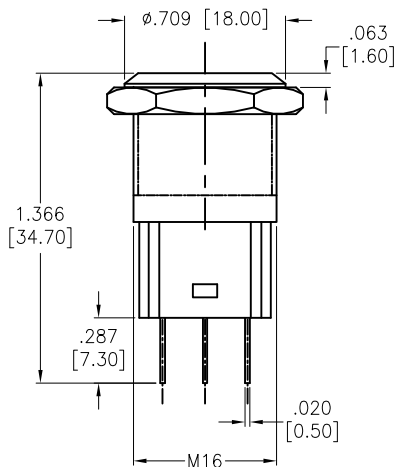
D

D



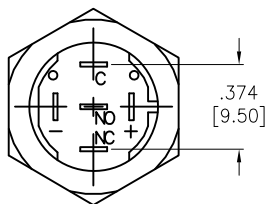
C

C



B

B



SW-PB2-2EX-A-L1  
 S= Momentary  
 Z= Latching

A

A

SPECIFICATIONS:

Material:  
 The crust material: Stainless steel, Copper plated Nickel  
 Electrical:  
 Switch Rating: 3A, 250VAC  
 Contact resistance: 30 mΩ max  
 Insulation resistance: 100 Mohms min (500VDC)  
 Dielectric withstanding voltage: 2000 VAC  
 Temperature Rating:  
 Operating temperature: -25°C to +55°C  
 Environmental:  
 Lead free, RoHS compliant



UNLESS OTHERWISE SPECIFIED ALL DIMENSIONS ARE INCHES [MM] TOLERANCES: EXCEPT AS NOTED		 909 Rahway Avenue, Union, NJ 07083 Phone: 908-687-5000 Fax: 908-687-5710	
INCHES HOLES			
.X ± .10	∅X ± .10	TITLE SWITCH, PUSH BUTTON, PLASTIC WATERPROOF SPDT, 1NO-1NC, SOLDER TYPE	
.XX ± .020	∅XX ± .015		
.XXX ± .015	∅XXX ± .010		
APPROVALS		DATE	
DRAWN	OW	11/24/20	
CHECKED	AC	11/24/20	
APPROVED			
SIZE	PART NO.	REV.	
X	SW-PB2-2EX-A-L1	-	
REF:	-	SCALE: NTS	SHEET 1 OF 1

6

5

4

3

2

1