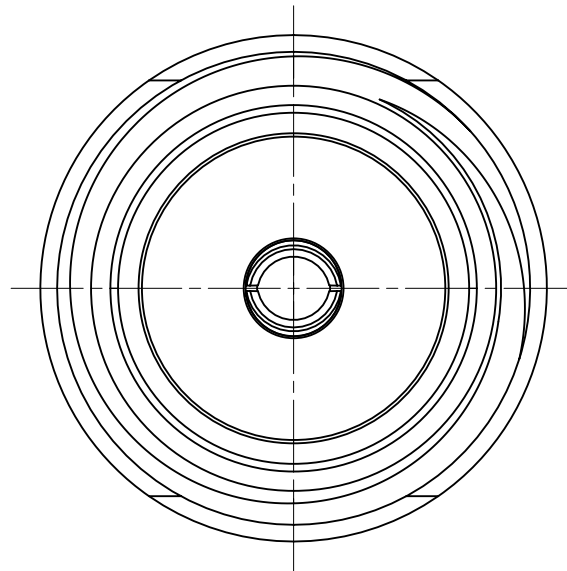
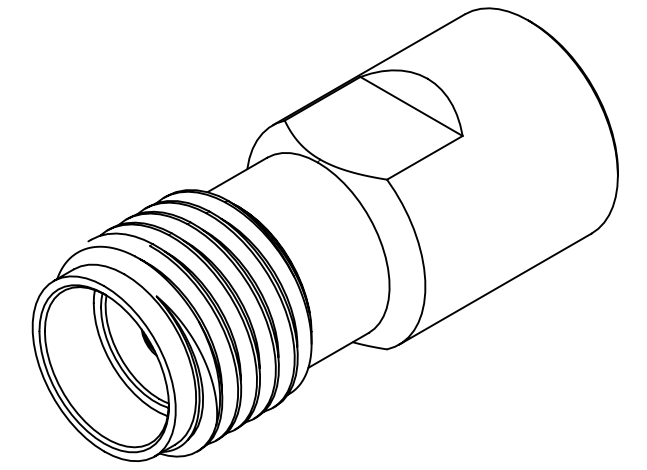


MATERIALS AND FINISHES:

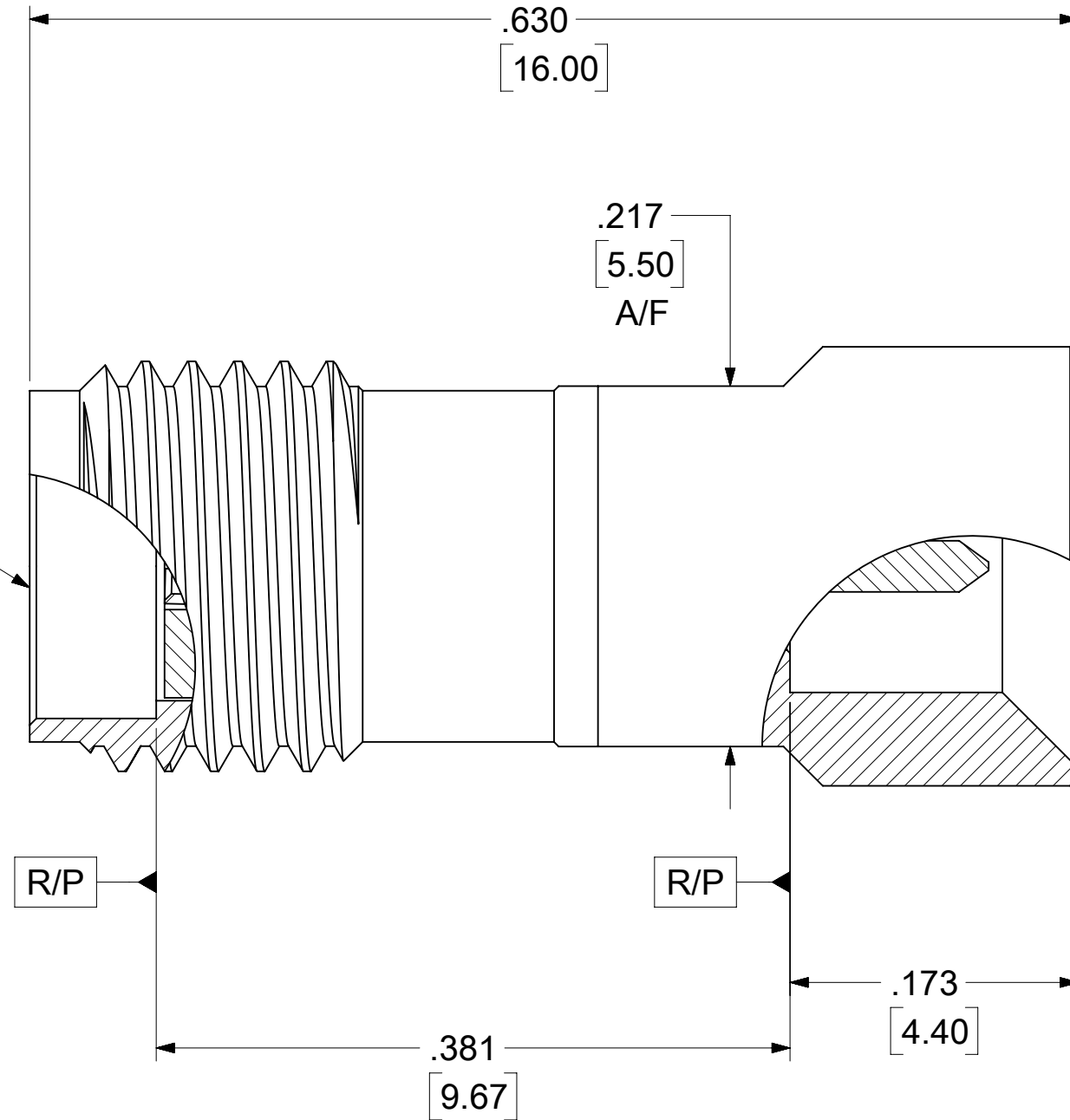
BODY: BRASS
PLATED GOLD

CENTER CONTACT: BERYLLIUM COPPER
PLATED GOLD

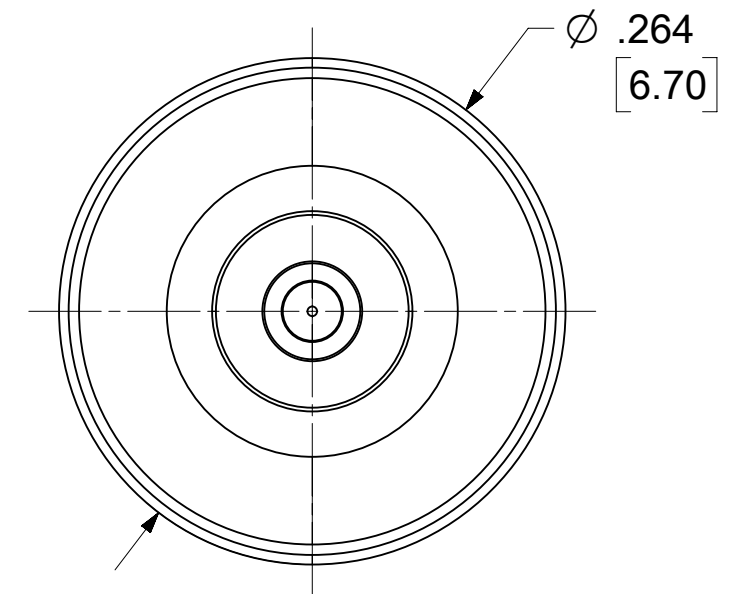
INSULATOR: TEFLON



SMA JACK



SMP-MAX
MALE
SLIDE-ON



73386-1570	TRAY	PK-89542-006
PART NO.	PACKAGING	PACKING SPEC

MIL-STD-348A, FIG. 310.2	SMA INTERFACE
SPECIFICATION	DESCRIPTION

FUNCTIONAL SYMBOLS $\nabla_A = 0$ $\nabla_C = 0$ $\nabla_P = 0$ DIVISIONAL SYMBOLS	THIS DRAWING CONTAINS INFORMATION THAT IS PROPRIETARY TO MOLEX ELECTRONIC TECHNOLOGIES, LLC AND SHOULD NOT BE USED WITHOUT WRITTEN PERMISSION	SCALE		CURRENT REV DESC: ADD PKG SPEC PER EWR15458-A							
	DIMENSION UNITS	IN/MM	NTS	GENERAL TOLERANCES (UNLESS SPECIFIED)							
	ANGULAR TOL	$\pm 2.0^\circ$		EC NO: 721925							
	4 PLACES	\pm		DRWN: CWEI02 2022/09/19							
3 PLACES	\pm		CHK'D: YCHENG 2022/09/20								
2 PLACES	\pm		APPR: YCHENG 2022/09/20								
1 PLACE	\pm		INITIAL REVISION:								
0 PLACES	\pm		DRWN: AROBERTSON 2011/09/19								
DRAFT WHERE APPLICABLE MUST REMAIN WITHIN DIMENSIONS			THIRD ANGLE PROJECTION		DRAWING	SERIES	MATERIAL NUMBER	CUSTOMER	DOC TYPE	DOC PART	REVISION
					C-SIZE	73386	SEE TABLE	GENERAL MARKET	PSD	001	A2
DOCUMENT STATUS			P1	RELEASE DATE	2022/09/20	16:04:23	SHEET NUMBER		1 OF 1		

molex

SMA JACK TO SMP-MAX
MALE SLIDE-ON BSA BSA-SMA/SMPMAX, EWR-4793

PRODUCT CUSTOMER DRAWING

DOCUMENT NUMBER: SD-73386-157

DOC TYPE: PSD

DOC PART: 001

REVISION: A2

CUSTOMER: GENERAL MARKET

SHEET NUMBER: 1 OF 1