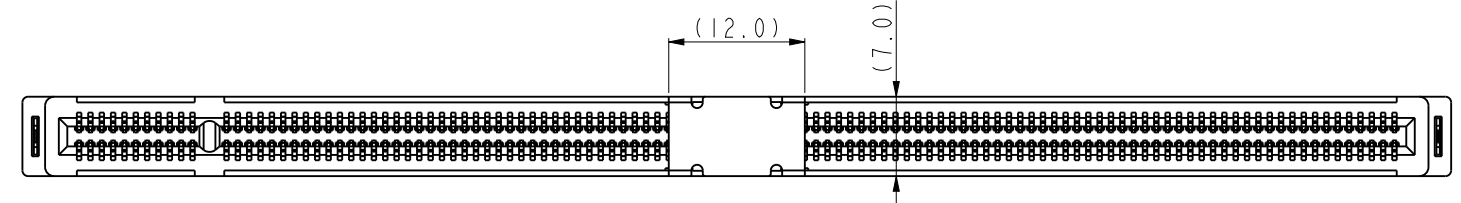


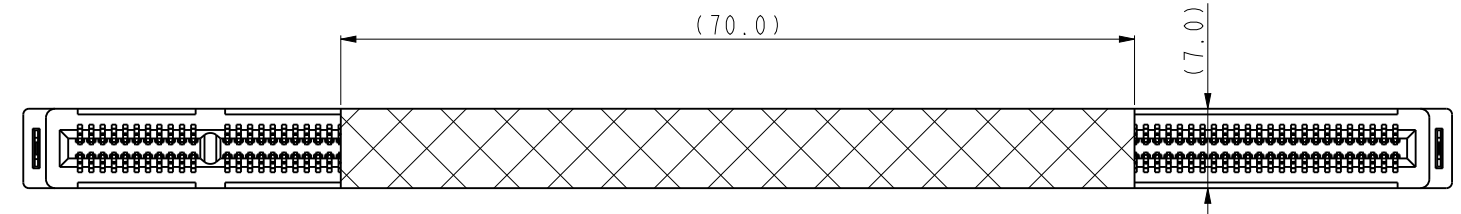
revision history				
rev	ecn no	description	dr	date
4	CD2021	UPDATE PLATING SPEC	JF	2020/05/30
5	CD2387	DETAILED THE PN SYSTEM	JF	2020/12/22
6	CD2675	UPDATE GOLD FINGER	JQ	2021/06/07

NOTE:

- MATERIAL:
HOUSING:HIGH TEMPERATURE THERMOPLASTIC;BLACK UL94V-0;HALOGEN FREE
CONTACT:COPPER ALLOY
BOARD LOCK:SPCC
- PLATING:
CONTACT:MATING AREA:SEE PN SYSTEM OVER 1.27-2.54UM NICKEL UNDERPLATED
SOLDER AREA:2.54UM MIN TIN OVER 1.27-2.54UM NICKEL UNDERPLATED
BOARD LOCK:2.54UM MIN TIN OVER 1.27-2.54UM NICKEL UNDERPLATED
- ELECTRICAL PERFORMANCE:
RATED CURRENT FOR SIGNAL PIN:0.7A/PIN
RATED CURRENT FOR POWER PIN:1.1A/PIN(A2/A3/A9/A10/B1/B2/B3/B8/,TOTAL 8PIN)
- MATERIAL IS COMPLIANT TO RoHS
- TRANSMISSION SPEED:
PCIe Gen4/16Gbps:OPEN PIN FIELD DESIGN
PCIe Gen5/32Gbps:CONFORM TO PCIe CEM SPECIFICATION AND CONFIRM WITH AMPHENOL FOR TECHICAL SUPPORTER
- ORDERING PART NUMBER:REFER TO THE PART NUMBER SYSTEM



TOP VIEW WITH PICK CAP
(T=0.25mm)



TOP VIEW WITH MYLAR
(T=0.15mm)

PART NUMBER SYSTEM
CEE0230X014XXXX

PIN COUNT
230: 230PIN

PICK CAP & MYLAR
0: WITH CAP
1: WITH MYLAR

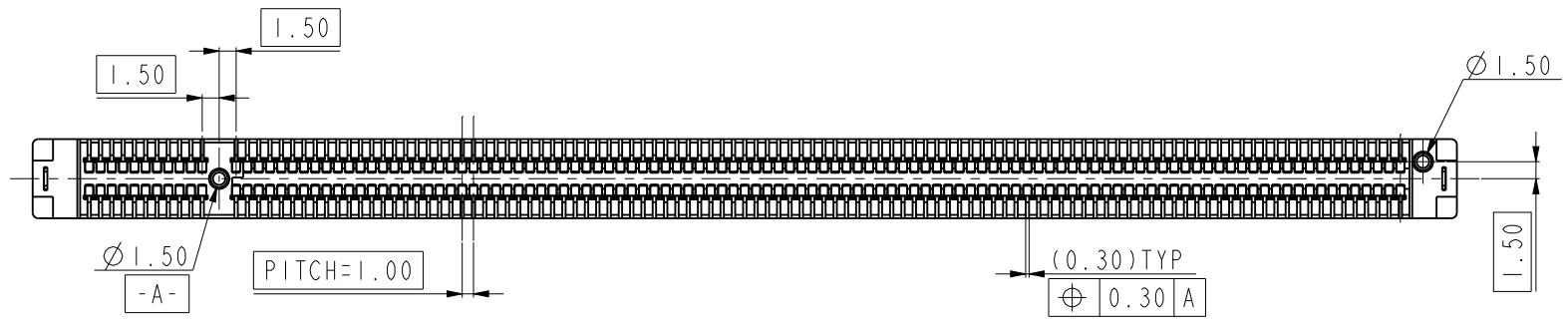
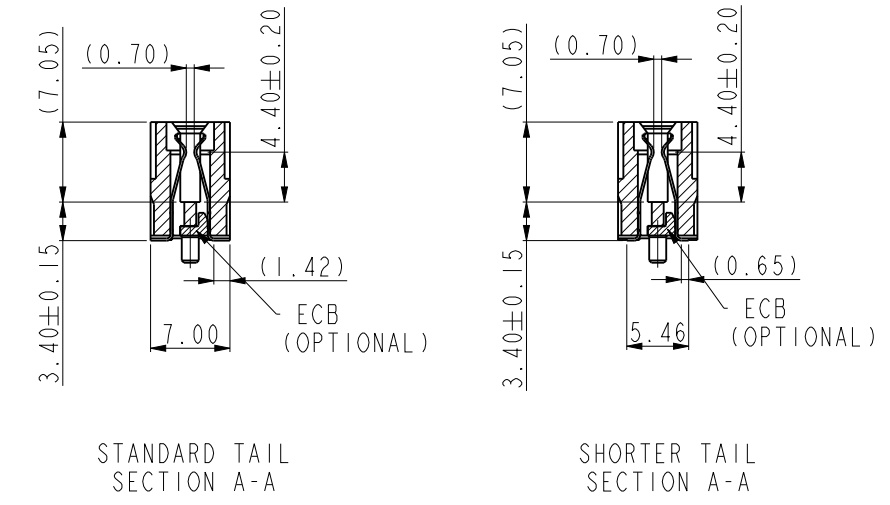
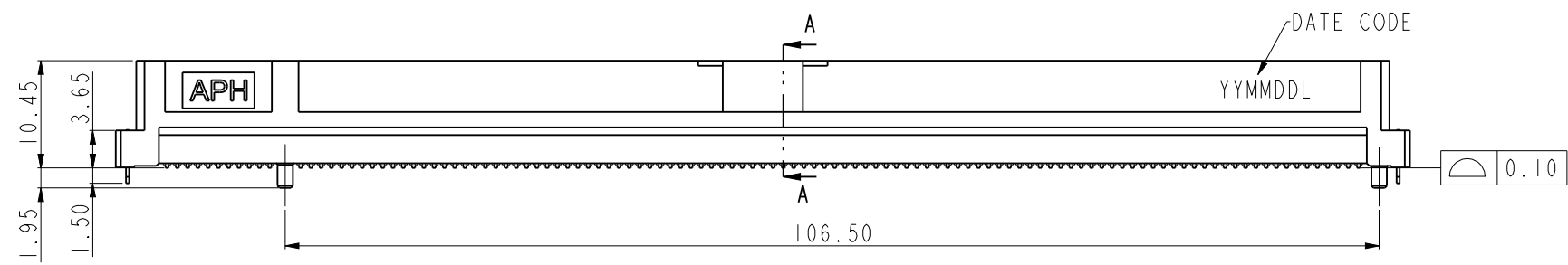
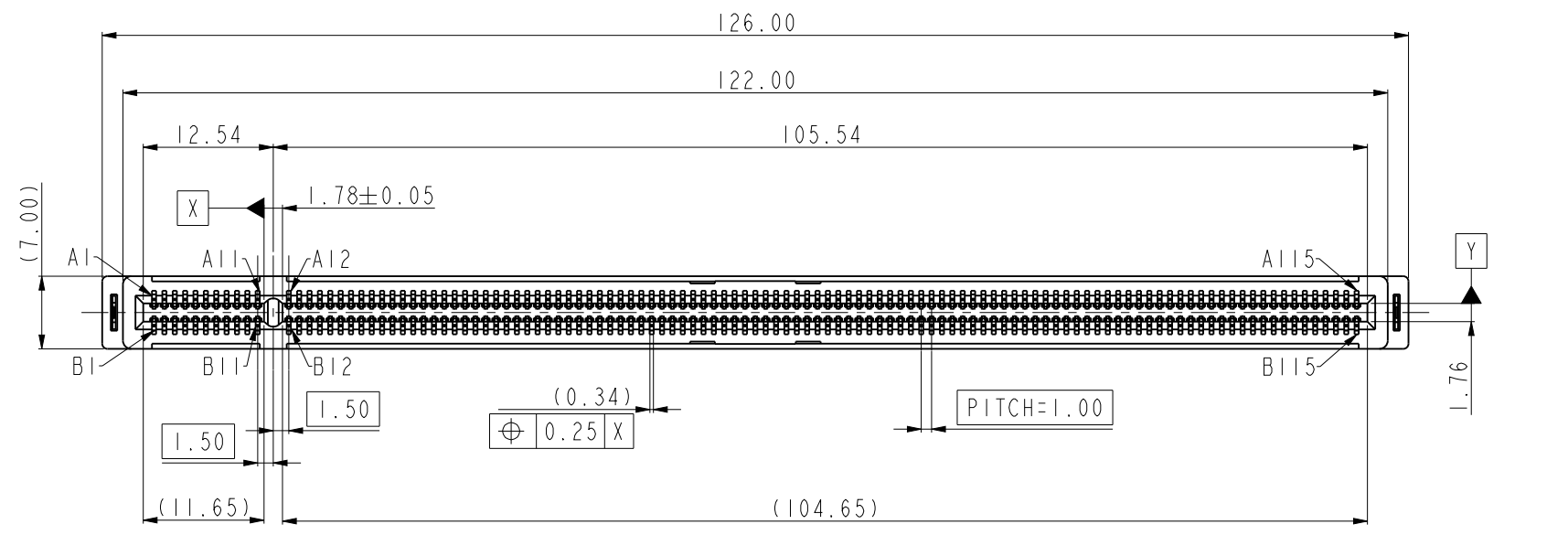
PACKING TRAY
0: BLISTER TRAY (320x230mm T=2mm)
1: BLISTER TRAY (330x120mm T=2mm)

PLATING SPEC
1: Au 0.76UM(30u")
2: Au 0.38UM(15u")
3: Gold Flash
4: GXT

TRANSMISSION SPEED
0: PCIe Gen5/32Gbps
1: PCIe Gen4/16Gbps

SOLDER TAIL OPTION
2: STANDARD TAIL
3: SHORTER TAIL

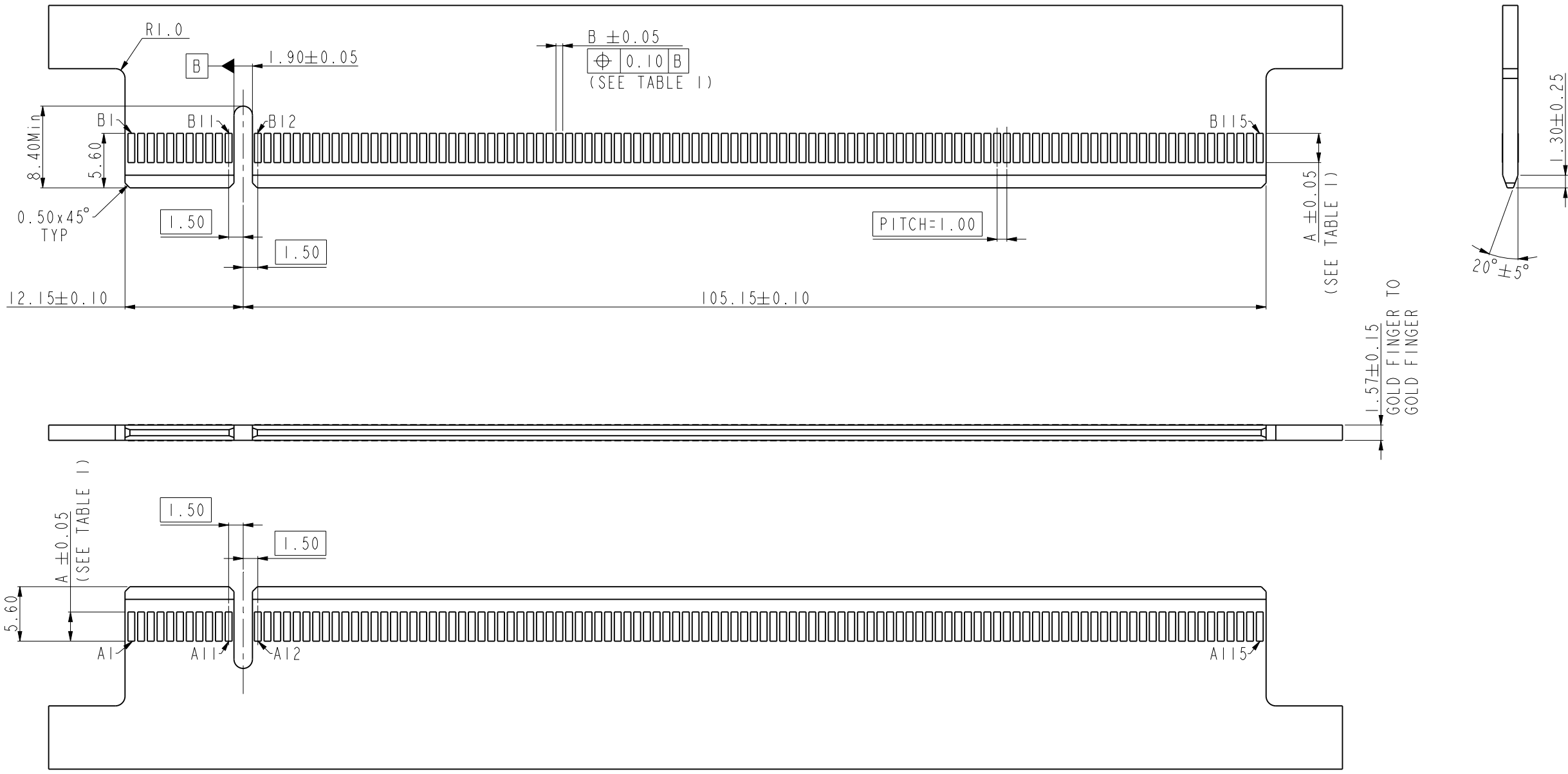
spec ref		dr	JERRY.OU	Jun.07,2021	Amphenol	mm	scale	1:1	size	A3			
tolerance std		eng	JERRY.OU	Jun.07,2021		ecn no	CD2675						
TOLERANCES UNLESS OTHERWISE SPECIFIED		rivr				rel level	RELEASED						
surface	linear	0.X	±0.25	projection	PCIe COOL EDGE CONNECTOR	cat. no.	C CEE0230X014XXXX				rev	6	
		0.XX	±0.20				1.0mm PITCH,X24,Gen4 & Gen5				product family	PCIe COOL EDGE	sheet 1 of 5
		0.XXX	±0.15										
	angular	0°	±5°										



GND PIN DEFINITION
(REFER TO PCIe CEM SPEC AND CONFIRM WITH AMPHENOL)

SIDE A GND PIN	A12, A15, A18, A20, A23, A24, A27, A28, A31, A34, A37, A38, A41, A42, A45, A46, A49, A51, A54, A55, A58, A59, A62, A63, A66, A67, A70, A71, A74, A75, A78, A79, A82
SIDE B GND PIN	B13, B16, B18, B21, B22, B25, B26, B29, B32, B35, B36, B39, B40, B43, B44, B47, B49, B52, B53, B56, B57, B60, B61, B64, B65, B68, B69, B72, B73, B76, B77, B80

spec ref	dr	JERRY.OU	Jun. 07, 2021	Amphenol	mm	scale	1:1	size	A3	
tolerance std	eng	JERRY.OU	Jun. 07, 2021		ecn no	CD2675				
TOLERANCES UNLESS OTHERWISE SPECIFIED					amphenol-icc.com	rel level	RELEASED			
surface	linear	0.X	±0.25		projection	PCIe COOL EDGE CONNECTOR		cat. no.	C CEE0230X014XXXX	rev
		0.XX	±0.20		1.0mm PITCH, X24, Gen4 & Gen5					
		0.XXX	±0.15		product family	PCIe COOL EDGE		sheet 2 of 5		
	angular	0°	±5°							



RECOMMENDED LAY OUT FOR MATING CARD, THICKNESS= 1.57 ± 0.15 mm
GENERAL TOLERANCE ± 0.05

TABLE 1

ITEM/DIM	A (Gold Finger Length)	B (Gold Finger Width)
PCIe Gen4	3.91 ± 0.05 3.20 ± 0.05 (A1 and B81)	0.70 ± 0.05
PCIe Gen5	3.00 ± 0.05	0.60 ± 0.05

spec ref	dr	JERRY.OU	Jun. 07, 2021	Amphenol	mm	scale	1:1	size	A3
tolerance std	eng	JERRY.OU	Jun. 07, 2021		ecn no	CD2675			
surface	TOLERANCES UNLESS OTHERWISE SPECIFIED	r vwr			amphenol-icc.com	rel level	RELEASED		
		appr			PCIe COOL EDGE CONNECTOR	cat. no.	C CEE0230X014XXXX		
linear	0.X	± 0.10	projection	1.0mm PITCH, X24, Gen4 & Gen5	rev	6			
angular	0°	$\pm 5^\circ$	product family	PCIe COOL EDGE	sheet 3 of 5				

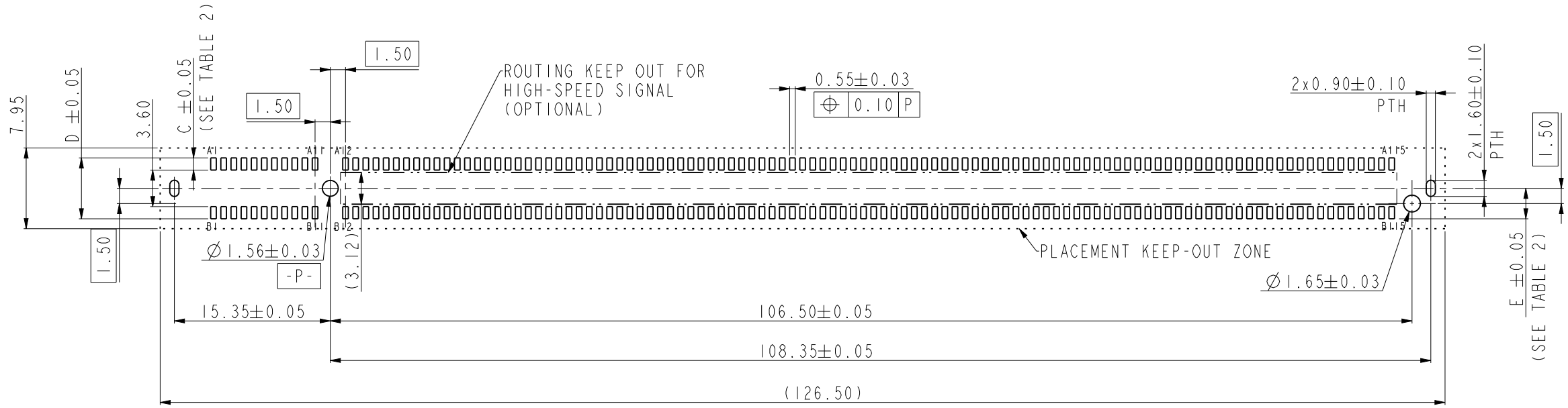
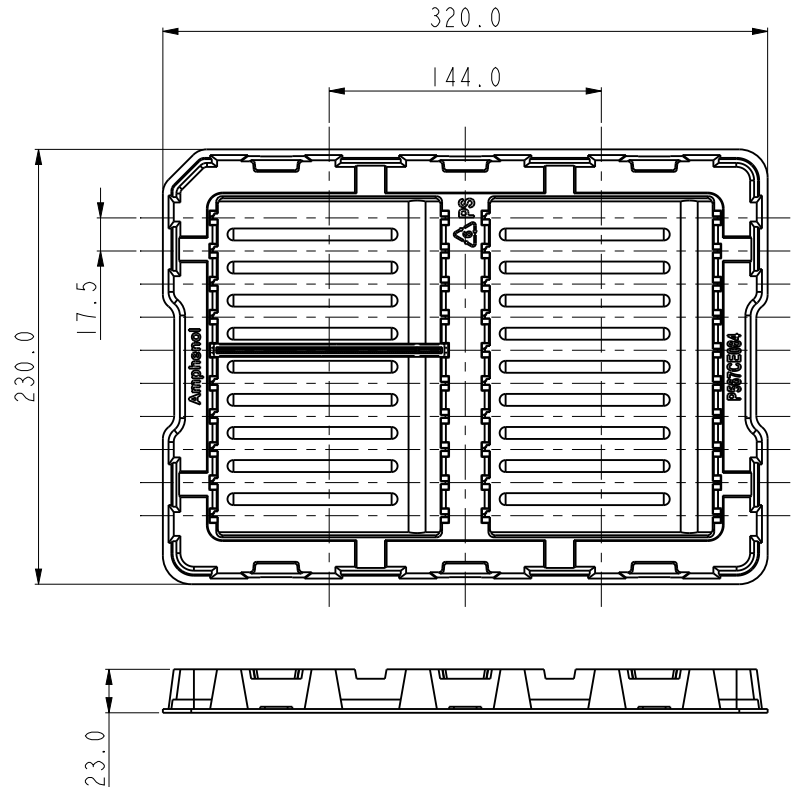


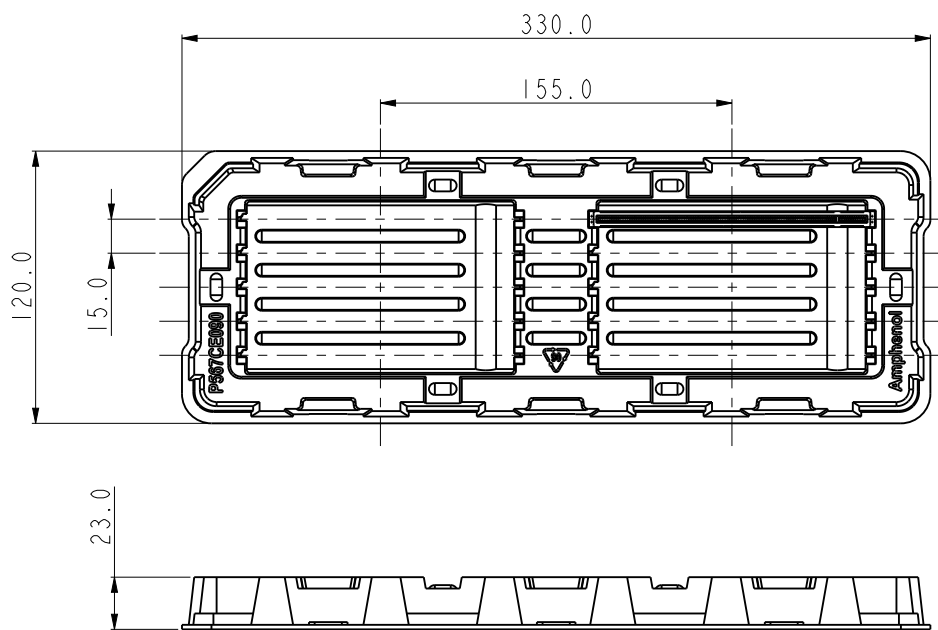
TABLE 2

ITEM/DIM	C (Pad Length)	D	E
SHORTER TAIL	1.20	6.00	3.00
STANDARD TAIL	1.90	7.40	3.70

spec ref		dr	JERRY.OU	Jun. 07, 2021	Amphenol	mm	scale	1:1	size	A3	
tolerance std		eng	JERRY.OU	Jun. 07, 2021		ecn no	CD2675				
TOLERANCES UNLESS OTHERWISE SPECIFIED		rvwr				amphenol-icc.com		rel level			RELEASED
		appr									
surface	linear	0.X	±0.10	projection	PCIe COOL EDGE CONNECTOR	+/-	cat. no.	C CEE0230X014XXXX		rev	6
		0.XX	±0.05								
		0.XXX	±0.03								
	angular	0°	±5°	product family	PCIe COOL EDGE		sheet 4 of 5				



PART NUMBER SYSTEM
PACKING TRAY CODE: 0



PART NUMBER SYSTEM
PACKING TRAY CODE: 1

PART NUMBER SYSTEM PACKING CODE	TRAY SIZE (LxWxH)	QTY (PCS/TRAY)	QTY (PCS/CARTON)	NOTE
0	320x230x23	20	200	ANTI-STATIC PS,BLACK,T=2.00;BLISTER TRAY
1	330x120x23	10	160	ANTI-STATIC PS,BLACK,T=2.00;BLISTER TRAY

spec ref	dr	JERRY.OU	Jun. 07, 2021	<h1>Amphenol</h1>	mm	scale	1:1	size	A3	
tolerance std	eng	JERRY.OU	Jun. 07, 2021		ecn no	CD2675				
TOLERANCES UNLESS OTHERWISE SPECIFIED	r vwr				rel level	RELEASED				
	appr				amphenol-icc.com					
surface	linear	0.X	±3.0	projection	PCIe COOL EDGE CONNECTOR 1.0mm PITCH, X24, Gen4 & Gen5	cat. no.	C CEE0230X014XXXX		rev	6
		0.XX	±2.0			product family	PCIe COOL EDGE		sheet 5 of 5	
	angular	0°	±5°							