

THIS DRAWING IS UNPUBLISHED. RELEASED FOR PUBLICATION  
 © COPYRIGHT - By - ALL RIGHTS RESERVED.

REVISONS		DATE	DWN	APVD
P	LTR	DESCRIPTION		
	A1	REVISED PER ECO-11-004820	11MAR11	RK HMR

SPECIFICATIONS:

MATERIALS:

CASE: THERMOSET.  
 ACTUATOR BUTTON: THERMOPLASTIC MSPF-101B: COLOR: BLACK  
 MSPF-101C: COLOR: RED.  
 MOVING CONTACT: COPPER ALLOY, SILVER PLATE.  
 FIXED CONTACT: COPPER ALLOY, SILVER PLATE.  
 TERMINALS: COPPER ALLOY, SILVER PLATE.  
 TERMINAL SEAL: EPOXY.

ELECTRICAL:

CONTACT RATING: 0.5 AMPS AT 125 VAC.  
 INITIAL CONTACT RESISTANCE: 100 MILLIOHMS.  
 INSULATION RESISTANCE: 1,000 MEGOHMS MIN.  
 DIELECTRIC STRENGTH: 1000V RMS AT SEA LEVEL.  
 LIFE EXPECTANCY: 10,000 CYCLES.

MECHANICAL:

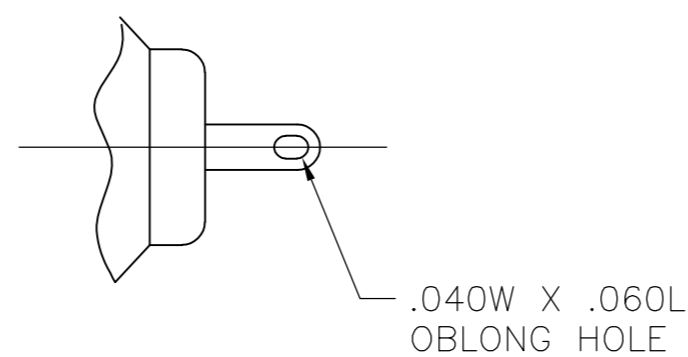
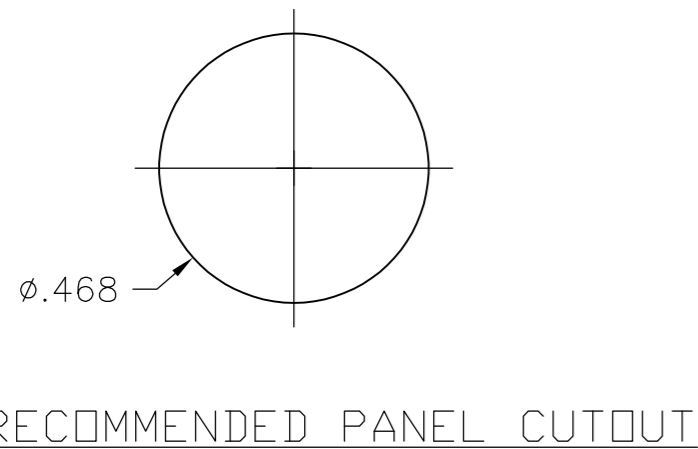
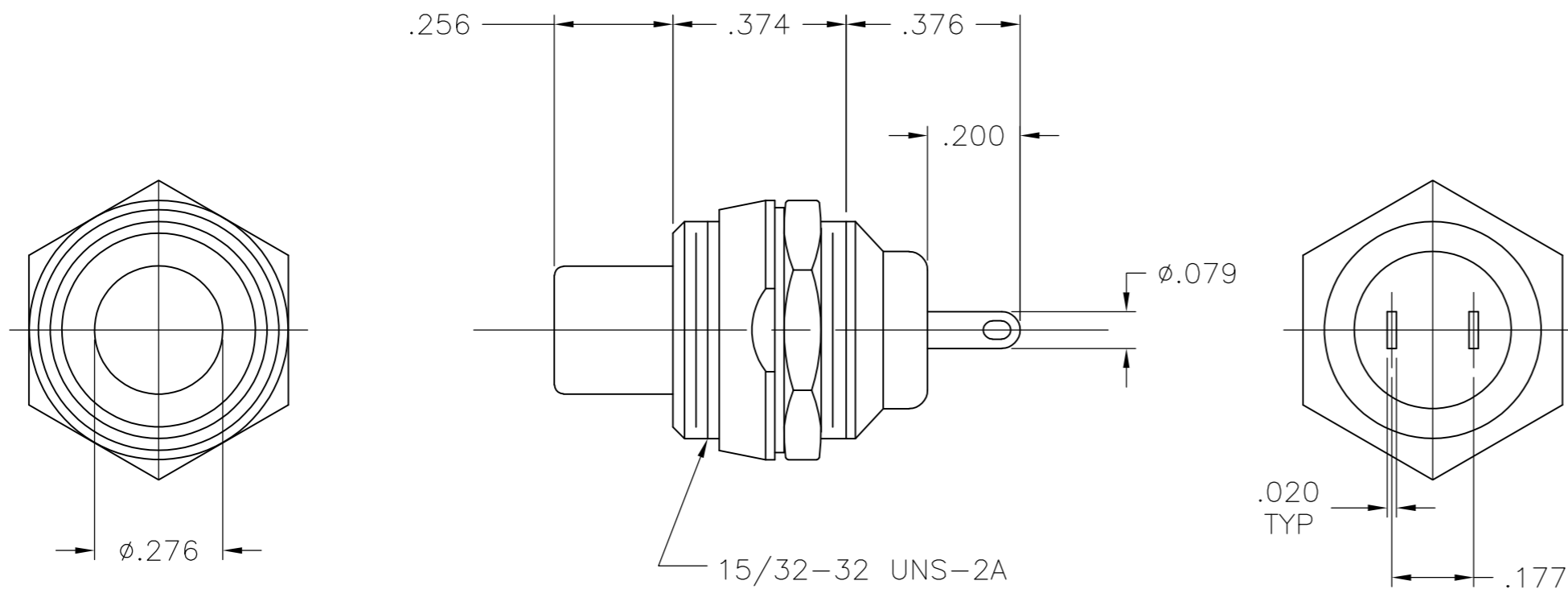
ACTUATION TRAVEL: .098.

ENVIRONMENTAL:

OPERATING TEMPERATURE: -4°F TO +176°F(-20°C TO +80°C).  
 STORAGE TEMPERATURE: -4°F TO +176°F(-20°C TO +80°C).

NOTES:

1. INTERPRET DRAWING PER ASME Y14.5M-1994.
2. SUPPLIED WITH MOUNTING HARDWARE:  
 (1) WASHER  
 (1) N-35 DECORATIVE NUT  
 (1) HEX NUT.
3. RECOMMENDED HAND SOLDER TEMP. OF 420C FOR 5 SECONDS.



TERMINAL DETAIL



CIRCUIT DIAGRAM

NORMALLY OPEN	SPST	MSPF-101C	9-1437567-3
NORMALLY CLOSED	SPST	MSPF-101B	8-1437567-8
ACTION	TYPE	MODEL NO.	PART NUMBER

THIS DRAWING IS A CONTROLLED DOCUMENT.		DWN	11JAN2008	<b>TE</b> TE Connectivity	
DIMENSIONS: INCHES		CHK	1/16/08		
TOLERANCES UNLESS OTHERWISE SPECIFIED:		M WILBOURN		NAME	
0 PLC ± -		APVD		M WILBOURN	
1 PLC ± -		1/16/08		PRODUCT SPEC	
2 PLC ± -		MATERIAL		APPLICATION SPEC	
3 PLC ± .010		FINISH		SCALE	
4 PLC ± -		WEIGHT		SHEET	
ANGLES ± 1°		CUSTOMER DRAWING		REV	
MATERIAL		SIZE		RESTRICTED TO	
FINISH		CAGE CODE		A1	
		DRAWING NO.		8-1437567-8	
		WEIGHT		1 of 1	
		SCALE		NTS	
		SHEET		1 of 1	
		REV		A1	