

MATERIALS AND FINISHES

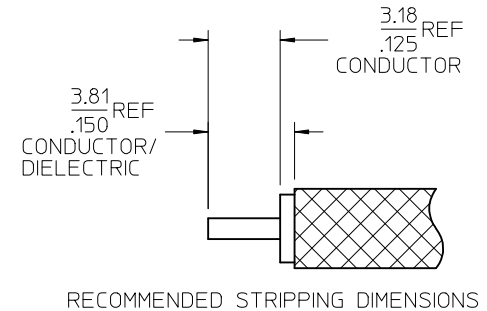
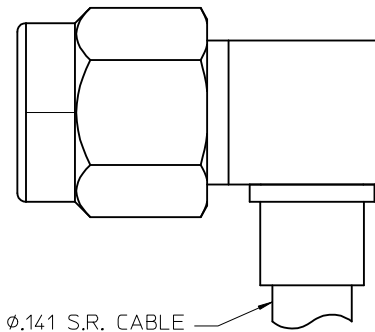
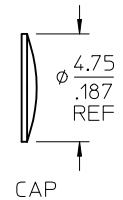
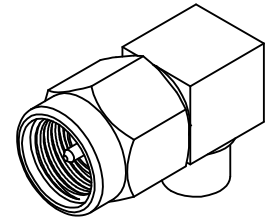
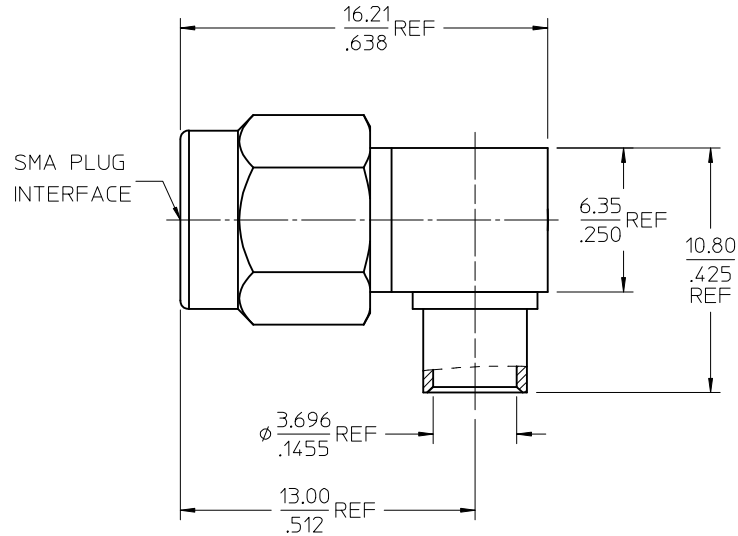
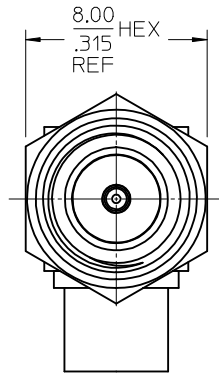
BODY, CAP, COUPLING NUT: BRASS
FINISH: SEE TABLE

CENTER CONTACT: BERYLLIUM COPPER
FINISH: GOLD

INSULATOR: TEFLON

RETAINING RING: BERYLLIUM COPPER

GASKET: SILICONE RUBBER



73251-0553	GOLD	NICKEL	NICKEL	TRAY
73251-0552	GOLD	GOLD	GOLD	-0551 ONE PER BAG
73251-0551	GOLD	GOLD	GOLD	TRAY
73251-0550	NICKEL	NICKEL	NICKEL	TRAY
PART NO.	BODY	CAP	COUPLING NUT	PACKAGING

CHG:ADDED -0553 PER PDR15072025 IEC NO: URF2016-0113 DRW:RYEH 2015/08/13 CHKD: APPR:YCHENG 2015/08/21 A8	QUALITY SYMBOLS ∇=0 ∇=0 ∇=0	GENERAL TOLERANCES (UNLESS SPECIFIED) mm INCH 4 PLACES ± --- ± --- 3 PLACES ± --- ± --- 2 PLACES ± --- ± --- 1 PLACE ± --- ± --- 0 PLACE ± ± ANGULAR ± 2 ° DRAFT WHERE APPLICABLE MUST REMAIN WITHIN DIMENSIONS	DIMENSION STYLE MM/IN DRAWN BY DATE TEF 2000/05/24 CHECKED BY DATE SSS 2000/05/24 APPROVED BY DATE GMH 2000/05/24	SCALE 6:1 DESIGN UNITS METRIC THIRD ANGLE PROJECTION	TITLE SMA PLUG,R/A FOR .141 SR CABLE, 50 OHMS SMA-PC/RA, EWR-3594 molex DOCUMENT NO. SD-73251-055 SHEET NO. 1 OF 1
	MATERIAL NO. SEE TABLE		THIS DRAWING CONTAINS INFORMATION THAT IS PROPRIETARY TO MOLEX INCORPORATED AND SHOULD NOT BE USED WITHOUT WRITTEN PERMISSION		

MATERIALS AND FINISHES

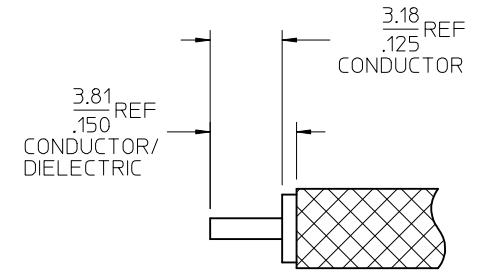
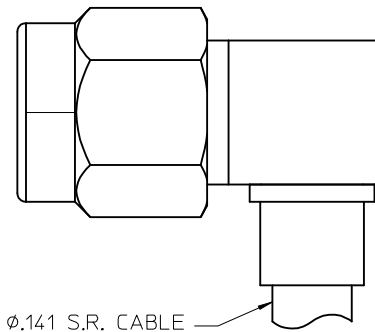
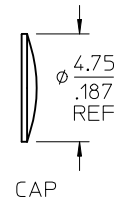
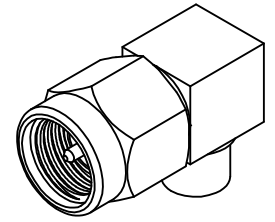
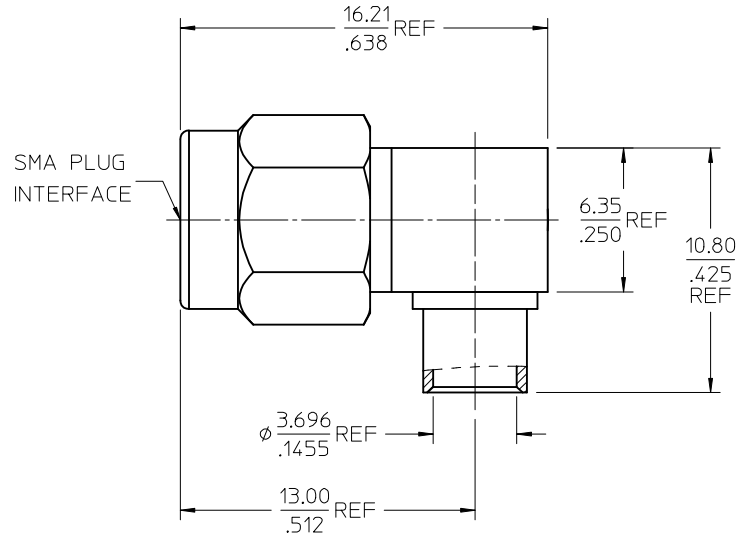
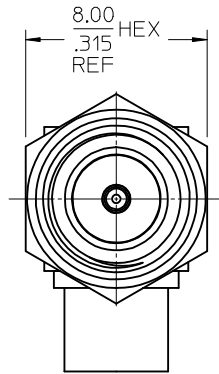
BODY, CAP, COUPLING NUT: BRASS
FINISH: SEE TABLE

CENTER CONTACT: BERYLLIUM COPPER
FINISH: GOLD

INSULATOR: TEFLON

RETAINING RING: BERYLLIUM COPPER

GASKET: SILICONE RUBBER



RECOMMENDED STRIPPING DIMENSIONS

73251-0553	GOLD	NICKEL	NICKEL	TRAY
73251-0552	GOLD	GOLD	GOLD	-0551 ONE PER BAG
73251-0551	GOLD	GOLD	GOLD	TRAY
73251-0550	NICKEL	NICKEL	NICKEL	TRAY
PART NO.	BODY	CAP	COUPLING NUT	PACKAGING

CHG:ADDED -0553 PER PDR15072025 IEC NO: URF2016-0113 DRW:RYEH 2015/08/13 CHKD: APPR:YCHENG 2015/08/21	QUALITY SYMBOLS ∇=0 ∇=0 ∇=0	GENERAL TOLERANCES (UNLESS SPECIFIED) mm INCH 4 PLACES ± --- ± --- 3 PLACES ± --- ± --- 2 PLACES ± --- ± --- 1 PLACE ± --- ± --- 0 PLACE ± ±	DIMENSION STYLE MM/IN DRAWN BY DATE TEF 2000/05/24 CHECKED BY DATE SSS 2000/05/24 APPROVED BY DATE GMH 2000/05/24	SCALE 6:1 DESIGN UNITS METRIC THIRD ANGLE PROJECTION	TITLE SMA PLUG,R/A FOR .141 SR CABLE, 50 OHMS SMA-PC/RA, EWR-3594 molex	MATERIAL NO. SEE TABLE SIZE C	DOCUMENT NO. SD-73251-055	SHEET NO. 1 OF 1
	ANGULAR ± 2 °		DRAFT WHERE APPLICABLE MUST REMAIN WITHIN DIMENSIONS		THIS DRAWING CONTAINS INFORMATION THAT IS PROPRIETARY TO MOLEX INCORPORATED AND SHOULD NOT BE USED WITHOUT WRITTEN PERMISSION			
	A8							