

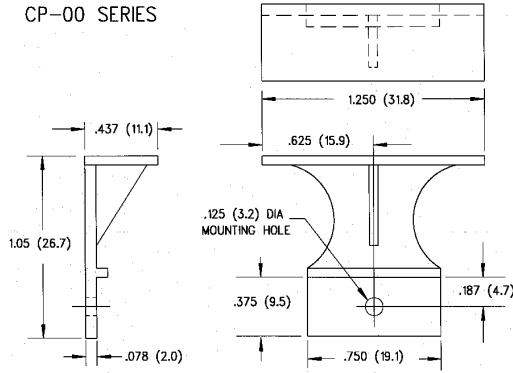


CARD-O-PULL™

Printed Circuit Board Card Ejectors & Handles

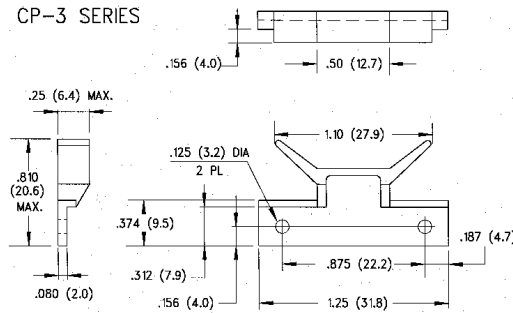


CP-00 SERIES



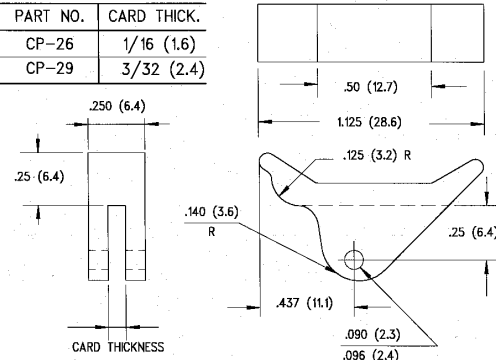
No pin WE for white or specify color

CP-3 SERIES



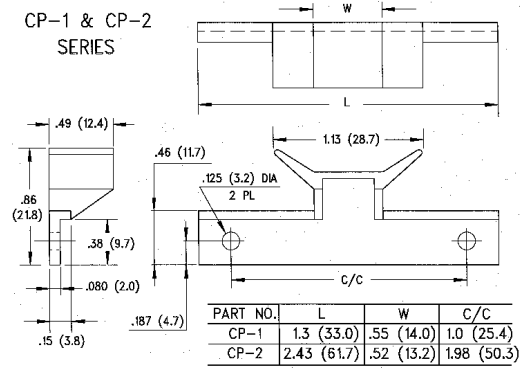
No pins WE for white or specify color

PART NO.	CARD THICK.
CP-26	1/16 (1.6)
CP-29	3/32 (2.4)



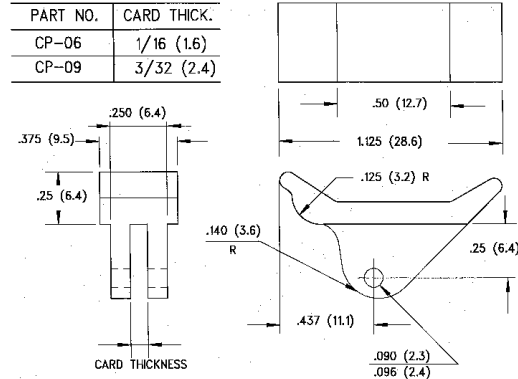
RP-250 pin WE for white or specify color

CP-1 & CP-2 SERIES



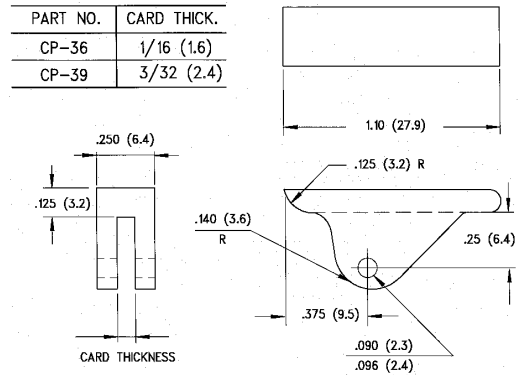
No pins WE for white or specify color

PART NO.	CARD THICK.
CP-06	1/16 (1.6)
CP-09	3/32 (2.4)



RP-250 pin WE for white or specify color

PART NO.	CARD THICK.
CP-36	1/16 (1.6)
CP-39	3/32 (2.4)

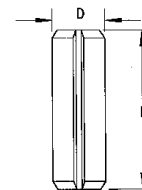


RP-250 pin WE for white or specify color

Spring Pins

Part No.	L	D
RP-250*	1/4 (6.4)	3/32 (2.4)
RP-312	5/16 (8.0)	3/32 (2.4)
RP-375	3/8 (9.5)	1/8 (3.2)

*Works with the CPT-1 handtool



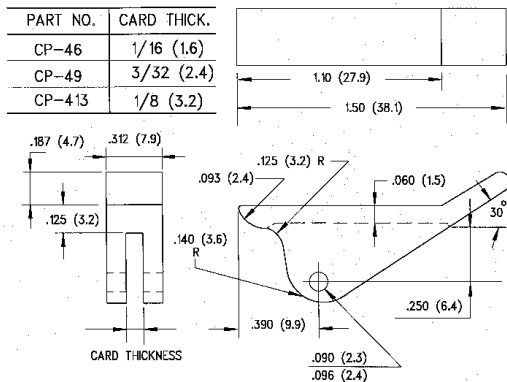
CARD-O-PULL™

Printed Circuit Board Card Ejectors & Handles

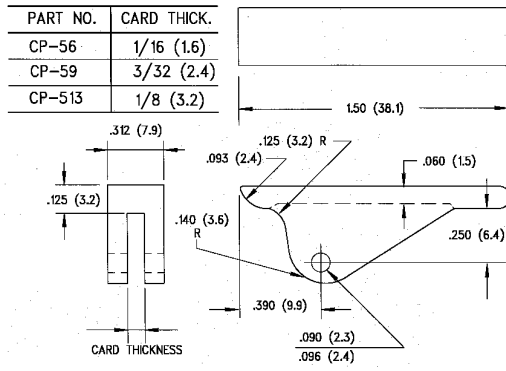
Bivar

CARD-O-PULL™

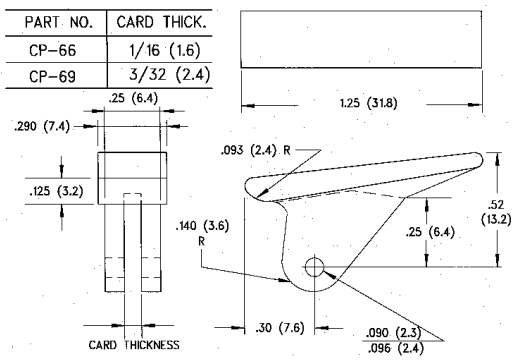
PRINTED CIRCUIT BOARD CARD EJECTORS & HANDLES



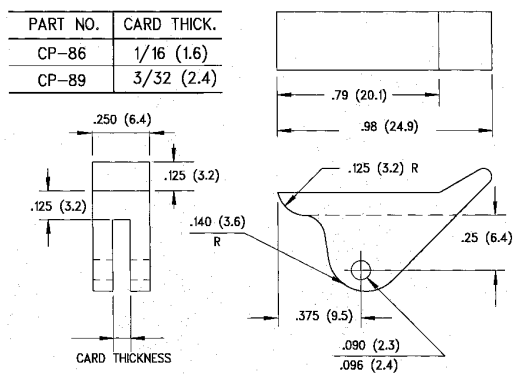
RP-312 pin WE for white or specify color



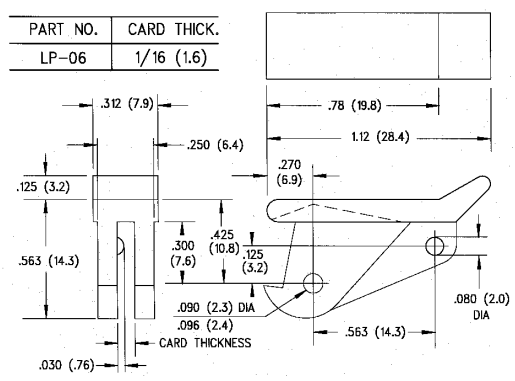
RP-312 pin WE for white or specify color



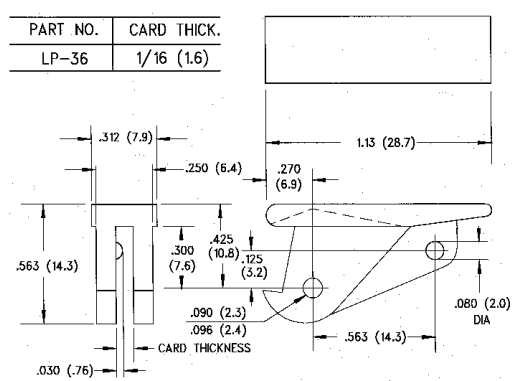
RP-250 pin WE for white or specify color



RP-250 pin WE for white or specify color



RP-250 pin WE for white or specify color



RP-250 pin WE for white or specify color

Material Specifications:
 White Nylon, per ASTM D 4066 PA111 U.L. Rated 94V-2
 Oxygen Rating Index: Over 28%
 Standard Drawing Tolerances, unless otherwise indicated:
 Fractions: = ± 1/64 (.40)
 .X = ± 1/64 (.40) .XX = ± .010 (.254) .XXX = ± .005 (.127)
NOTE: Passivated Stainless Steel Spring Pins per MIL-P-10971
 furnished with each Ejector or Inserter/Extractor.