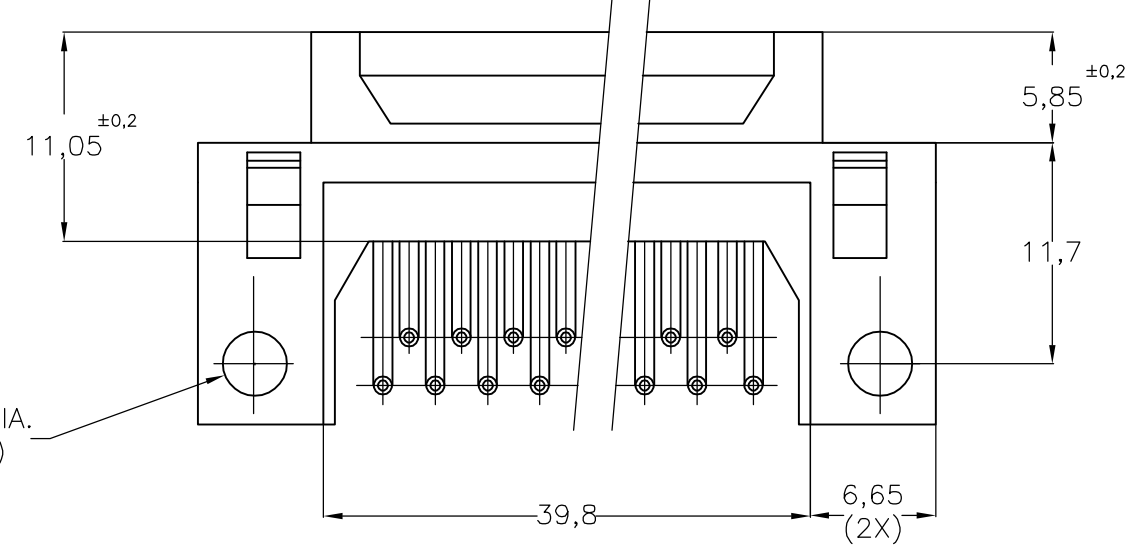
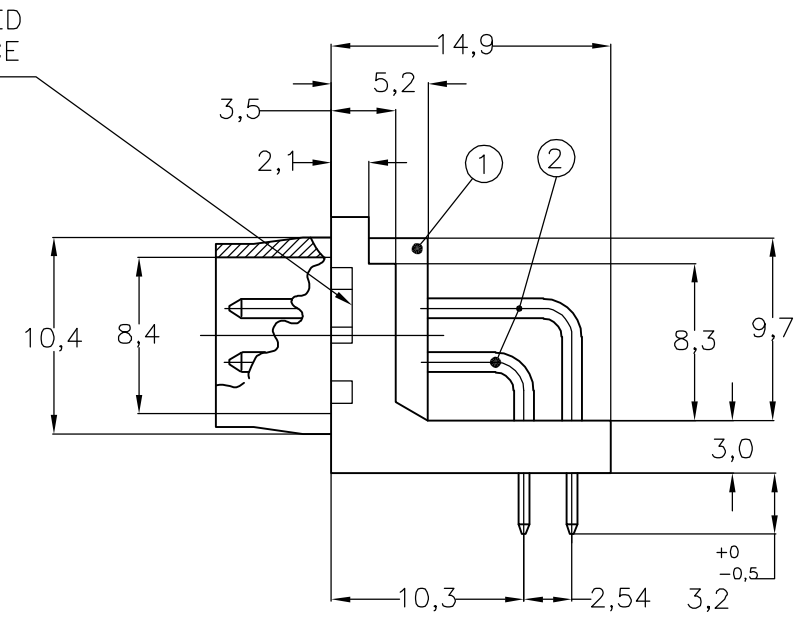
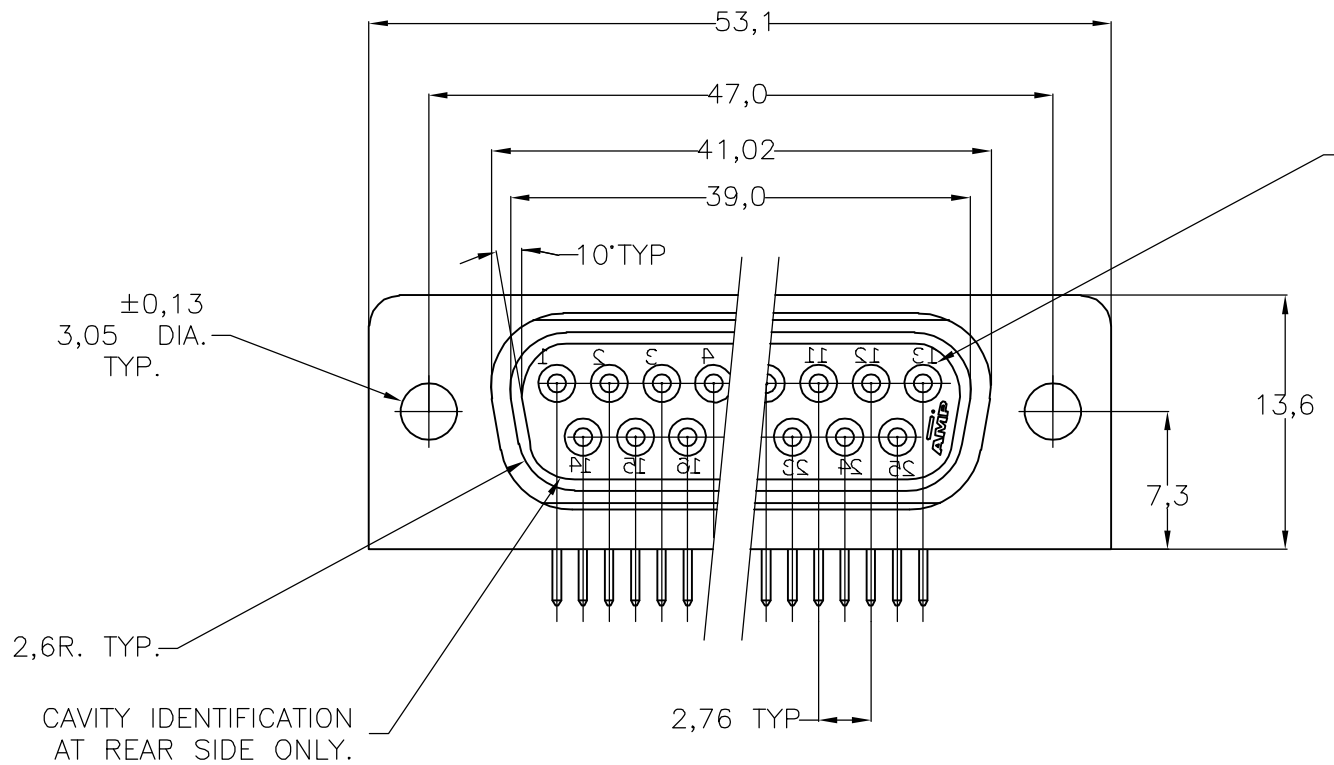
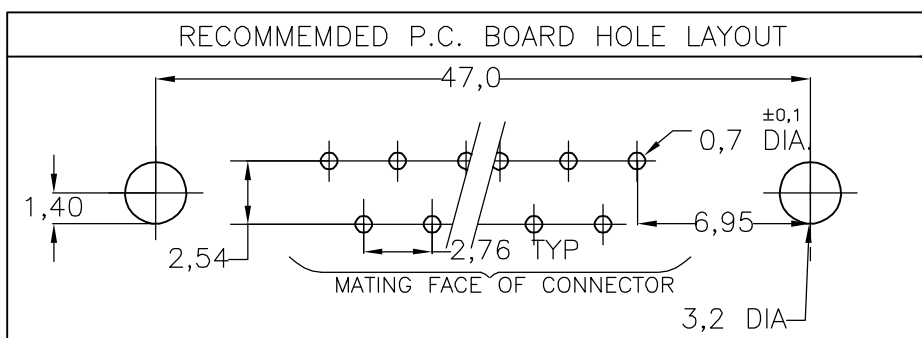


THIS DRAWING IS UNPUBLISHED. RELEASED FOR PUBLICATION
 © COPYRIGHT - BY TYCO ELECTRONICS CORPORATION. ALL RIGHTS RESERVED.

| LOC | DIST | REVISIONS | | | | | |
|-----|------|-----------|-----|---------------|----------|------|------|
| | | P | LTR | DESCRIPTION | DATE | DWN | APVD |
| - | - | | G | EHCO-0317-04 | 10-06-04 | JvdH | - |
| | | | H | EHCO-0357-04 | 24-06-04 | JvdH | - |
| | | | J | ECR-07-002492 | 12-02-07 | BSV | MK |



- NOTES:
- HOUSING: BLACK GLASSFILLED POLYESTER.
 - CONTACT MATERIAL: BRASS.
 PLATING: UNDERCOATING: 1,3um Ni.
 SELECTIVE: 1,3um Au.
 SOLDER PART: 2,5um BRIGHT TIN.



| | | | | |
|--|--|-----------------------|--|-----------------|
| THIS DRAWING IS A CONTROLLED DOCUMENT. | | DWN P.BEIJNON 03JAN90 | Tyco Electronics Corporation s-HertogenBosch, Nederlands, | |
| DIMENSIONS: MM | | CHK R.FIJTEN 10MAY00 | NAME | |
| TOLERANCES UNLESS OTHERWISE SPECIFIED: | | APVD R.FIJTEN 10MAY00 | 25 POS. HDP-20 PLUG ASS'Y | |
| 0 PLC ± - | | PRODUCT SPEC | RIGHT ANGLE, SIZE 3 | |
| 1 PLC ± - | | APPLICATION SPEC | MARK II, ALL-PLASTIC | |
| 2 PLC ± - | | WEIGHT - | SIZE A3 | CAGE CODE 00779 |
| 3 PLC ± - | | MATERIAL - | DRAWING NO. C-216850 | |
| 4 PLC ± - | | | RESTRICTED TO - | |
| ANGLES ± - | | CUSTOMER DRAWING | | SCALE NTS |
| FINISH - | | SHEET 1 OF 1 | | REV J |