

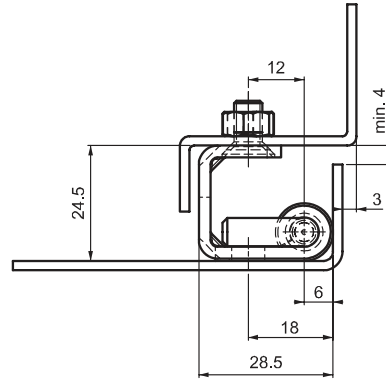
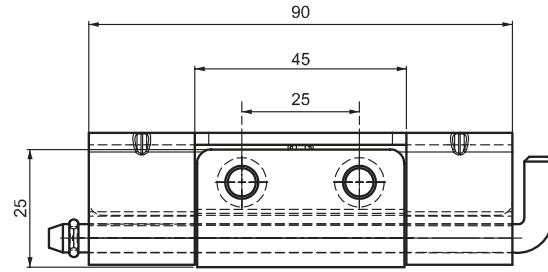
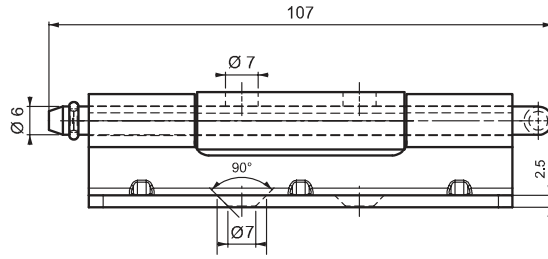
CONCEALED HINGES

CONCEALED HINGE

995



LH/RH



- **Stainless Steel version:** page: 459
- Side part can be mounted with M5 screws
- Centre part copper plated for easy welding
- Suitable for heavy-duty applications
- Suitable for 25 mm bend door cabinets

APPLICATIONS
Electric panels, machinery covers

MATERIAL
Steel

FINISH
BODY: Zinc plated
WELDING PART: Copper plated

Note: Bolts are not supplied

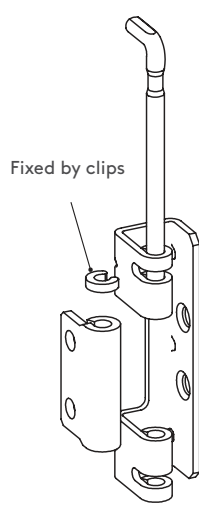
Stud version



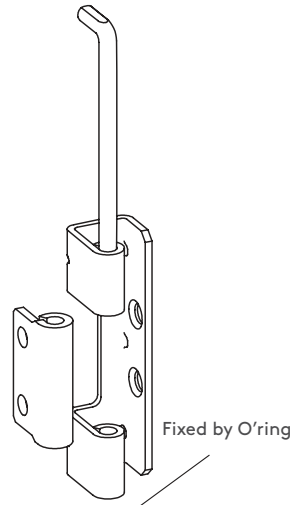
Hinge Rotation Angle



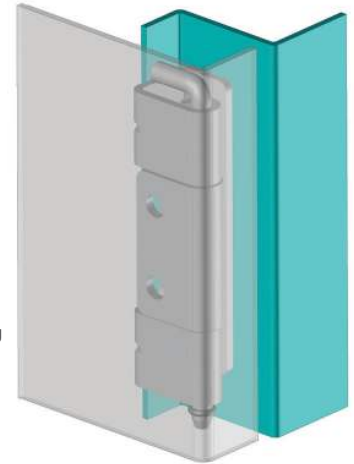
Note: Nuts are not supplied



V:4



V:3



PRODUCT CODE

