

- NOTES:
- THIS SHEET SHOWS THE CONDUIT WITH A FEMALE CONNECTOR INTERFACE AND ALL PORTS NC28 MALE.
  - MATERIAL: POLYAMIDE 66 (PA66), 0% GLASS FILL, COLOUR BLACK.
  - CONNECTOR INTERFACE;  
93481-0AAB - FEMALE  
93481-5AAB - MALE
  - MATES WITH NC AND NW FORMAT CONDUIT, FEMALE INTERFACE MATES WITH FEMALE CONNECTOR SERIES; SEE TABLE 2, SHEET 3.
  - FOR DIMENSIONS SPECIFIED E, F AND H, PLEASE REFER TO TABLE 1, SHEET 1.
  - APPLICATION SPECIFICATION: 850700010 PSA (SRC 84 WAY) & 8508300010 PSA (SRC POWER).
  - FLEXIBLE MOULDED LANYARD BETWEEN PART HALVES, MAY BE REMOVED.
  - CONDUIT INTERFACE SHOULD ONLY BE USED WITH APPROPRIATE CONDUIT. MOLEX CANNOT BE HELD RESPONSIBLE IF CABLES ARE DAMAGED DUE TO IMPROPER USE OF CONDUIT INTERFACE, OR IF A CONDUIT INTERFACE IS USED WITHOUT THE CONDUIT.
  - CONDUIT INTERFACE IS IP3X WHEN USED WITH A FULLY ASSEMBLED SRC CONNECTOR AND APPROPRIATE CONDUIT.
  - POST FEATURES FOR REINFORCEMENT AFTER CONNECTOR MOUNTING. AVOID INADVERTENTLY POSITIONING FEMALE CONNECTORS BETWEEN POSTS AND MOULDED WALL.
  - PACKAGING SPECIFICATION: 934811000 PSK.

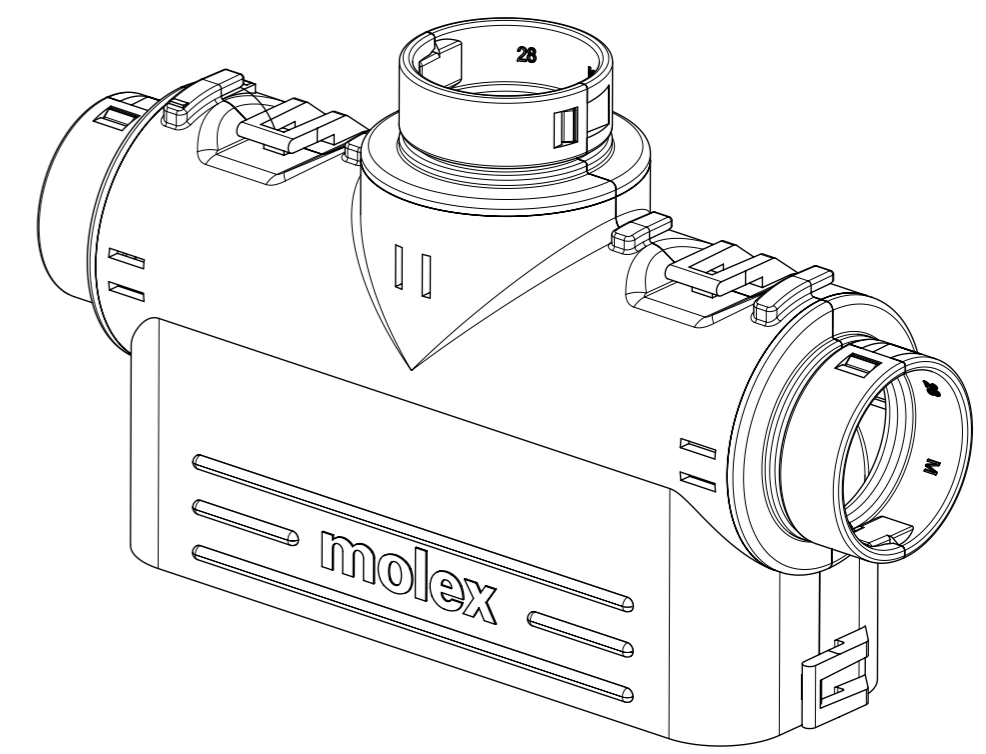
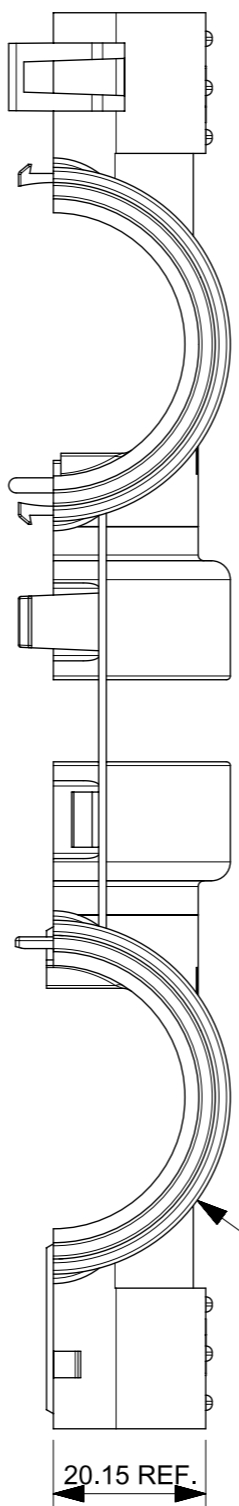
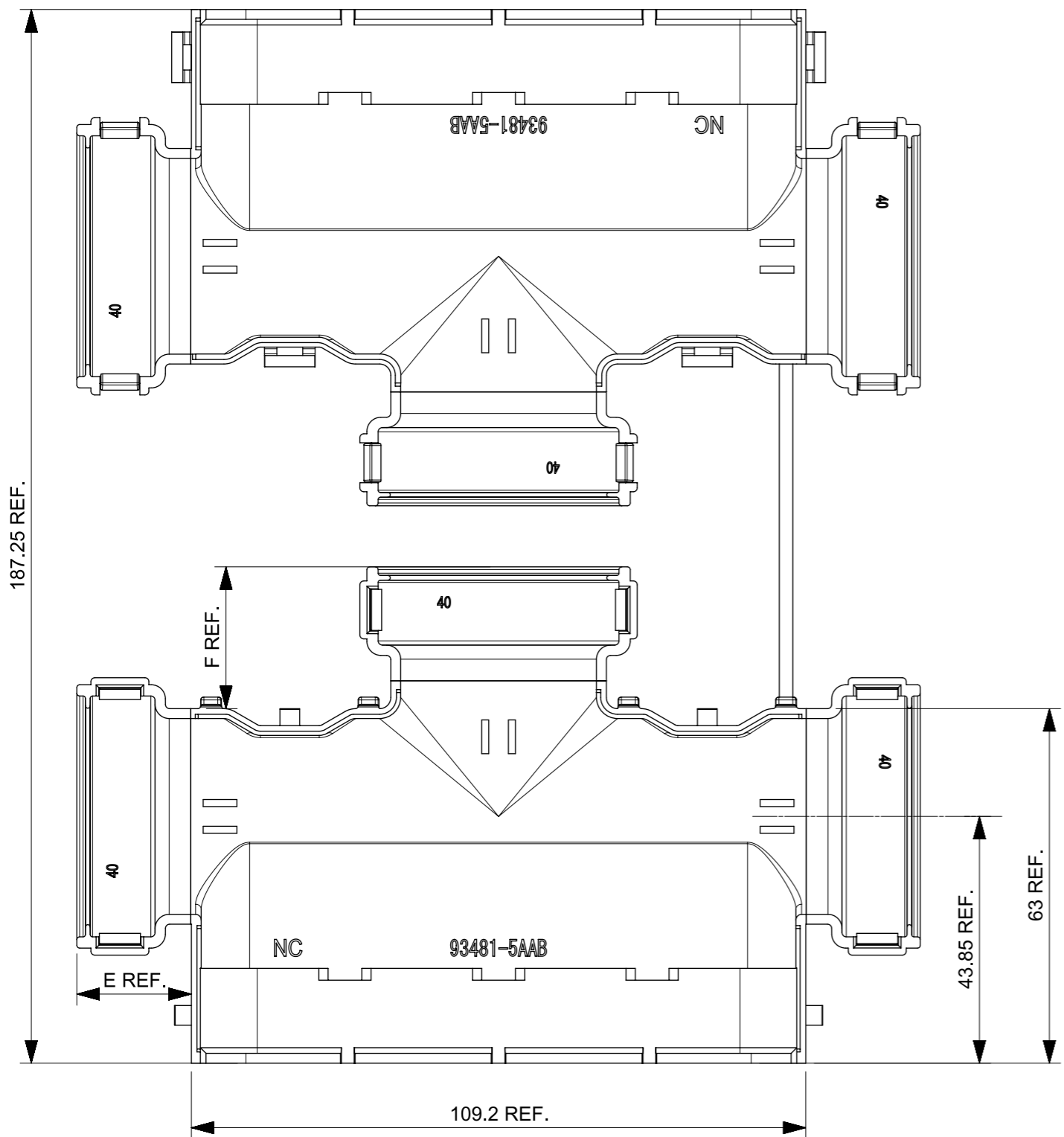


TABLE 1  
ALL DIMENSIONS GIVEN IN MILLIMETRES

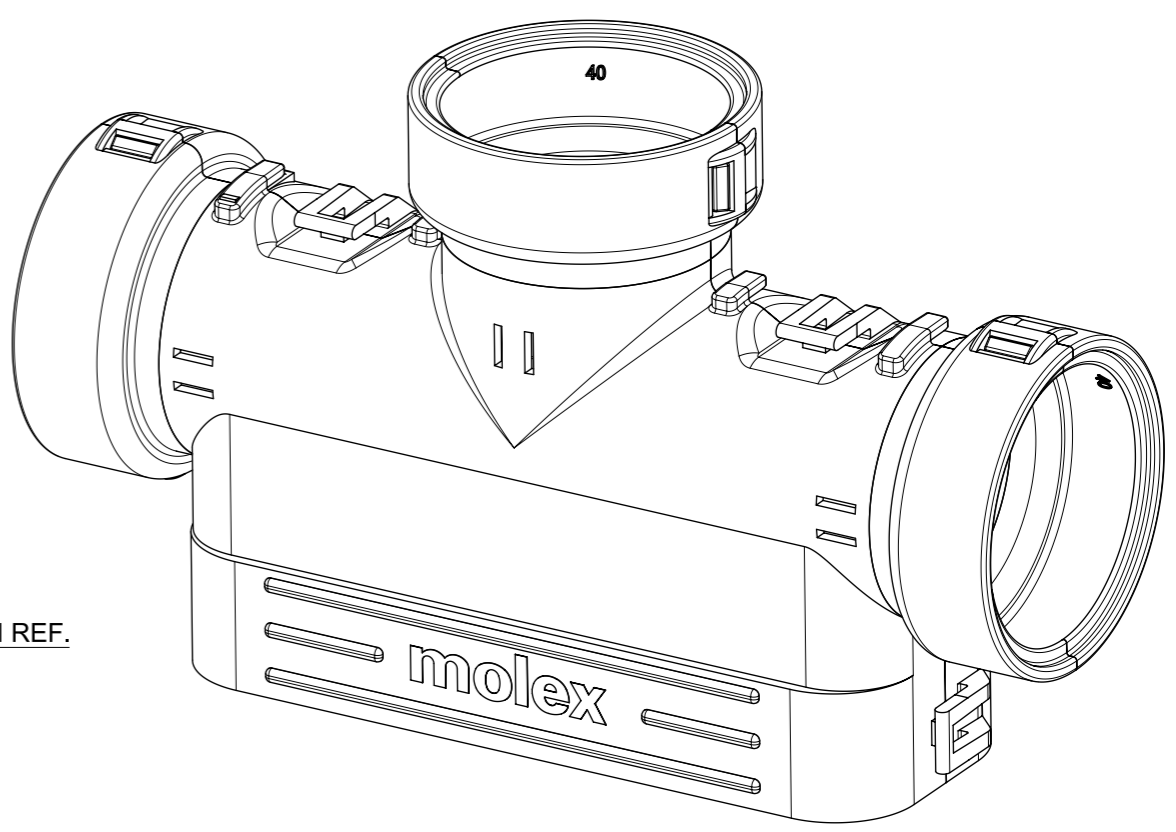
	NC28 MALE	NC28 FEMALE	NC32 FEMALE	NC40 FEMALE
E	14.7	14.6	14.6	20.35
F	19.5	19.45	19.45	25.2
H	28.2	32.1	38.3	46.8

THIS DRAWING CONTAINS INFORMATION THAT IS PROPRIETARY TO MOLEX ELECTRONIC TECHNOLOGIES, LLC AND SHOULD NOT BE USED WITHOUT WRITTEN PERMISSION

QUALITY SYMBOLS	MINOR UPDATES	GENERAL TOLERANCES (UNLESS SPECIFIED)	DIMENSION UNITS	SCALE	<p>SRC CONDUIT COVER</p> <p>PRODUCT CUSTOMER DRAWING</p>								
			MM	1:1									
DRWN BY	DATE	4 PLACES ±	AJOBRIEN	2015/04/23									
CHK'D BY	DATE	3 PLACES ±	SMCGREEVY	2015/06/03									
APPR BY	DATE	2 PLACES ±	JDWALLACE	2015/06/08	SERIES	MATERIAL NUMBER	CUSTOMER						
1 PLACE ±	0 PLACES ±	DRAFT WHERE APPLICABLE MUST REMAIN WITHIN DIMENSIONS	DRAWING SIZE	THIRD ANGLE PROJECTION	93481	SEE SHEET 3	GENERAL MARKET						
<table border="1"> <tr> <td>RELEASE STATUS</td> <td>P1</td> <td>RELEASE DATE</td> <td>10.11.2015</td> <td>10:14:18</td> </tr> </table>	RELEASE STATUS	P1	RELEASE DATE	10.11.2015	10:14:18	B1	REV	A3		DOCUMENT NUMBER	DOC TYPE	DOC PART	SHEET NUMBER
RELEASE STATUS	P1	RELEASE DATE	10.11.2015	10:14:18									
					934811000	PSD	000	1 OF 3					



- NOTES:
1. MALE CONNECTOR INTERFACE AND ALL PORTS NC40 FEMALE SHOWN ON THIS SHEET.
  2. MALE INTERFACE MATES WITH MALE CONNECTOR SERIES: SEE TABLE 2, SHEET 3.
  3. FOR DIMENSIONS E, F AND H, REFER TO TABLE 1, SHEET 1.



LANYARD NOT SHOWN IN MATED VIEW

THIS DRAWING CONTAINS INFORMATION THAT IS PROPRIETARY TO MOLEX ELECTRONIC TECHNOLOGIES, LLC AND SHOULD NOT BE USED WITHOUT WRITTEN PERMISSION									
<b>QUALITY SYMBOLS</b> ▽ = 0 ▽ = 0 ▽ = 0 ▼ = 0 ▽ = 0 ▽ = 0 ⊠ = 0 ■ = 0 ▽ = 0	<b>MINOR UPDATES</b> EC NO: 101518 DRWN: SMCGREEVY CHK'D: AJOBRIEN APPR: JDWALLACE	<b>GENERAL TOLERANCES (UNLESS SPECIFIED)</b> ANGULAR TOL ± 2.0 °		DIMENSION UNITS <b>MM</b>	SCALE <b>1:2</b>				
		4 PLACES ± 3 PLACES ± 2 PLACES ± 1 PLACE ± 0 PLACES ±	DRWN BY <b>AJOBRIEN</b>	DATE <b>2015/04/23</b>	CHK'D BY <b>SMCGREEVY</b>				
		DRAFT WHERE APPLICABLE MUST REMAIN WITHIN DIMENSIONS		DRAWING SIZE <b>A3</b>	THIRD ANGLE PROJECTION 	<b>PRODUCT CUSTOMER DRAWING</b>			
				SERIES <b>93481</b>	MATERIAL NUMBER <b>SEE SHEET 3</b>	CUSTOMER <b>GENERAL MARKET</b>			
				DOCUMENT NUMBER <b>934811000</b>		DOC TYPE <b>PSD</b>	DOC PART <b>000</b>	SHEET NUMBER <b>2 OF 3</b>	

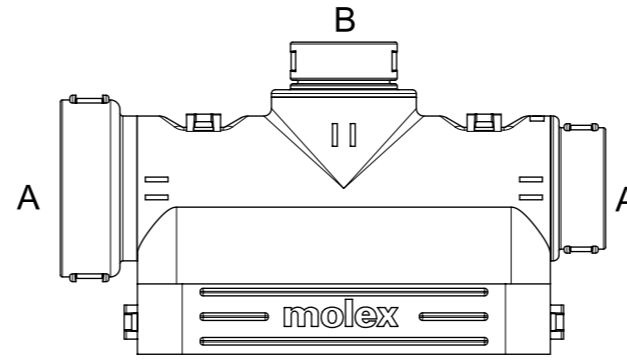
X	INTERFACE TYPE
5	MALE
0	FEMALE

SRC INTERFACE (X)  
(SEE NOTES)

B
0
1
2
3
4

CENTRE OUTLET (B)

A OR B	OUTLET
0	BLANK
1	NC28 MALE
2	NC28 FEMALE
3	NC 32 FEMALE
4	NC40 FEMALE

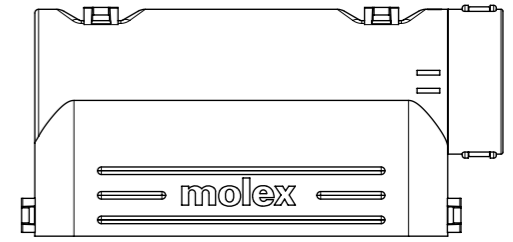


A	A
0	0
0	1
0	2
0	3
0	4
1	1
1	2
1	3
1	4
2	2
2	3
2	4
3	3
3	4
4	4

SIDE OUTLETS  
(A-A)

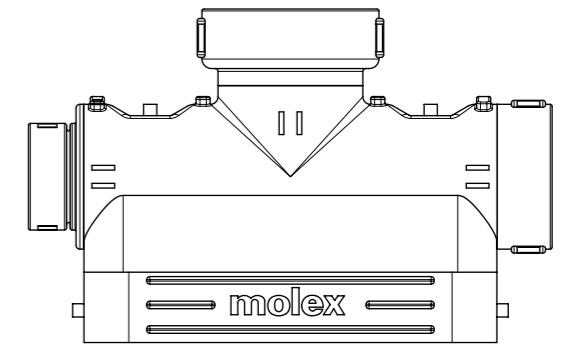
# 93481-XAAB

### EXAMPLE 1



93481-0030  
SRC INTERFACE: FEMALE = 0  
SIDE EXIT: BLANK AND NC32 FEMALE = 03  
CENTRE EXIT: BLANK = 0

### EXAMPLE 2



93481-5134  
SRC INTERFACE: MALE = 5  
SIDE EXIT: NC28 MALE AND NC32 FEMALE = 13  
CENTRE EXIT: NC40 = 4

### OUTLET SIZE FORMAT CONVERSION CHART

NC	NW
28	23
32	29
40	36

- NOTES:  
1. ALL OTHER NOTES AND DIMENSIONS SEE SHEET 1 & 2.  
2. TABLE 2 SPECIFIES THE SRC FAMILIES THAT ARE COMPATIBLE WITH EACH OPTION OF MALE OR FEMALE INTERFACES.

TABLE 2

MALE	FEMALE
85071	85070
93288	93287
85083	85084
93792	

THIS DRAWING CONTAINS INFORMATION THAT IS PROPRIETARY TO MOLEX ELECTRONIC TECHNOLOGIES, LLC AND SHOULD NOT BE USED WITHOUT WRITTEN PERMISSION												
QUALITY SYMBOLS ▽A = 0 ▽E = 0 ▽F = 0 ▼ = 0 ▽C = 0 ⊗ = 0 ■ = 0 ▽ = 0	MINOR UPDATES EC NO: 101518 DRWN: SMCGREEVY CHK'D: AJOBRIEN REV APPR: JDWALLACE	GENERAL TOLERANCES (UNLESS SPECIFIED)		DIMENSION UNITS	SCALE	<b>molex</b> SRC CONDUIT COVER PRODUCT CUSTOMER DRAWING						
		ANGULAR TOL ± 2.0 °		MM	2:1							
		4 PLACES ±	DRWN BY	DATE	AJOBRIEN							2015/04/23
		3 PLACES ±	CHK'D BY	DATE	SMCGREEVY							2015/06/03
		2 PLACES ±	APPR BY	DATE	JDWALLACE	2015/06/08						
		1 PLACE ±	DRAWING SIZE	THIRD ANGLE PROJECTION	A3	SERIES		MATERIAL NUMBER	CUSTOMER			
		0 PLACES ±	DRAFT WHERE APPLICABLE MUST REMAIN WITHIN DIMENSIONS		DOCUMENT NUMBER		DOC TYPE	DOC PART	SHEET NUMBER			
						93481		SEE SHEET 3	GENERAL MARKET			
						934811000		PSD	000	3 OF 3		