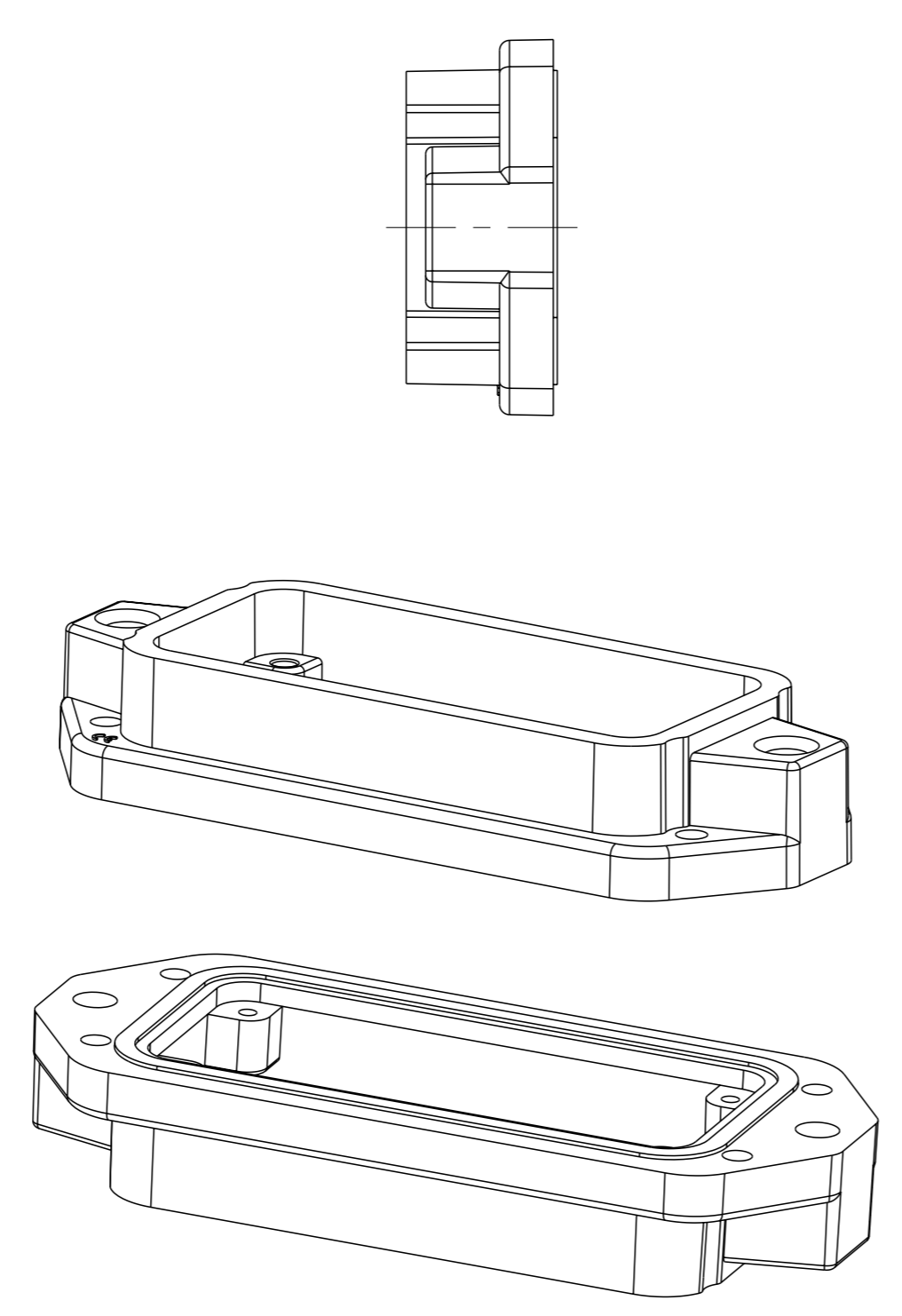
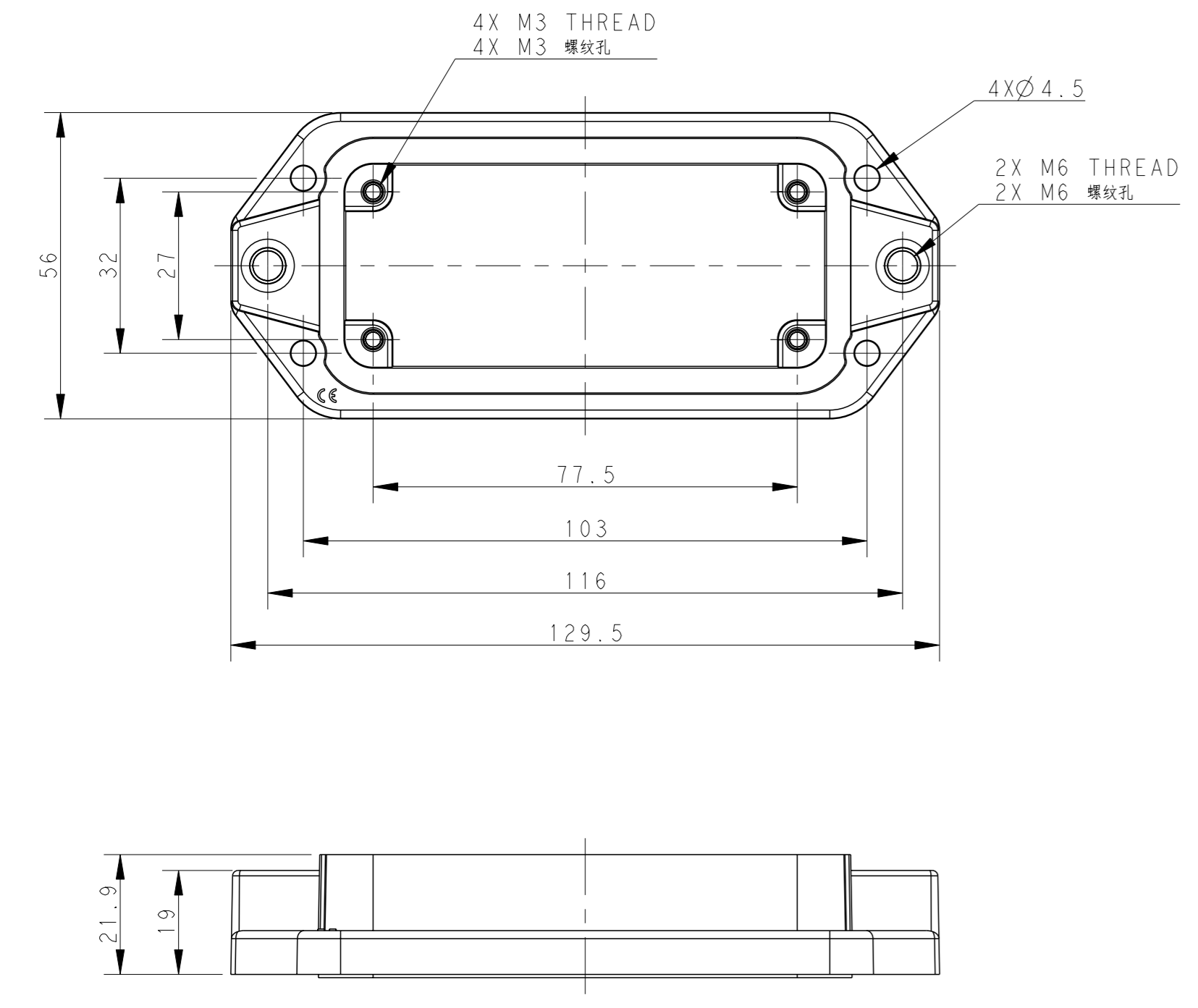


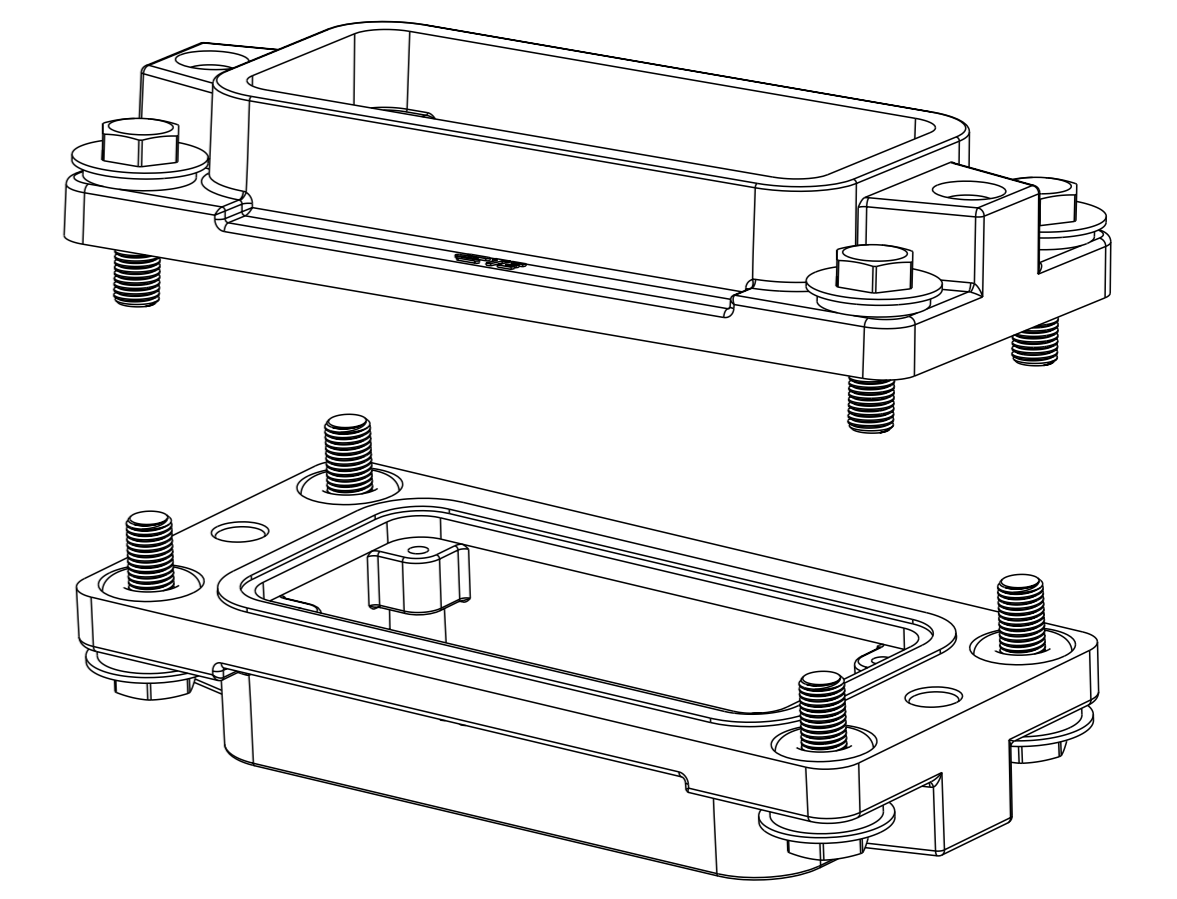
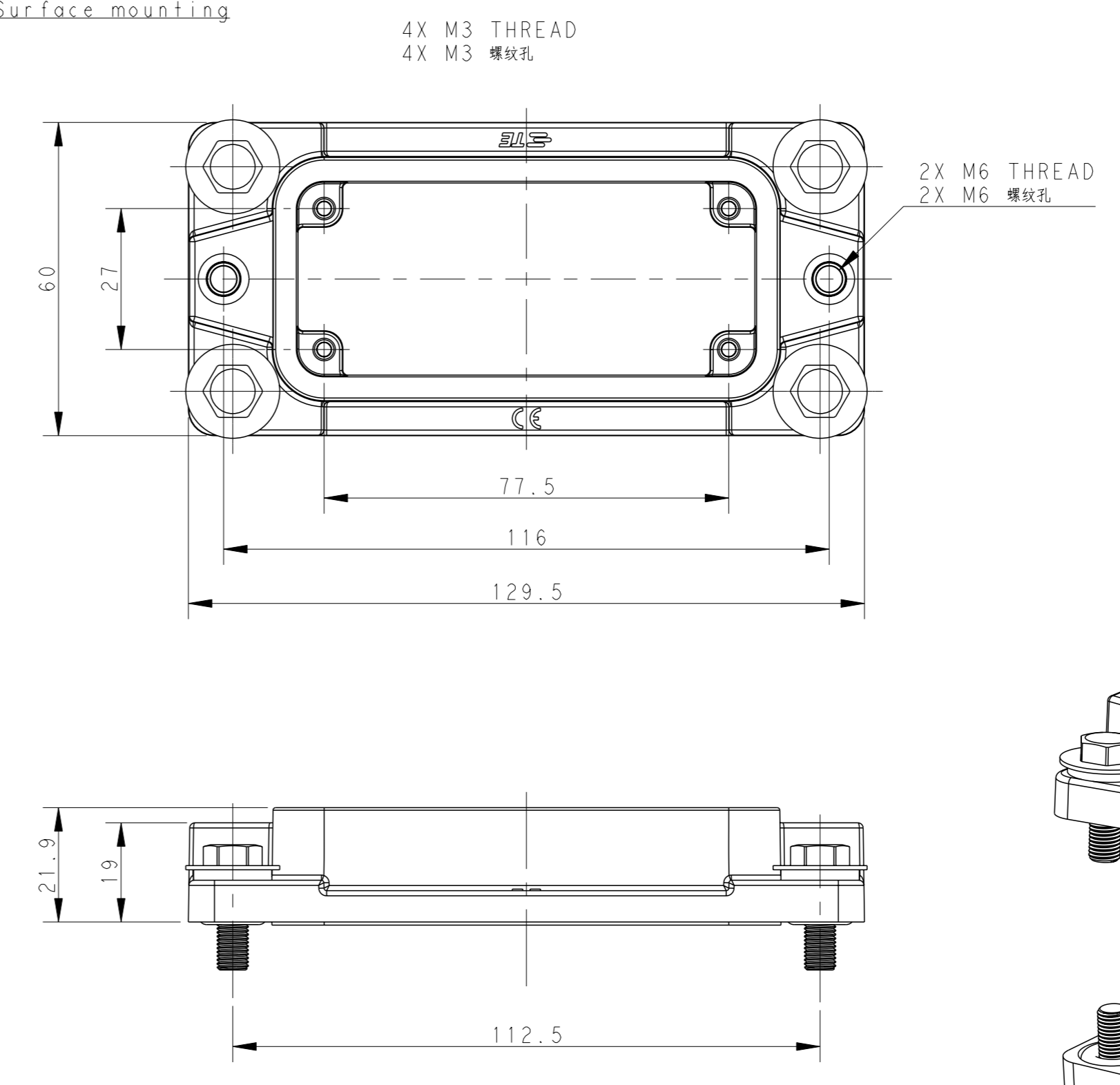
TYPE 1

Surface mounting



TYPE 2

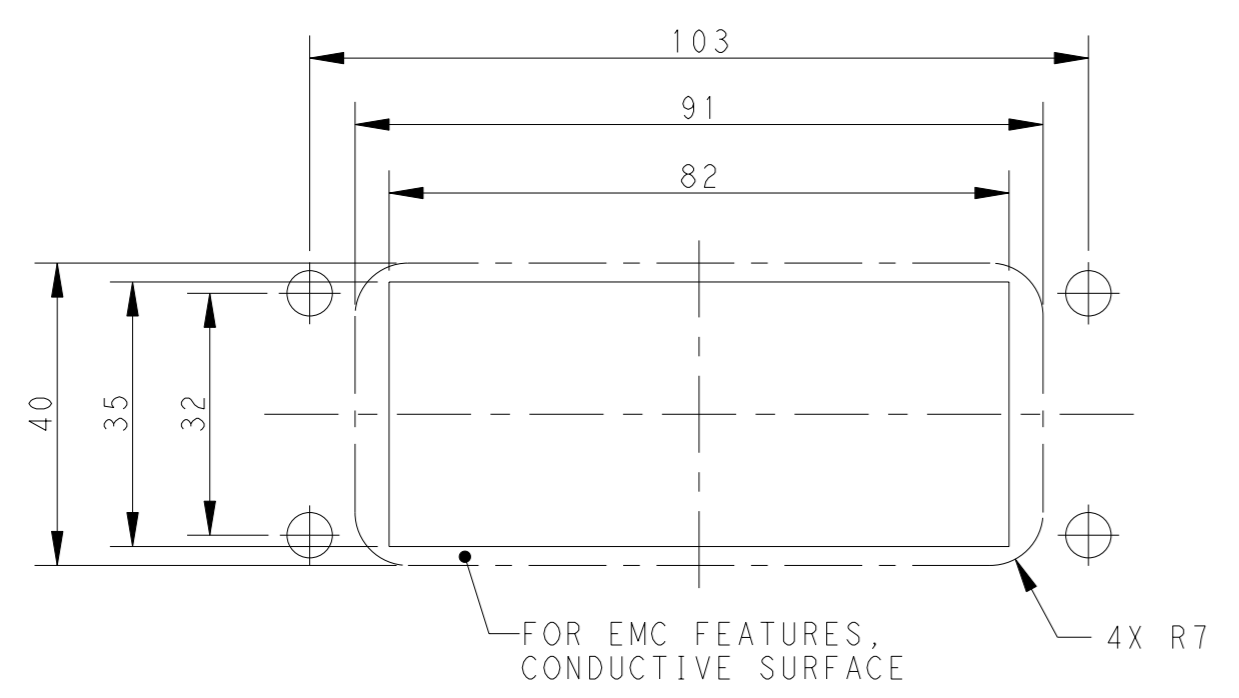
Surface mounting



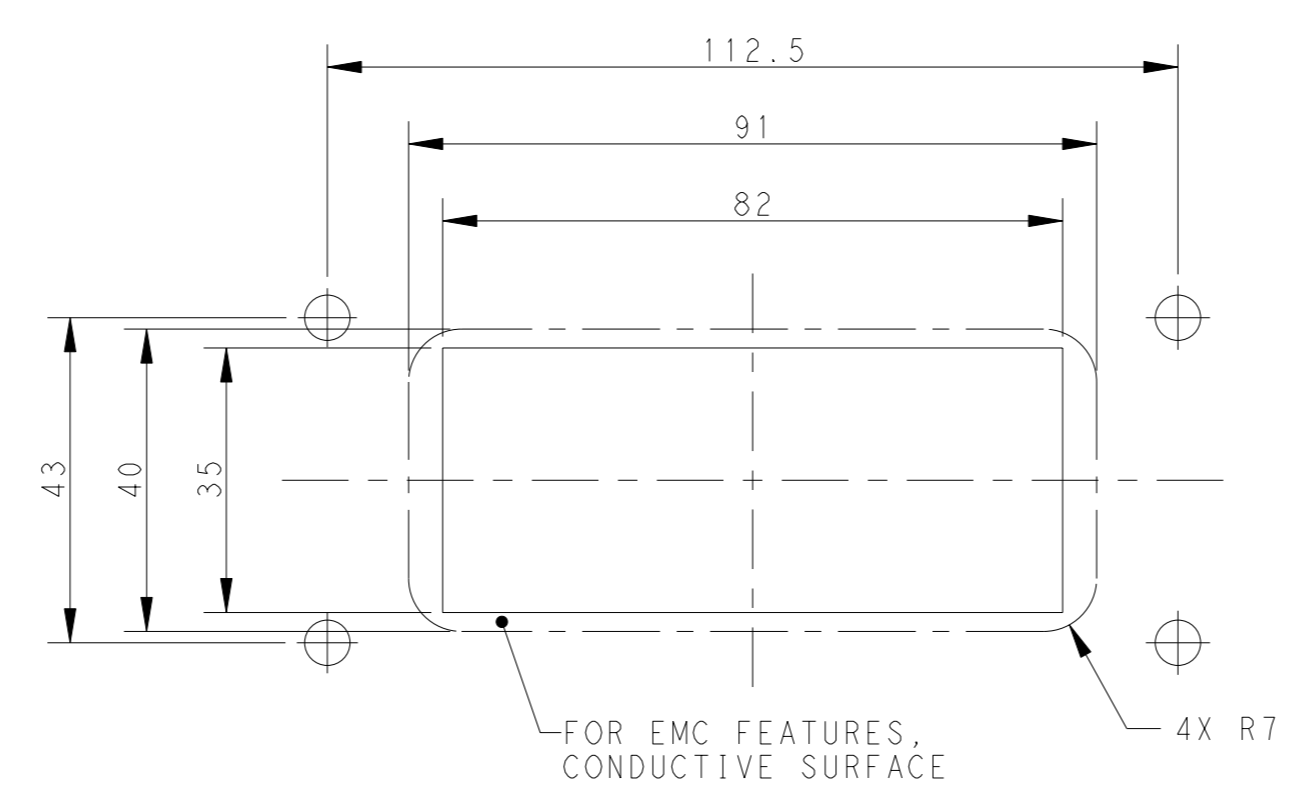
REVISIONS				
#	LY#	DESCRIPTION	DATE	OWN APVD
A		INITIAL RELEASE	08OCT2016	DW CW
B		ECR-20-016312	04JUN2021	BS CW

NOTES:
1. TECHNICAL CHARACTERISTICS:
HOUSING MATERIAL: DIE CAST ALUMINIUM ALLOY
SURFACE : SEE TABLE
DEGREE OF PROTECTION: IP68 (MATED)

注释
1. 技术参数:
壳体材料: 铝合金
表面处理: 见表格
防护等级: IP68 (配合)



Panel Cut Out Dimension For TYPE 1, Only for Reference
面板开口尺寸, 仅供参考



Panel Cut Out Dimension For TYPE 2, Only for Reference
面板开口尺寸, 仅供参考

PART NUMBER	料号	DESCRIPTION	描述	TYPE	类型
T1932160001-009	H16BPR-AGCT-EMC-C	H16BPR HOUSING, CENTER LOCKING, BULKHEAD FLANGE MOUNTED, POWDER COATED, BLACK	H16BPR 中部锁定面板插孔下壳 黑色	TYPE 2	类型2
T1932162000-009	H16BPR-AGC-EMC-C	H16BPR HOUSING, CENTER LOCKING, BULKHEAD MOUNTED, POWDER COATED, GREY	H16BPR 中部锁定开孔下壳 灰色	TYPE 1	类型1
T1932161000-009	H16BPR-AGC-EMC-C	H16BPR HOUSING, CENTER LOCKING, BULKHEAD MOUNTED, POWDER COATED, SILVER WHITE	H16BPR 中部锁定开孔下壳 银白色		
T1932160000-009	H16BPR-AGC-EMC-C	H16BPR HOUSING, CENTER LOCKING, BULKHEAD MOUNTED, POWDER COATED, BLACK	H16BPR 中部锁定开孔下壳 黑色		

THIS DRAWING IS A CONTROLLED DOCUMENT.

DIMENSIONS: mm

TOLERANCES UNLESS OTHERWISE SPECIFIED:

0 PLC	±
1 PLC	±
2 PLC	±
3 PLC	±
4 PLC	±

ANGLES FINISH

MATERIAL

OWN: DAVID WANG 08OCT2016
CHK: CHRIS WANG 08OCT2016
APVD: XIANG XU 08OCT2016

NAME: H16BPR-AGC/AGCT-EMC-C

SIZE: A1

SCALE: 1:1

SHEET 1 OF 1

REV B

Customer Drawing