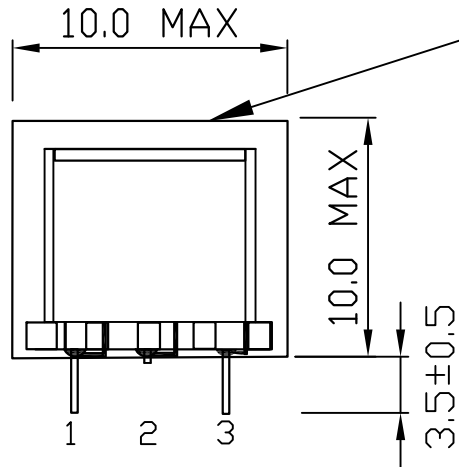
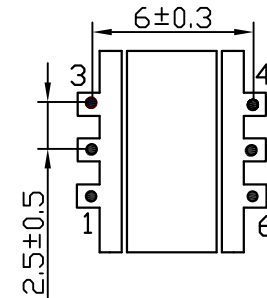
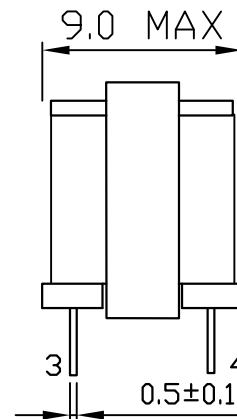


CONFIGURATION & DIMENSIONS (mm)



YEE8.3V-6P2.51MH
TRIGON XYYx
LABEL:
XX: YEAR
YY: WEEK
x: INNER CODE



ELECTRICAL SPECIFICATION @25°C

INDUCTANCE:

L(1-3): 2.51mH±15% @100KHz,1.0V

LK(1-3): ≤35uH @100KHz,1.0V

(SHORT SECONDARY)

URNS RATIO @ 20KHZ, 1.0 VRMS INPUT: (1-3)

(5-6): 0.127±5%;

(4-5): 0.0396±15%;

DCR:

(1-3)= 10.32ohm max

(5-6)= 0.252ohm max

(4-5)= 0.093ohm max

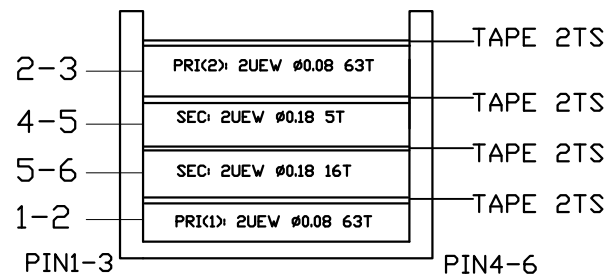
HI-POT: (PRI TO SEC) 1000VAC/1S @60Hz 3mA

HI-POT: (COIL TO CORE) 500VAC/1S @60Hz 3mA

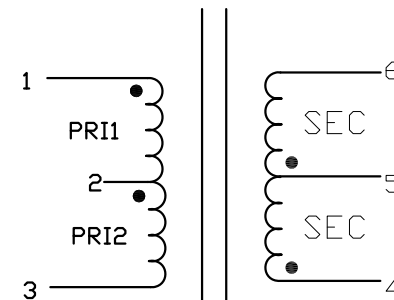
NOTE:

- PIN2: CUT OFF 1/2
- THIS PART IS ROHS COMPLIANT

WINDING CONSTRUCTION:



SCHEMATIC:



"•":START

| | | | | | | | | | | | |
|---------------------------------------|-----|------------|------|--------------------------------|-------------------------|------------|---------------------------|-------|--------------------------|-------|------|
| GENERAL TOLERANCES (UNLESS SPECIFIED) | | | | TITLE: EE8.3 power transformer | | | PART NO: YEE8.3V-6P2.51MH | | | | |
| .X = ±0.40mm | A4 | 16-11-2016 | LL | TRIGON COMPONENTS | APPROVED BY | CHECKED BY | DRAWN BY | UNIT | MM | SCALE | NONE |
| .XX = ±0.25mm | A3 | 4-3-2015 | LD | | ES | LL | LD | SHEET | 1 | OF | 2 |
| .XXX = ±0.10mm | A2 | 3-19-2014 | LD | | | | | | | | |
| ANGULAR ±3° | REV | DATE | SIGN | | TRIGON COMPONENTS, INC. | | | | www.trigoncomponents.com | | |