

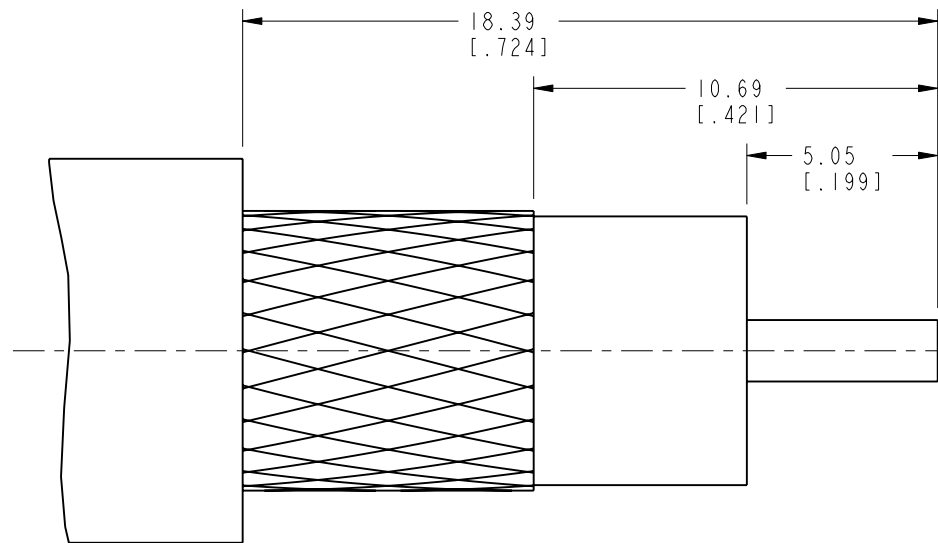
NOTES:

1. MATERIALS AND FINISHES:  
 BODY - BRASS, NICKEL PLATING  
 CONTACT - PHOSPHOR BRONZE, GOLD PLATING  
 INSULATOR - PTFE, NATURAL  
 LOCK RING - BRASS, NICKEL PLATING  
 FERRULE - BRASS, NICKEL PLATING
2. ELECTRICAL:  
 A. IMPEDANCE: 75 OHM  
 B. FREQUENCY RANGE: DC - 12 GHz  
 C. RETURN LOSS (VSWR): -25 dB MAX. (1.11) DC-6GHz  
                                   -20 dB MAX. (1.22) 6-12GHz  
 D. DIELECTRIC WITHSTANDING VOLTAGE: 1500 VRMS, MIN.
3. MECHANICAL:  
 A. DURABILITY: 500 CYCLES MIN.  
 B. TEMPERATURE RANGE: -65° C TO +165° C
4. PACKAGING:  
 A. QUANTITY: SINGLE PACK  
 B. MARKING: PACKAGING TO BE MARKED  
    "AMPHENOL RF, 31-70559-12G, AND DATE CODE"
5. SHOWS CABLE ENTRY DIMENSIONS
6. CABLE ASSEMBLY INSTRUCTIONS  
 A. TRIM CABLE AS SHOWN  
 B. SLIDE INSULATOR DISC ONTO CABLE CENTER CONDUCTOR  
 C. CRIMP CONTACT TO CABLE CENTER CONDUCTOR WITH A .068" HEX DIE  
 D. CRIMP FERRULE WITH .429" HEX DIE

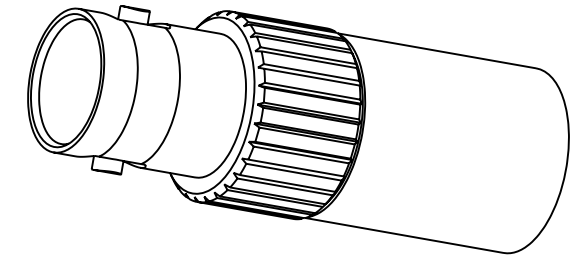
THIRD ANGLE PROJ.

REVISIONS

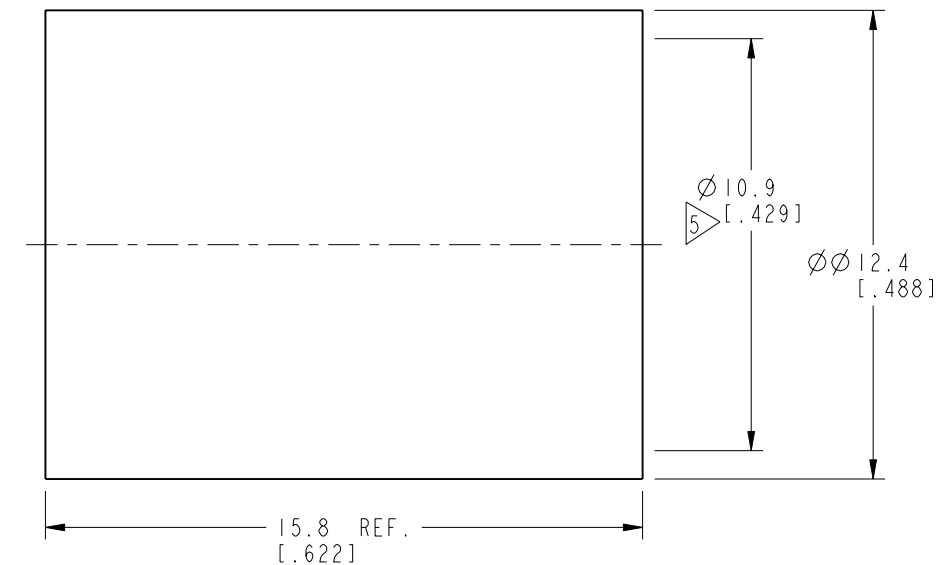
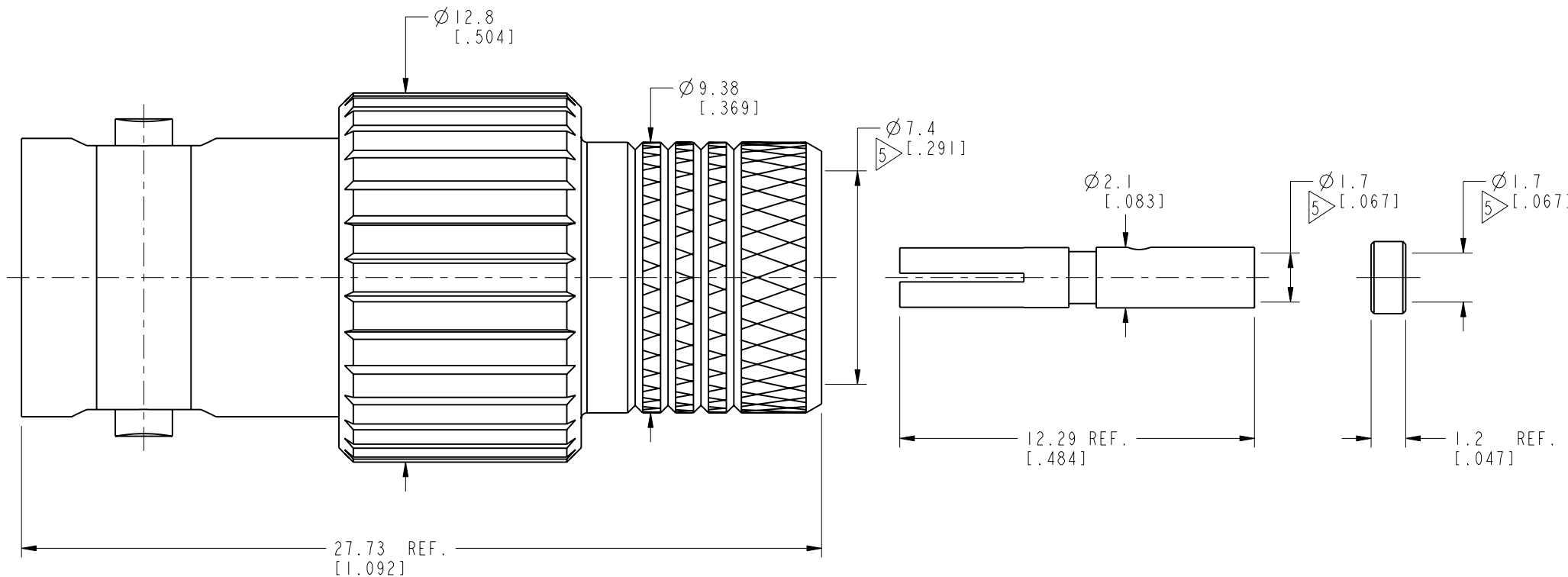
REV	DESCRIPTION	DATE	ECN	APPR
A	RELEASE TO MANUFACTURING	13-Dec-18	09941	EH



RECOMMENDED  
CABLE STRIPPING DIM'S



SCALE 2.000



**CUSTOMER OUTLINE DRAWING**

ALL OTHER SHEETS ARE FOR INTERNAL USE ONLY

UNLESS OTHERWISE SPECIFIED, DIMENSIONS ARE IN METRIC AND TOLERANCES ARE: <0.5mm ±0.05mm    0.5 - 6mm ±0.1mm    6 - 30mm ±0.2mm    30 - 120mm ±0.3mm    ANGLES ±1°	MATERIAL SEE NOTES	DRAWN M. ZHANG	DATE 13-Dec-18	TITLE <b>BNC CRIMP JACK FOR          BELDEN 4731R &amp;          4731P CABLE</b>		<b>Amphenol RF</b> www.amphenolrf.com	
	REFERENCE EAR# 8542 REF: 31-70539-12G	ENGINEER E. HILL	DATE 21-Aug-18				
NOTICE - These drawings, specifications, or other data (1) are, and remain the property of Amphenol corp. (2) must be returned upon request; and (3) are confidential and not to be disclosed to any person other than those to whom they are given by Amphenol Corp. the furnishing of these drawings, specifications, or other data by Amphenol Corp., or to any other person to anyone for any purpose is not to be regarded by implication or otherwise in any manner licensing, granting rights to permitting such holder or any other person to manufacture, use or sell any product, process or design, patented or otherwise, that may in any way be related to or disclosed by said drawings, specifications, or other data.	CONFIGURATION LEVEL: In Work	APPROVED S.HSIEH	DATE 14-Dec-18	SCALE: 5.0:1.0	SHEET 2 OF 2	ITEM NO. 31-70559-12G	PART NO. 31-70559-12G
	FINISH	CAD FILE	DWG SIZE B	REV A			