



MADE
IN THE USA

Product Description:

- Glove Dispenser - Bulk
- Holds gloves in bulk
- Single compartment
- Top loading, top or bottom front dispensing
- Pivot hinge lid
- Keyholes for wall mounting, or sits on a counter
- Made of White Sintra® Plastic

Primary Area for Product Usage:

- Food service kitchens, grocery departments, food preparation areas, daycares, salons
- Home use for baby or crafting rooms
- Chemical and hazardous waste areas
- Anywhere bulk gloves are needed

Dispenses:

- Holds gloves in bulk, interior dimensions are 4.75"W x 9.90"H x 3.90"D (12.1 cm x 25.1 cm x 9.9 cm)

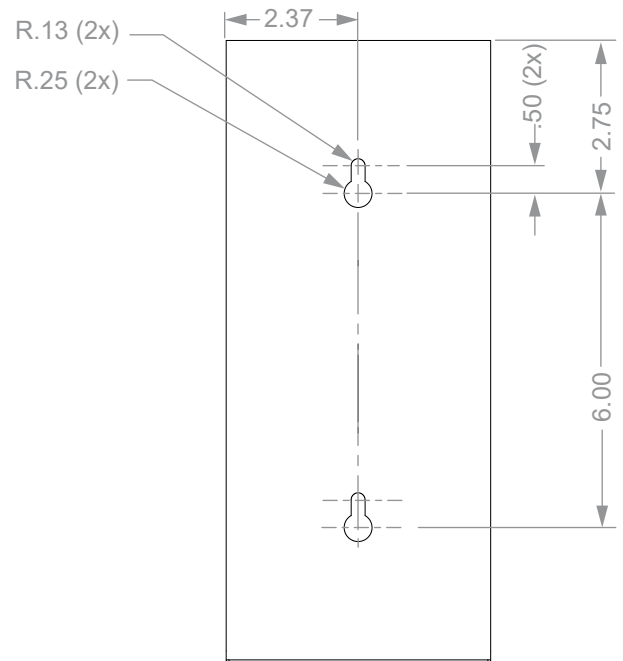
Package Specifications:

- Package Quantity: 12 per case
- 20"L x 16"W x 12"H (50.8 cm x 40.6 cm x 30.5 cm)
- 11.0 lbs (5.0 kg) - approximated

Product Specifications (overall external dimensions):

- 5.00"W x 11.25"H x 4.15"D (12.7 cm x 28.6 cm x 10.5 cm)
- 0.5 lbs (0.2 kg) - approximated

Mounting Specifications:



Companion Products (each sold separately):

- HP-010, Hairnet Dispenser - Bulk
- GC-018, Glove Box Dispenser - Single with Flexible Spring



HP-010



GC-018

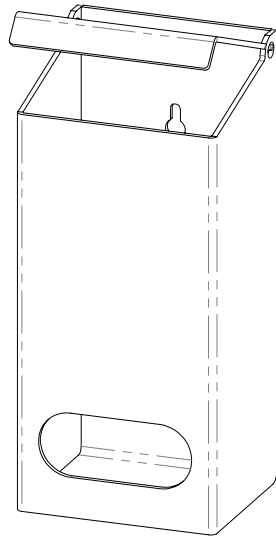




Installation

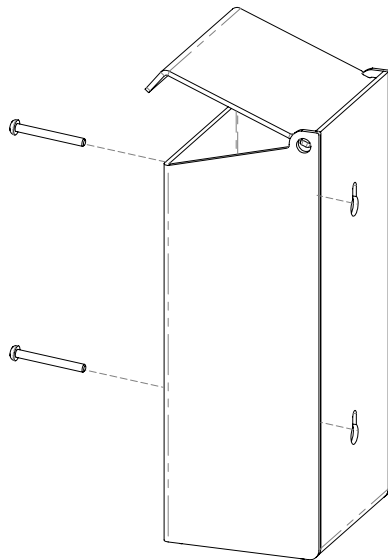
Always mount dispensers securely *prior* to loading with product.

- Rubber feet on the bottom help to hold the dispenser stable for dispensing through the top or front while sitting on a counter.



1

- Mount securely to a wall with screws approved and supplied by building maintenance.



2

Parts included:

- Dispenser

Tools Required:

- No tools required to assemble dispenser

Care and Construction

Sintra® Plastic

Material Characteristics

Designed for Long-Term Applications

Sintra® plastic is a lightweight, yet rigid, board of moderately expanded closed-cell polyvinyl chloride (PVC). It is dent resistant and provides an excellent combination of rigidity and durability.

Sintra® has a high strength-to-weight ratio and offers excellent corrosion, dent, and scratch resistance. It's resistance to moisture makes it an excellent choice for locations prone to high humidity. Products constructed of Sintra® should not be located in areas subject to high temperatures (above 140° F).

The surface of Sintra® has a low gloss, matte finish.

Care and Cleaning

Sintra® can be wiped clean with a mild cleaner or soap and lukewarm water. Isopropyl alcohol is recommended to remove grease or oil. Ammonia and acetone should not be used.

Standard hospital cleaning supplies are approved for use on our Sintra® products.