

| | | |
|--|--|-------|
| GloTek, Inc. www.globtek.com 186 Veterans Drive, Northvale, NJ 07647 Tel. (201) 784-1000 Fax (201) 784-0111 | Drawing Title: GTM43007-A6036-F, ICT / ITE / Medical Power Supply, Efficiency Level: N/A, Case Color/Style: PCB, Open Frame/Internal, Regulated Switchmode AC-DC Power Supply AC Adaptor, Input Rating: 100-240V~, 50-60 Hz, Molex Header (or equal) , Output Rating: 60W, 36.0V@1.66A, Output Configuration: N/A mm, N/A/4 Cond. , Molex 2.54mm Pitch 4-Pin Header PN: 22-11-2042 MATES W/ PN: 22-01-2047 or Equivalent, Ferrite: None, N/A, GT Cord # C0127, Pin Out: Pins 1 and 2: +V, Pins 3 and 4: -V, Blades/Input Cord: Not Applicable, Approvals: LPS 60950; VCCI; CB 62368; ETL 62368; EAC; UKCA; Conforms to 62368-1; CCC; Book 60601; China RoHS; Class I; RoHS; Ukraine; WEEE; CE; CB 60601-1 2MOPP (6W max); CE; FCC; CB 60950; CB EN/IEC 60335-1; cETLus; cETLus ES60601; cETLus 60601-1 3rd; Level V; WDaE; Fuse 60335; Fuse 60335; | |
| | Model No. GTM43007-A6036-F | |
| | Part No./Ordering No. GTM43007-A6036-F(R) | Rev A |

In Addition to GlobTek Inc.'s renewed ISO9001:2015 - Quality Management System Certification, GlobTek Inc. is now certified to:

ISO13485:2016 - Medical Devices Quality Management System Certification

ISO14001:2015 - Environmental Management System Certification

ISO Certificates are available online at <https://www.globtek.com/iso-certificates/>

The acceptance of this specification and use of the product described in this document indicates the acceptance and binding of the customer to Globtek TERMS AND CONDITIONS (attached to the end of this document), which supersede all other agreements, terms, and conditions (<https://en.globtek.com/terms-and-conditions/>).

The purchaser of this product (Customer) agrees that it is their sole responsibility to determine suitability/fitness of the product described in this specification for their application and to take precautions for protection against any hazards attendant to the handling and use of the product.

Footnote:

GlobTek Inc. will not be liable for the safety and performance of these power supplies/battery packs if unauthorized access and repair occurs. End user should consult applicable UL, CSA or EN standards for proper installation instruction.

Limitation of Use:

GlobTek products are intended for use with commercial, medical, and/or industrial equipment only. GlobTek product are not authorized for use as mission critical components in life support hazardous environment, nuclear or aircraft applications without prior written approval from the CEO of GlobTek Inc.

Contents of this document are subject to change without prior notice.

Customer Approval of Specification:

Please approve, sign and send back to GlobTek so we can complete order processing.

A delay in receipt of this form will delay delivery schedule.

| | |
|---------------------------------------|--|
| Company Name: _____ | Customer P/N: _____ |
| Quote Number: _____ | Date: _____ |
| Authorized Representative Name: _____ | Authorized Representative Signature: _____ |

| | | |
|--|--|-------|
| GloTek, Inc. www.globtek.com 186 Veterans Drive, Northvale, NJ 07647 Tel. (201) 784-1000 Fax (201) 784-0111 | Drawing Title: GTM43007-A6036-F, ICT / ITE / Medical Power Supply, Efficiency Level: N/A, Case Color/Style: PCB, Open Frame/Internal, Regulated Switchmode AC-DC Power Supply AC Adaptor, Input Rating: 100-240V~, 50-60 Hz, Molex Header (or equal) , Output Rating: 60W, 36.0V@1.66A, Output Configuration: N/A mm, N/A/4 Cond. , Molex 2.54mm Pitch 4-Pin Header PN: 22-11-2042 MATES W/ PN: 22-01-2047 or Equivalent, Ferrite: None, N/A, GT Cord # C0127, Pin Out: Pins 1 and 2: +V, Pins 3 and 4: -V, Blades/Input Cord: Not Applicable, Approvals: LPS 60950; VCCI; CB 62368; ETL 62368; EAC; UKCA; Conforms to 62368-1; CCC; Book 60601; China RoHS; Class I; RoHS; Ukraine; WEEE; CE; CB 60601-1 2MOPP (6W max); CE; FCC; CB 60950; CB EN/IEC 60335-1; cETLus; cETLus ES60601; cETLus 60601-1 3rd; Level V; WDaE; Fuse 60335; Fuse 60335; | |
| | Model No. GTM43007-A6036-F | |
| | Part No./Ordering No. GTM43007-A6036-F(R) | Rev A |

REVISION HISTORY

| REV | DESCRIPTION | SUB | DATE | APPROVED |
|-----|-----------------|-----|------------|----------|
| A | INITIAL RELEASE | DR | 05/01/2019 | QA |

POWER SUPPLY INFORMATION

| | |
|--------------------------------|---|
| TYPE | Open Frame/Internal |
| TECHNOLOGY | Regulated Switchmode AC-DC Power Supply AC Adaptor |
| CASE COLOR | PCB |
| NAMEPLATE RATED INPUT | 100-240V~, 50-60 Hz, 1.5A |
| INPUT CONFIG | Molex Header (or equal) |
| WATTS | 60.00 |
| VOLTS OUT | 36.0 |
| CURRENT OUT (Amps) | 1.66 |
| BLADE/CORD INCLUDED | N/A Not Applicable |
| BLADE/CORD INSTALLED | N/A :Not Applicable |
| INGRESS PROTECTION | N/A |
| GROUNDING CONFIGURATION | (E1) Earthed output |
| EFFICIENCY LEVEL | N/A |
| OUTPUT CONFIGURATION | N/A mm, N/A/4 Cond. , Molex 2.54mm Pitch 4-Pin Header PN: 22-11-2042 MATES W/ PN: 22-01-2047 or Equivalent, Ferrite: None, N/A, GT Cord # C0127 |
| OVERMOLDED | No |
| CONNECTOR PIN OUT | Pins 1 and 2: +V, Pins 3 and 4: -V |
| LABEL SPECS | Standard GT,L-1186 |
| SPECIAL BARCODE LABEL MATERIAL | No |
| PACK SPEC | Packing GTM43007-AWWVV-F(W) |
| USER MANUAL | N/A User Manual |

PROPRIETARY INFORMATION

| | | |
|--|--|-------|
| <p>GlobTek, Inc. www.globtek.com 186 Veterans Drive, Northvale, NJ 07647 Tel. (201) 784-1000 Fax (201) 784-0111</p> | Drawing Title: GTM43007-A6036-F, ICT / ITE / Medical Power Supply, Efficiency Level: N/A, Case Color/Style: PCB, Open Frame/Internal, Regulated Switchmode AC-DC Power Supply AC Adaptor, Input Rating: 100-240V~, 50-60 Hz, Molex Header (or equal) , Output Rating: 60W, 36.0V@1.66A, Output Configuration: N/A mm, N/A/4 Cond. , Molex 2.54mm Pitch 4-Pin Header PN: 22-11-2042 MATES W/ PN: 22-01-2047 or Equivalent, Ferrite: None, N/A, GT Cord # C0127, Pin Out: Pins 1 and 2: +V, Pins 3 and 4: -V, Blades/Input Cord: Not Applicable, Approvals: LPS 60950; VCCI; CB 62368; ETL 62368; EAC; UKCA; Conforms to 62368-1; CCC; Book 60601; China RoHS; Class I; RoHS; Ukraine; WEEE; CE; CB 60601-1 2MOPP (6W max); CE; FCC; CB 60950; CB EN/IEC 60335-1; cETLus; cETLus ES60601; cETLus 60601-1 3rd; Level V; WDaE; Fuse 60335; Fuse 60335; | |
| | Model No. GTM43007-A6036-F | |
| | Part No./Ordering No. GTM43007-A6036-F(R) | Rev A |

Notes/Modifications/Customizations (notes in this section supersede the values shown in the standard spec)
DIMENSIONS ARE IN MM UNLESS SPECIFIED OTHERWISE

| | | |
|---|--|-------|
| GlobTek, Inc. www.globtek.com 186 Veterans Drive, Northvale, NJ 07647 Tel. (201) 784-1000 Fax (201) 784-0111 | Drawing Title: GTM43007-A6036-F, ICT / ITE / Medical Power Supply, Efficiency Level: N/A, Case Color/Style: PCB, Open Frame/Internal, Regulated Switchmode AC-DC Power Supply AC Adaptor, Input Rating: 100-240V~, 50-60 Hz, Molex Header (or equal) , Output Rating: 60W, 36.0V@1.66A, Output Configuration: N/A mm, N/A/4 Cond. , Molex 2.54mm Pitch 4-Pin Header PN: 22-11-2042 MATES W/ PN: 22-01-2047 or Equivalent, Ferrite: None, N/A, GT Cord # C0127, Pin Out: Pins 1 and 2: +V, Pins 3 and 4: -V, Blades/Input Cord: Not Applicable, Approvals: LPS 60950; VCCI; CB 62368; ETL 62368; EAC; UKCA; Conforms to 62368-1; CCC; Book 60601; China RoHS; Class I; RoHS; Ukraine; WEEE; CE; CB 60601-1 2MOPP (6W max); CE; FCC; CB 60950; CB EN/IEC 60335-1; cETLus; cETLus ES60601; cETLus 60601-1 3rd; Level V; WDaE; Fuse 60335; Fuse 60335; | |
| | Model No. GTM43007-A6036-F | |
| | Part No./Ordering No. GTM43007-A6036-F(R) | Rev A |

ELECTRICAL SPECIFICATIONS

A) ELECTRICAL SPECIFICATIONS:

01. Input Voltage: Specified 90-264 Vac, Nameplate rated: 100-240Vac
02. Input Frequency: Specified 47-63 Hz, Nameplate rated 50-60Hz
03. Output Regulation: +/- 3% measured at the output connector
04. Line Voltage Regulation: +/- 0.5% maximum measured at full load
05. Output Ripple (Vp-p): 1% or 150 mV whichever is greater, measured at 20 MHz bandwidth with 0.1 uf ceramic capacitor in parallel with a low impedance 47 uf electrolytic capacitor connected 3" from the output connector .
06. Turn-ON/OFF: 5% maximum, 1 mS typical recovery time for 25% step load
07. Turn-ON Delay: 3 Sec max
08. Hold-Up Time: 8 mS typical @ nominal input voltage and full load
09. Inrush Current: 80A maximum @ 115 Vac input, 160A maximum @ 230 Vac input
10. Switching Frequency: 65 KHz typical
11. Efficiency: 87% @115Vac, 89% @ 230Vac typical at full load
12. No Load Power: < 300mW @ 230Vac

B) PROTECTION

01. Overvoltage Protection: 110% to 130% of nominal output voltage, and less than 60Vdc
02. Short Circuit/Over-load: momentary short circuit protected, output will auto recover upon removal of short
03. Input Protection: Input line fusing and 300Vac MOV

C) SAFETY

01. Dielectric Withstand Voltage: 4000Vac / 5656Vdc from primary to secondary
02. [Output Isolation Options](#): Class I or Class II
03. Earth Leakage Current: Does not exceed 300uA in NORMAL CONDITION and 1000uA in SINGLE FAULT CONDITION
04. Output Leakage Current: Does not exceed 75uA NC(Normal condition) 300uA SFC(single fault condition)
05. Means of Protection: 2 x MOPP
06. Compliant Standards: See listings at end of this drawing for specifics

D) EMC

EN 60601-1-2, 4th edition

Emissions, per EN 55032, EN 61000-6-3, EN 61000-6-4, CISPR11 and CISPR22

Conducted Emissions: Class B, FCC Part 15, Class B

Radiated Emissions: Class B, FCC Part 15, Class B

Line Frequency Harmonics EN61000-3-2, Class A

Voltage Fluctuations/Flicker EN61000-3-3

Immunity, per EN 55024, EN 61000-6-1, EN 61000-6-2

Static Discharge Immunity EN61000-4-2, 10kV Contact Discharge, 20kV air discharge

Radiated RF Immunity EN61000-4-3, 10V/m 80-1000MHz, 3V/m 1-2.7GHz, 80% 1KHz AM.

EFT/Burst Immunity EN61000-4-4, 4kV/100kHz.

Line Surge Immunity EN61000-4-5, 2kV differential, 4kV common-mode

Conducted RF Immunity EN61000-4-6, 3Vrms, 80% 1KHz AM

Power Frequency Magnetic Field Immunity EN61000-4-8, 3A/m

Voltage Dip Immunity EN61000-4-11, Criteria

PROPRIETARY INFORMATION

PROPRIETARY OF GLOBTEK, INC. ANY REPRODUCTION, DISCLOSURE OR USE OF THIS DRAWING, IN WHOLE OR IN PART, IS HEREBY PROHIBITED EXCEPT AS SPECIFIED IN WRITING BY GLOBTEK, INC. © GlobTek, Inc. 2019 - 2023

quest / 08/02/2023 10:51:50 PM GMT CLONED FROM GTM43007-A6030-F(R)

| | | |
|---|--|-------|
| GloBtek, Inc. www.globtek.com 186 Veterans Drive, Northvale, NJ 07647 Tel. (201) 784-1000 Fax (201) 784-0111 | Drawing Title: GTM43007-A6036-F, ICT / ITE / Medical Power Supply, Efficiency Level: N/A, Case Color/Style: PCB, Open Frame/Internal, Regulated Switchmode AC-DC Power Supply AC Adaptor, Input Rating: 100-240V~, 50-60 Hz, Molex Header (or equal) , Output Rating: 60W, 36.0V@1.66A, Output Configuration: N/A mm, N/A/4 Cond. , Molex 2.54mm Pitch 4-Pin Header PN: 22-11-2042 MATES W/ PN: 22-01-2047 or Equivalent, Ferrite: None, N/A, GT Cord # C0127, Pin Out: Pins 1 and 2: +V, Pins 3 and 4: -V, Blades/Input Cord: Not Applicable, Approvals: LPS 60950; VCCI; CB 62368; ETL 62368; EAC; UKCA; Conforms to 62368-1; CCC; Book 60601; China RoHS; Class I; RoHS; Ukraine; WEEE; CE; CB 60601-1 2MOPP (6W max); CE; FCC; CB 60950; CB EN/IEC 60335-1; cETLus; cETLus ES60601; cETLus 60601-1 3rd; Level V; WDaE; Fuse 60335; Fuse 60335; | |
| | Model No. GTM43007-A6036-F | |
| | Part No./Ordering No. GTM43007-A6036-F(R) | Rev A |

E) OTHER

01. MTBF: 1,000,000 Hours @ 45°C ambient temperature, Full Load
02. Operating Temperature: -10°C to 45°C ambient temperature
03. Humidity: 0% to 95% relative humidity
04. Storage Temperature: -30°C to 80°C
05. Cooling: Convection
06. Elevation: 5000M
07. ROHS 2: Complies with EU 2011/65/EU and China SJ/T 11363-2006

F) MECHANICAL FORMAT

01. Type: Open Frame
02. Size: A suffix version, (2"x3"), 76.2 x 50.8 x 30.5 mm
03. Size: B suffix version, (2"x4"), 101.6 x 50.8 x 30.5 mm
04. Size: C suffix version, (3"x5"), 127.0 x 76.2 x 30.5 mm

G) SPECIAL OPTIONS

01. Custom Label Markings
02. Short term Output Surge Capability
03. Reduced Leakage Current versions
04. Tightened output voltage tolerance
05. Reduced output ripple level
06. High Rel PCB laminate with Plated through Holes for IPC610 Class 2 Compliance
07. Low Temperature operation, down to -40°C
08. Quasi Constant Current Output, for Lead-Acid Battery Charger Applications
09. Special Input or Output Connectors
10. Over-Temperature Protection, Latched Shut-Down

TO ADDRESS SYSTEM-LEVEL EMI CONCERNS, FERRITE CHOKES/BEADS MAY BE ADDED/REVISED UPON REQUEST. A SAMPLE KIT OF GLOBTEK'S STANDARD FERRITES IS AVAILABLE UNDER GLOBTEK P/N: EMI-MITIGATION-KIT1

FOR ADDITIONAL INFORMATION, PLEASE READ OUR WHITE PAPER AT: <https://r.globtek.info/3QeaqtD>

INGRESS PROTECTION: N/A

GlobTek, Inc.
 www.globtek.com
 186 Veterans Drive,
 Northvale, NJ 07647
 Tel. (201) 784-1000
 Fax (201) 784-0111

Drawing Title: GTM43007-A6036-F, ICT / ITE / Medical Power Supply, Efficiency Level: N/A, Case Color/Style: PCB, Open Frame/Internal, Regulated Switchmode AC-DC Power Supply AC Adaptor, Input Rating: 100-240V~, 50-60 Hz, Molex Header (or equal) , Output Rating: 60W, 36.0V@1.66A, Output Configuration: N/A mm, N/A/4 Cond. , Molex 2.54mm Pitch 4-Pin Header PN: 22-11-2042 MATES W/ PN: 22-01-2047 or Equivalent, Ferrite: None, N/A, GT Cord # C0127, Pin Out: Pins 1 and 2: +V, Pins 3 and 4: -V, Blades/Input Cord: Not Applicable, Approvals: LPS 60950; VCCI; CB 62368; ETL 62368; EAC; UKCA; Conforms to 62368-1; CCC; Book 60601; China RoHS; Class I; RoHS; Ukraine; WEEE; CE; CB 60601-1 2MOPP (6W max); CE; FCC; CB 60950; CB EN/IEC 60335-1; cETLus; cETLus ES60601; cETLus 60601-1 3rd; Level V; WDaE; Fuse 60335; Fuse 60335;

Model No. GTM43007-A6036-F

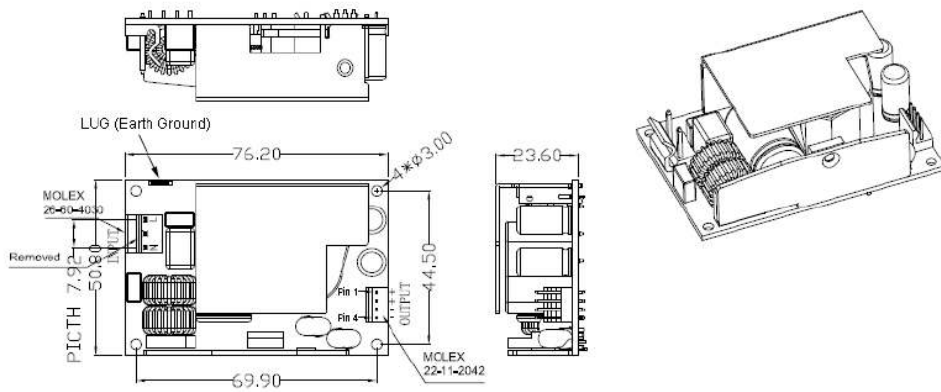
Part No./Ordering No. GTM43007-A6036-F(R)

Rev A

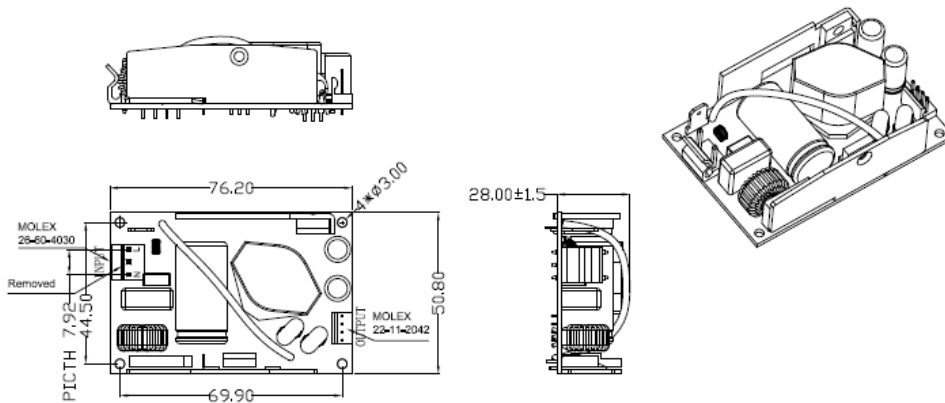
3D File Download <http://www.globtek.com/dl/GTM43007A-LOW&HIGH-VERSION.igs>

Mechanical drawing

Top Diagram is for 5V-14V models, Bottom Diagrams are for 15V-48V models



F2 grounding



E1 grounding

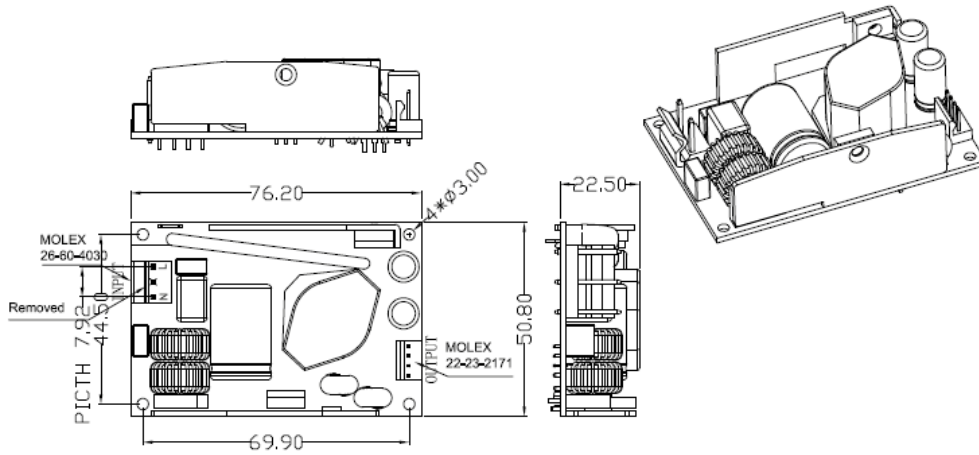
GlobTek, Inc.
 www.globtek.com
 186 Veterans Drive,
 Northvale, NJ 07647
 Tel. (201) 784-1000
 Fax (201) 784-0111

Drawing Title: GTM43007-A6036-F, ICT / ITE / Medical Power Supply, Efficiency Level: N/A, Case Color/Style: PCB, Open Frame/Internal, Regulated Switchmode AC-DC Power Supply AC Adaptor, Input Rating: 100-240V~, 50-60 Hz, Molex Header (or equal) , Output Rating: 60W, 36.0V@1.66A, Output Configuration: N/A mm, N/A/4 Cond. , Molex 2.54mm Pitch 4-Pin Header PN: 22-11-2042 MATES W/ PN: 22-01-2047 or Equivalent, Ferrite: None, N/A, GT Cord # C0127, Pin Out: Pins 1 and 2: +V, Pins 3 and 4: -V, Blades/Input Cord: Not Applicable, Approvals: LPS 60950; VCCI; CB 62368; ETL 62368; EAC; UKCA; Conforms to 62368-1; CCC; Book 60601; China RoHS; Class I; RoHS; Ukraine; WEEE; CE; CB 60601-1 2MOPP (6W max); CE; FCC; CB 60950; CB EN/IEC 60335-1; cETLus; cETLus ES60601; cETLus 60601-1 3rd; Level V; WDaE; Fuse 60335; Fuse 60335;

Model No. GTM43007-A6036-F

Part No./Ordering No. GTM43007-A6036-F(R)

Rev A



GlobTek, Inc.
 www.globtek.com
 186 Veterans Drive,
 Northvale, NJ 07647
 Tel. (201) 784-1000
 Fax (201) 784-0111

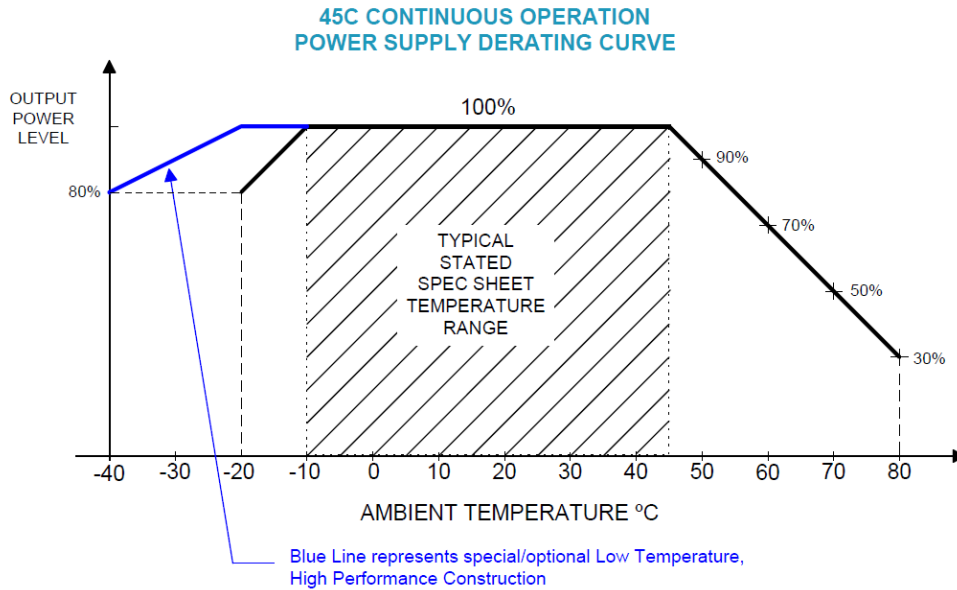
Drawing Title: GTM43007-A6036-F, ICT / ITE / Medical Power Supply, Efficiency Level: N/A, Case Color/Style: PCB, Open Frame/Internal, Regulated Switchmode AC-DC Power Supply AC Adaptor, Input Rating: 100-240V~, 50-60 Hz, Molex Header (or equal) , Output Rating: 60W, 36.0V@1.66A, Output Configuration: N/A mm, N/A/4 Cond. , Molex 2.54mm Pitch 4-Pin Header PN: 22-11-2042 MATES W/ PN: 22-01-2047 or Equivalent, Ferrite: None, N/A, GT Cord # C0127, Pin Out: Pins 1 and 2: +V, Pins 3 and 4: -V, Blades/Input Cord: Not Applicable, Approvals: LPS 60950; VCCI; CB 62368; ETL 62368; EAC; UKCA; Conforms to 62368-1; CCC; Book 60601; China RoHS; Class I; RoHS; Ukraine; WEEE; CE; CB 60601-1 2MOPP (6W max); CE; FCC; CB 60950; CB EN/IEC 60335-1; cETLus; cETLus ES60601; cETLus 60601-1 3rd; Level V; WDaE; Fuse 60335; Fuse 60335;

Model No. GTM43007-A6036-F

Part No./Ordering No. GTM43007-A6036-F(R)

Rev A

DERATING CURVE



GlobTek, Inc.
 www.globtek.com
 186 Veterans Drive,
 Northvale, NJ 07647
 Tel. (201) 784-1000
 Fax (201) 784-0111

Drawing Title: GTM43007-A6036-F, ICT / ITE / Medical Power Supply, Efficiency Level: N/A, Case Color/Style: PCB, Open Frame/Internal, Regulated Switchmode AC-DC Power Supply AC Adaptor, Input Rating: 100-240V~, 50-60 Hz, Molex Header (or equal) , Output Rating: 60W, 36.0V@1.66A, Output Configuration: N/A mm, N/A/4 Cond. , Molex 2.54mm Pitch 4-Pin Header PN: 22-11-2042 MATES W/ PN: 22-01-2047 or Equivalent, Ferrite: None, N/A, GT Cord # C0127, Pin Out: Pins 1 and 2: +V, Pins 3 and 4: -V, Blades/Input Cord: Not Applicable, Approvals: LPS 60950; VCCI; CB 62368; ETL 62368; EAC; UKCA; Conforms to 62368-1; CCC; Book 60601; China RoHS; Class I; RoHS; Ukraine; WEEE; CE; CB 60601-1 2MOPP (6W max); CE; FCC; CB 60950; CB EN/IEC 60335-1; cETLus; cETLus ES60601; cETLus 60601-1 3rd; Level V; WDaE; Fuse 60335; Fuse 60335;

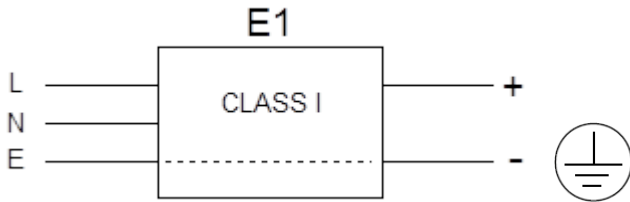
Model No. GTM43007-A6036-F

Part No./Ordering No. GTM43007-A6036-F(R)

Rev A

INPUT CONFIGURATION

(E1) Earthed output

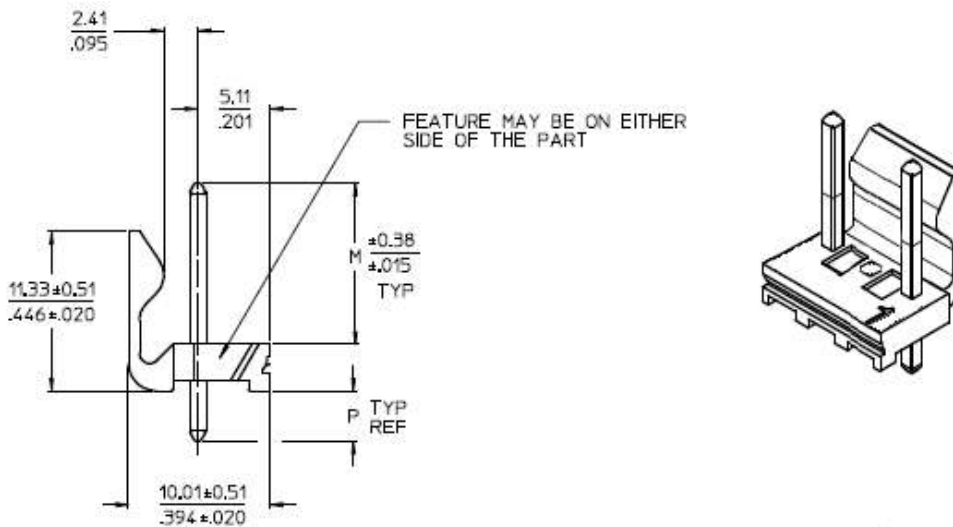


[Alternate grounding configurations](#) available upon request.

Blades/Cord Included:N/A:Not Applicable

Blades/Cord Installed:N/A:Not Applicable

Molex 26-60-4030 3 Position Header Pin 1: Line, Pin 2: Removed, PIN 3: Neutral



PROPRIETARY INFORMATION

PROPRIETARY OF GLOBTEK, INC. ANY REPRODUCTION, DISCLOSURE OR USE OF THIS DRAWING, IN WHOLE OR IN PART, IS HEREBY PROHIBITED EXCEPT AS SPECIFIED IN

WRITING BY GLOBTEK, INC. © GlobTek, Inc. 2019 - 2023

quest / 08/02/2023 10:51:50 PM GMT CLONED FROM GTM43007-A6030-F(R)

| | | |
|--|--|-------|
| GloTek, Inc. www.globtek.com 186 Veterans Drive, Northvale, NJ 07647 Tel. (201) 784-1000 Fax (201) 784-0111 | Drawing Title: GTM43007-A6036-F, ICT / ITE / Medical Power Supply, Efficiency Level: N/A, Case Color/Style: PCB, Open Frame/Internal, Regulated Switchmode AC-DC Power Supply AC Adaptor, Input Rating: 100-240V~, 50-60 Hz, Molex Header (or equal) , Output Rating: 60W, 36.0V@1.66A, Output Configuration: N/A mm, N/A/4 Cond. , Molex 2.54mm Pitch 4-Pin Header PN: 22-11-2042 MATES W/ PN: 22-01-2047 or Equivalent, Ferrite: None, N/A, GT Cord # C0127, Pin Out: Pins 1 and 2: +V, Pins 3 and 4: -V, Blades/Input Cord: Not Applicable, Approvals: LPS 60950; VCCI; CB 62368; ETL 62368; EAC; UKCA; Conforms to 62368-1; CCC; Book 60601; China RoHS; Class I; RoHS; Ukraine; WEEE; CE; CB 60601-1 2MOPP (6W max); CE; FCC; CB 60950; CB EN/IEC 60335-1; cETLus; cETLus ES60601; cETLus 60601-1 3rd; Level V; WDaE; Fuse 60335; Fuse 60335; | |
| | Model No. GTM43007-A6036-F | |
| | Part No./Ordering No. GTM43007-A6036-F(R) | Rev A |



Optional Input Wiring Kits are available:

| PN/Ordering No | Length | End A | End B |
|------------------------------------|--------|--------------|------------------|
| XHP410070M7MLX3(R) | 70 | JST XHP-4 | Molex 09-93-0300 |
| C810070M6MLX3(R) | 60 | IEC60320 C8 | Molex 09-93-0300 |
| C1410070M6MLX3(R) | 60 | IEC60320 C14 | Molex 09-93-0300 |

Custom lengths, construction, cable types, ferrites, filters, and termination available upon request.

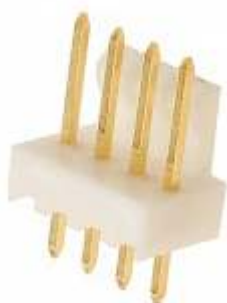
| | | |
|---|--|-------|
| GlobTek, Inc. www.globtek.com 186 Veterans Drive, Northvale, NJ 07647 Tel. (201) 784-1000 Fax (201) 784-0111 | Drawing Title: GTM43007-A6036-F, ICT / ITE / Medical Power Supply, Efficiency Level: N/A, Case Color/Style: PCB, Open Frame/Internal, Regulated Switchmode AC-DC Power Supply AC Adaptor, Input Rating: 100-240V~, 50-60 Hz, Molex Header (or equal) , Output Rating: 60W, 36.0V@1.66A, Output Configuration: N/A mm, N/A/4 Cond. , Molex 2.54mm Pitch 4-Pin Header PN: 22-11-2042 MATES W/ PN: 22-01-2047 or Equivalent, Ferrite: None, N/A, GT Cord # C0127, Pin Out: Pins 1 and 2: +V, Pins 3 and 4: -V, Blades/Input Cord: Not Applicable, Approvals: LPS 60950; VCCI; CB 62368; ETL 62368; EAC; UKCA; Conforms to 62368-1; CCC; Book 60601; China RoHS; Class I; RoHS; Ukraine; WEEE; CE; CB 60601-1 2MOPP (6W max); CE; FCC; CB 60950; CB EN/IEC 60335-1; cETLus; cETLus ES60601; cETLus 60601-1 3rd; Level V; WDaE; Fuse 60335; Fuse 60335; | |
| | Model No. GTM43007-A6036-F | |
| | Part No./Ordering No. GTM43007-A6036-F(R) | Rev A |

OUTPUT CORD AND CONNECTOR: MOLI/C0127

ACTUAL CONNECTORS, OVERMOLDS, FERRITES MAY VARY SLIGHTLY FROM THE PICTURE BELOW

CABLE TYPE

| | |
|--|--|
| CABLE LENGTH (mm) | N/A |
| CABLE TOLERANCE (mm) | N/A |
| WIRE GAUGE (AWG) | N/A |
| CONDUCTORS | 4 |
| HANK DIMENSION (mm) | N/A |
| CABLE / CONNECTOR OVERMOLD COLOR | N/A |
| FERRITE TYPE AND DIMENSION | None |
| FERRITE NUMBER OF TURNS (Definition) | N/A |
| FERRITE DIMENSION FROM STRAIN RELIEF | N/A |
| FERRITE DIMENSION FROM PLUG | N/A |
| PLUG TYPE | Molex 2.54mm Pitch 4-Pin Header PN: 22-11-2042 MATES W/ PN: 22-01-2047 or Equivalent |
| OVERMOLDED | No |
| CONNECTOR PIN OUT | Pins 1 and 2: +V, Pins 3 and 4: -V |



Optional wiring kits available:

| PN/Ordering No | Length | End A | End B |
|------------------------------------|--------|-----------|------------------|
| XHP410070M7XHP4(R) | 70 | JST XHP-4 | JST XHP-4 |
| XHP410070M7MLX3(R) | 70 | JST XHP-4 | Molex 09-93-0300 |

Custom lengths, construction, cable types, ferrites, filters, and termination available upon request.

ADDITIONAL OUTPUT PLUG OPTIONS ARE AVAILABLE AT <https://www.globtek.com/connectors/>

STANDARD PLUGS AND CONNECTORS CAN BE SEEN ONLINE AT <https://www.globtek.com/connectors/>

CALCULATE VOLTAGE REGULATION/DROP WITH OUR ONLINE CALCULATOR: <https://en.globtek.com/output-cable-regulation-calculator/>

PROPRIETARY INFORMATION

PROPRIETARY OF GLOBTEK, INC. ANY REPRODUCTION, DISCLOSURE OR USE OF THIS DRAWING, IN WHOLE OR IN PART, IS HEREBY PROHIBITED EXCEPT AS SPECIFIED IN Page 11 of 17

WRITING BY GLOBTEK, INC. © GlobTek, Inc. 2019 - 2023

quest / 08/02/2023 10:51:50 PM GMT CLONED FROM GTM43007-A6030-F(R)

| | |
|--|---|
| <p>GlobTek, Inc. www.globtek.com 186 Veterans Drive, Northvale, NJ 07647 Tel. (201) 784-1000 Fax (201) 784-0111</p> | <p>Drawing Title: GTM43007-A6036-F, ICT / ITE / Medical Power Supply, Efficiency Level: N/A, Case Color/Style: PCB, Open Frame/Internal, Regulated Switchmode AC-DC Power Supply AC Adaptor, Input Rating: 100-240V~, 50-60 Hz, Molex Header (or equal) , Output Rating: 60W, 36.0V@1.66A, Output Configuration: N/A mm, N/A/4 Cond. , Molex 2.54mm Pitch 4-Pin Header PN: 22-11-2042 MATES W/ PN: 22-01-2047 or Equivalent, Ferrite: None, N/A, GT Cord # C0127, Pin Out: Pins 1 and 2: +V, Pins 3 and 4: -V, Blades/Input Cord: Not Applicable, Approvals: LPS 60950; VCCI; CB 62368; ETL 62368; EAC; UKCA; Conforms to 62368-1; CCC; Book 60601; China RoHS; Class I; RoHS; Ukraine; WEEE; CE; CB 60601-1 2MOPP (6W max); CE; FCC; CB 60950; CB EN/IEC 60335-1; cETLus; cETLus ES60601; cETLus 60601-1 3rd; Level V; WDaE; Fuse 60335; Fuse 60335;</p> |
| | <p>Model No. GTM43007-A6036-F</p> |
| | <p>Part No./Ordering No. GTM43007-A6036-F(R) Rev A</p> |

OUTPUT CONNECTOR HOOK UP

TO ADDRESS SYSTEM-LEVEL EMI CONCERNS, FERRITE CHOKES/BEADS MAY BE ADDED/REVISED UPON REQUEST. A SAMPLE KIT OF GLOBTEK'S STANDARD FERRITES IS AVAILABLE UNDER GLOBTEK P/N: EMI-MITIGATION-KIT1

FOR ADDITIONAL INFORMATION, PLEASE READ OUR WHITE PAPER AT:

<https://en.globtek.com/technical-articles/ferrite-kit-radiated-emi-suppression-kit-for-globtek-power-supplies-cable-assemblies>

| | | |
|--|--|-------|
| GloTek, Inc. www.globtek.com 186 Veterans Drive, Northvale, NJ 07647 Tel. (201) 784-1000 Fax (201) 784-0111 | Drawing Title: GTM43007-A6036-F, ICT / ITE / Medical Power Supply, Efficiency Level: N/A, Case Color/Style: PCB, Open Frame/Internal, Regulated Switchmode AC-DC Power Supply AC Adaptor, Input Rating: 100-240V~, 50-60 Hz, Molex Header (or equal) , Output Rating: 60W, 36.0V@1.66A, Output Configuration: N/A mm, N/A/4 Cond. , Molex 2.54mm Pitch 4-Pin Header PN: 22-11-2042 MATES W/ PN: 22-01-2047 or Equivalent, Ferrite: None, N/A, GT Cord # C0127, Pin Out: Pins 1 and 2: +V, Pins 3 and 4: -V, Blades/Input Cord: Not Applicable, Approvals: LPS 60950; VCCI; CB 62368; ETL 62368; EAC; UKCA; Conforms to 62368-1; CCC; Book 60601; China RoHS; Class I; RoHS; Ukraine; WEEE; CE; CB 60601-1 2MOPP (6W max); CE; FCC; CB 60950; CB EN/IEC 60335-1; cETLus; cETLus ES60601; cETLus 60601-1 3rd; Level V; WDaE; Fuse 60335; Fuse 60335; | |
| | Model No. GTM43007-A6036-F | |
| | Part No./Ordering No. GTM43007-A6036-F(R) | Rev A |

LABEL:L-1186

| | |
|--------------------------------|--|
| LABEL P/N | Standard GT |
| MATERIAL | Flat Thermal Transfer, Imprintable, Polyester Label and/or Pad Printed and/or Molded, and/or Laser Engraved in the case |
| BACKGROUND COLOR | Black if housing is Black, White or Silver if housing is White or Gray. |
| TEXT COLOR | White or Silver if label is Black Background for Black housing. Black if label is White or Silver background and Housing is White or Gray. |
| LABEL WIDTH (mm) | 25.0 |
| LABEL HEIGHT (mm) | 18.0 |
| SPECIAL BARCODE LABEL MATERIAL | No |

Below is the minimum information which will appear on the label. NOTE: in the logo area additional/actual positioning of symbols and text is subjected to change as per agency updates/requirements or additional model approvals become available.
Regulatory certifications/label markings may be in logo area on the label or molded into the case housing outside the label area.
Information will be shown via label and/or pad printed and/or molded and/or laser engraved in the case. * Date code markings at GlobTek option



or
DATE CODE B *:
WWYY
WW = WEEK
YY = YEAR

- A=ICT / ITE / Medical Power Supply
- B=P/N: (料号) GTM43007-A6036-F(R)
- C=Model (型号) GTM43007-A6036-F
- D=Input (输入)100-240V~, 50-60 Hz, 1.5A
- E=Output (输出)36.0 V 1.66 A, 60.00W

| | | |
|--|--|-------|
| GloTek, Inc. www.globtek.com 186 Veterans Drive, Northvale, NJ 07647 Tel. (201) 784-1000 Fax (201) 784-0111 | Drawing Title: GTM43007-A6036-F, ICT / ITE / Medical Power Supply, Efficiency Level: N/A, Case Color/Style: PCB, Open Frame/Internal, Regulated Switchmode AC-DC Power Supply AC Adaptor, Input Rating: 100-240V~, 50-60 Hz, Molex Header (or equal) , Output Rating: 60W, 36.0V@1.66A, Output Configuration: N/A mm, N/A/4 Cond. , Molex 2.54mm Pitch 4-Pin Header PN: 22-11-2042 MATES W/ PN: 22-01-2047 or Equivalent, Ferrite: None, N/A, GT Cord # C0127, Pin Out: Pins 1 and 2: +V, Pins 3 and 4: -V, Blades/Input Cord: Not Applicable, Approvals: LPS 60950; VCCI; CB 62368; ETL 62368; EAC; UKCA; Conforms to 62368-1; CCC; Book 60601; China RoHS; Class I; RoHS; Ukraine; WEEE; CE; CB 60601-1 2MOPP (6W max); CE; FCC; CB 60950; CB EN/IEC 60335-1; cETLus; cETLus ES60601; cETLus 60601-1 3rd; Level V; WDaE; Fuse 60335; Fuse 60335; | |
| | Model No. GTM43007-A6036-F | |
| | Part No./Ordering No. GTM43007-A6036-F(R) | Rev A |

| | |
|---|---|
| AGENCY ONLINE DOCUMENTS | http://www.globtek.info/certs/GTM43007/ |
| CE EC-Declaration for Medical | http://globtek.force.com/models/ec_declaration_product?id=01t0c0000097le8&m=1 |
| CE EC-Declaration for Industrial/Commercial/ITE | http://globtek.force.com/models/ec_declaration_product?id=01t0c0000097le8&i=3 |
| CE EC-Declaration for Household | Contact GlobTek for more information |
| UKCA-Declaration for Medical | http://globtek.force.com/models/ukca_declaration_product?id=01t0c0000097le8&m=1 |
| UKCA-Declaration for Industrial/Commercial/ITE | http://globtek.force.com/models/ukca_declaration_product?id=01t0c0000097le8&i=3 |
| UKCA-Declaration for Household | Contact GlobTek for more information |
| Morocco SDoC Declaration | https://globtek.secure.force.com/models/Morocco_SDoC_Declaration?id=a0Oa000000K8gLUEAZ |
| RoHS/RoHS3 Declaration | https://www.globtek.com/pdf/rohs_cert/01t0c0000097le8AAE |
| REACH Declaration | https://www.globtek.com/pdf/iso_certificates/REACH.pdf |
| Conflict Minerals Declaration | https://www.globtek.com/pdf/conflict-minerals.pdf |
| Prop 65 Statement | https://en.globtek.com/prop-65-statement.pdf |

IPXY rating is based on 3rd party testing and customers should check suitability and test system level IPXY rating before ordering.

Regulatory Certifications/Label Markings

Below follows a link to the latest regulatory certifications and marks for this specific product. National standards as well as certification schemes are constantly changing and so is the set of certification marks and symbols applicable to this product. Various standards, marks and symbols, and certificates are subject to change at any time without notice.

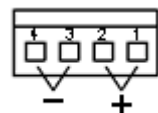
Additional standards or unique country certifications are available upon request. Please contact Globtek to request a quotation.

LATEST PRODUCT/MODEL CERTIFICATIONS: <https://www.globtek.com/datasheet/w70921>

AGENCY ONLINE DOCUMENTS <http://www.globtek.info/certs/GTM43007/>



(E1) Earthed output



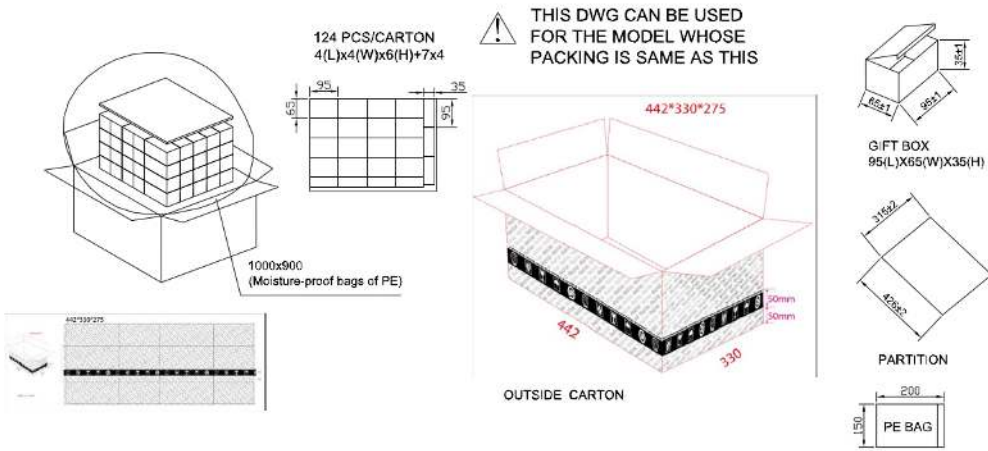
Pins 1 and 2: +V,
Pins 3 and 4: -V

| | | |
|---|--|-------|
| GlobTek, Inc. www.globtek.com 186 Veterans Drive, Northvale, NJ 07647 Tel. (201) 784-1000 Fax (201) 784-0111 | Drawing Title: GTM43007-A6036-F, ICT / ITE / Medical Power Supply, Efficiency Level: N/A, Case Color/Style: PCB, Open Frame/Internal, Regulated Switchmode AC-DC Power Supply AC Adaptor, Input Rating: 100-240V~, 50-60 Hz, Molex Header (or equal) , Output Rating: 60W, 36.0V@1.66A, Output Configuration: N/A mm, N/A/4 Cond. , Molex 2.54mm Pitch 4-Pin Header PN: 22-11-2042 MATES W/ PN: 22-01-2047 or Equivalent, Ferrite: None, N/A, GT Cord # C0127, Pin Out: Pins 1 and 2: +V, Pins 3 and 4: -V, Blades/Input Cord: Not Applicable, Approvals: LPS 60950; VCCI; CB 62368; ETL 62368; EAC; UKCA; Conforms to 62368-1; CCC; Book 60601; China RoHS; Class I; RoHS; Ukraine; WEEE; CE; CB 60601-1 2MOPP (6W max); CE; FCC; CB 60950; CB EN/IEC 60335-1; cETLus ES60601; cETLus 60601-1 3rd; Level V; WDaE; Fuse 60335; Fuse 60335; | |
| | Model No. GTM43007-A6036-F | |
| | Part No./Ordering No. GTM43007-A6036-F(R) | Rev A |

PACKAGING

| | |
|---------------------------------|-----------------------------|
| Packing Spec P/N | Packing GTM43007-AWWWV-F(W) |
| Box Qty | 60 |
| Gift Box Size (mm) | Egg Crate |
| Gift Box Color | None |
| Master Carton Size (mm) | 260 x 396 x 260 |
| Master Carton Cubic Volume (m³) | 0.03 |
| Master GW (Kg) | 20.0 kg |
| BLADES INCLUDED | N/A: Not Applicable |
| BLADE/CORD INSTALLED | N/A: Not Applicable |
| USER MANUAL* | N/A User Manual |
| USER MANUAL WEB LINK | |

* This specification sheet is considered the user manual for all applications. It is expected that the buyer of this product will use it to formulate their own user manual for their end product and a user manual specifically for the power adapter is not usually required. If a user manual is not specifically listed above then none will be provided with this unit.



| | |
|--|---|
| <p>GlobTek, Inc. www.globtek.com 186 Veterans Drive, Northvale, NJ 07647 Tel. (201) 784-1000 Fax (201) 784-0111</p> | <p>Drawing Title: GTM43007-A6036-F, ICT / ITE / Medical Power Supply, Efficiency Level: N/A, Case Color/Style: PCB, Open Frame/Internal, Regulated Switchmode AC-DC Power Supply AC Adaptor, Input Rating: 100-240V~, 50-60 Hz, Molex Header (or equal) , Output Rating: 60W, 36.0V@1.66A, Output Configuration: N/A mm, N/A/4 Cond. , Molex 2.54mm Pitch 4-Pin Header PN: 22-11-2042 MATES W/ PN: 22-01-2047 or Equivalent, Ferrite: None, N/A, GT Cord # C0127, Pin Out: Pins 1 and 2: +V, Pins 3 and 4: -V, Blades/Input Cord: Not Applicable, Approvals: LPS 60950; VCCI; CB 62368; ETL 62368; EAC; UKCA; Conforms to 62368-1; CCC; Book 60601; China RoHS; Class I; RoHS; Ukraine; WEEE; CE; CB 60601-1 2MOPP (6W max); CE; FCC; CB 60950; CB EN/IEC 60335-1; cETLus; cETLus ES60601; cETLus 60601-1 3rd; Level V; WDaE; Fuse 60335; Fuse 60335;</p> |
| | <p>Model No. GTM43007-A6036-F</p> |
| | <p>Part No./Ordering No. GTM43007-A6036-F(R) Rev A</p> |

INSTRUCTIONS TO THE OEM SYSTEMS ENGINEER

It is the responsibility of the OEM systems engineer to provide the end system user instructions and warnings for the use of this product in the end system.

If an input cord is required for this product, AC Mains voltage should be provided to the power supply by a power supply cord approved to the national standards of the country in which it will be used.

This product is not designed to be repaired. No serviceable parts inside. A blown internal fuse is an indication of catastrophic failure of circuit component(s). If a Failure Analysis is required for a failed power supply/battery charger, please return the damaged unit to GlobTek for an accurate determination of the root cause of the failure.

EMC Compliance of the complete OEM product, including the GlobTek power supply/battery charger needs to be verified by the OEM systems engineer.

INSTRUCTION SHEET

N/A

| | | |
|--|--|-------|
| <p>GlobTek, Inc. www.globtek.com 186 Veterans Drive, Northvale, NJ 07647 Tel. (201) 784-1000 Fax (201) 784-0111</p> | Drawing Title: GTM43007-A6036-F, ICT / ITE / Medical Power Supply, Efficiency Level: N/A, Case Color/Style: PCB, Open Frame/Internal, Regulated Switchmode AC-DC Power Supply AC Adaptor, Input Rating: 100-240V~, 50-60 Hz, Molex Header (or equal) , Output Rating: 60W, 36.0V@1.66A, Output Configuration: N/A mm, N/A/4 Cond. , Molex 2.54mm Pitch 4-Pin Header PN: 22-11-2042 MATES W/ PN: 22-01-2047 or Equivalent, Ferrite: None, N/A, GT Cord # C0127, Pin Out: Pins 1 and 2: +V, Pins 3 and 4: -V, Blades/Input Cord: Not Applicable, Approvals: LPS 60950; VCCI; CB 62368; ETL 62368; EAC; UKCA; Conforms to 62368-1; CCC; Book 60601; China RoHS; Class I; RoHS; Ukraine; WEEE; CE; CB 60601-1 2MOPP (6W max); CE; FCC; CB 60950; CB EN/IEC 60335-1; cETLus; cETLus ES60601; cETLus 60601-1 3rd; Level V; WDaE; Fuse 60335; Fuse 60335; | |
| | Model No. GTM43007-A6036-F | |
| | Part No./Ordering No. GTM43007-A6036-F(R) | Rev A |

