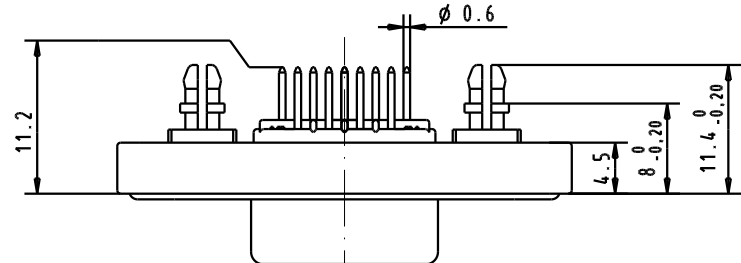
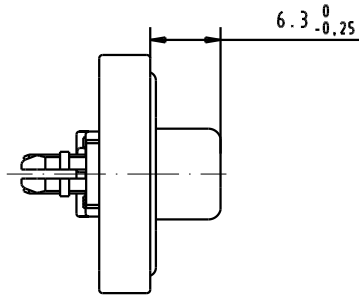
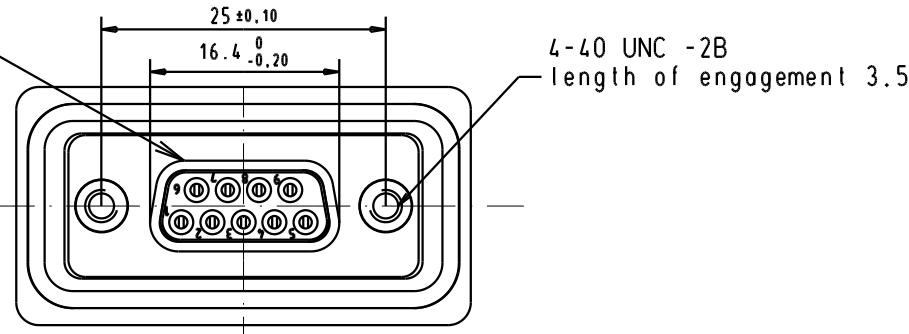


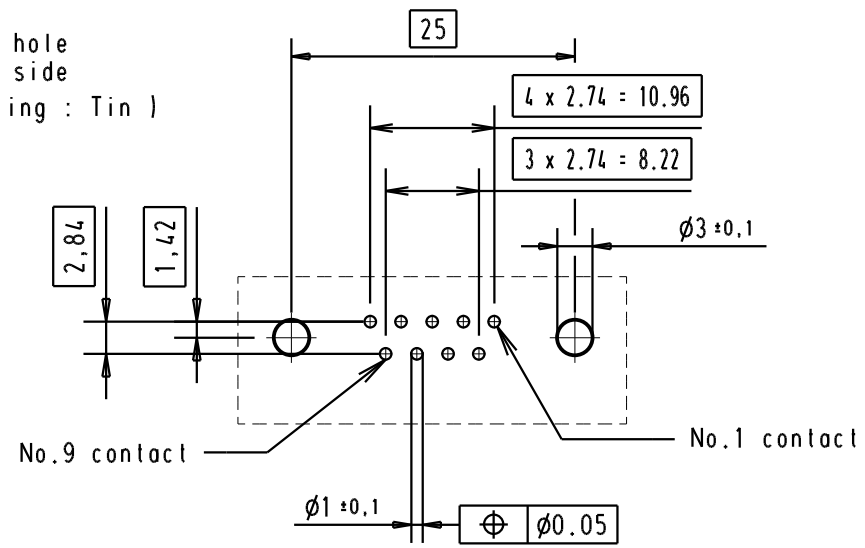
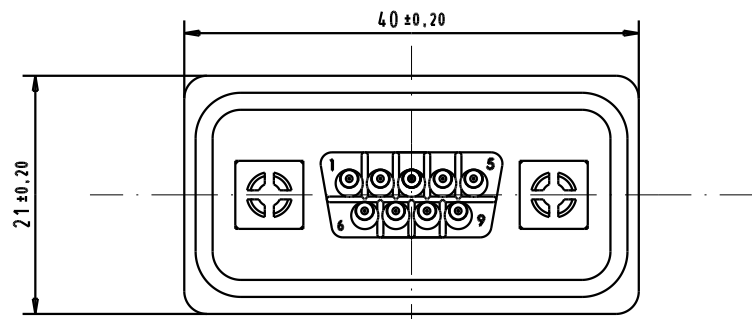
5 4 3 2 1

Mating face according to : MIL-C-24308 / DIN 41652 / CECC 75.01-802



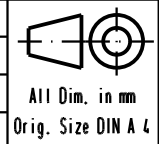
1) Protection standard IP 67 according to IEC 529 / DIN 40050.

PCB layout hole component side
(PCB holes plating : Tin)



09 67 509 6775	Au plating 0,76 μ m mini
Part Number	Performance Level

			Dat.	Name
			10/10/03	S.H.
			Insp.	
			Stand.	
31559	10/10/03	S.H.	HARTING ELEKTRONIK F-95972 Paris	
Mod.	Dat.	Name		



D-SUB IP67 female 9 Poles
straight solder pin with
4-40 UNC Spacer and clip

Maßstab/ Scale
Blatt/ Page

TB 09 67 509 6775
Sub.

