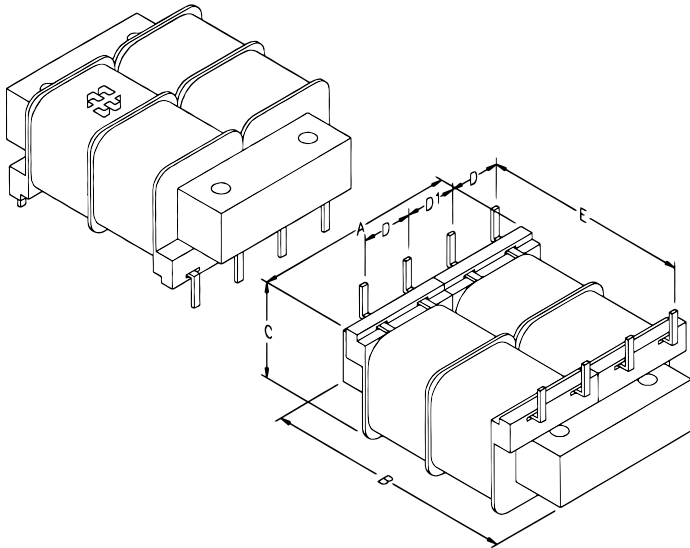




Power Transformer - Dual Primary Low Voltage PC Board Mount - Low Profile

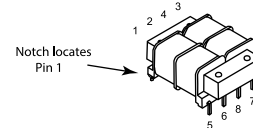


Features

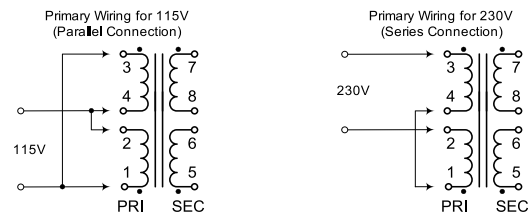
- Low profile mounting, dual - split bobbin design.
- Low primary to secondary coupling, balanced windings, no electrostatic shield required and low EMF radiation due to semi-toroidal design.
- Universal dual primary 115/230V - 50/60 Hz.
- High insulation - Hipot of 1,750V RMS.
- Class B insulation - 130 degrees C.
- C UL US recognized.

Connection Information - 229 Series Transformers

| Mechanical | |
|--------------------------|-----------------------------|
| A | 2.00" (51 mm) |
| B | 2.50" (64 mm) |
| C | 1.07" (27 mm) |
| D | 0.50" (13 mm) |
| D1 | 0.50" (13 mm) |
| E | 2.00" (51 mm) |
| PC Board Spacing | 1.25" (32 mm) |
| Pin Size | 0.02" x 0.04" (1 mm x 1 mm) |
| Electrical | |
| Size (VA) | 12 |
| Primary | 115 /230V, 50 /60Hz |
| Secondary (RMS) Series | 30V C.T. @ 400ma |
| Secondary (RMS) Parallel | 15V @ 800ma |
| Regulation | 20% |



Primary Connections - 229 Series Transformers



Secondary Connections - 229 Series Transformers

