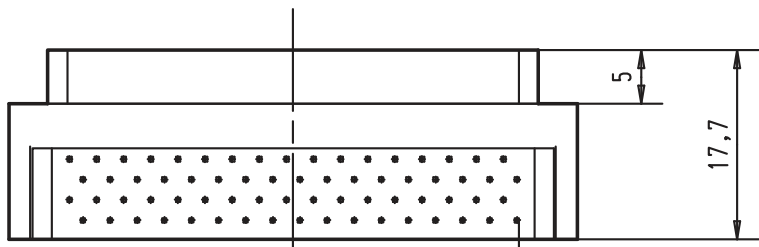
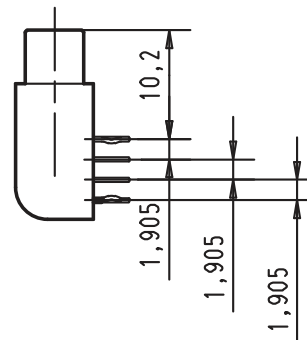
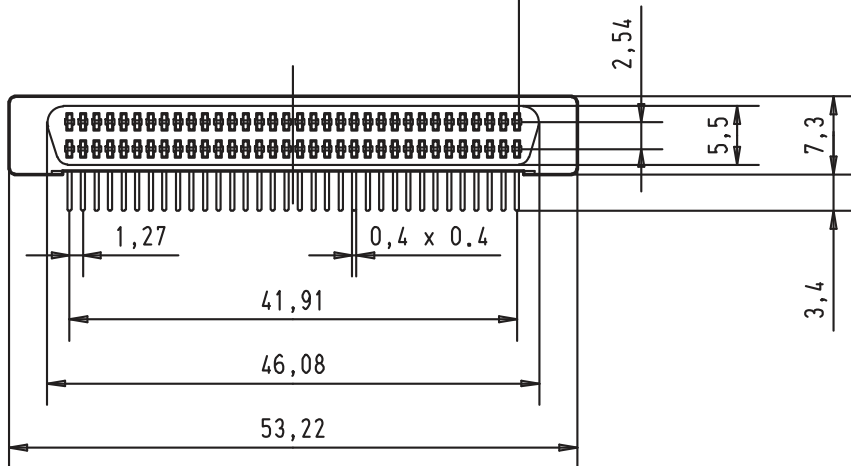


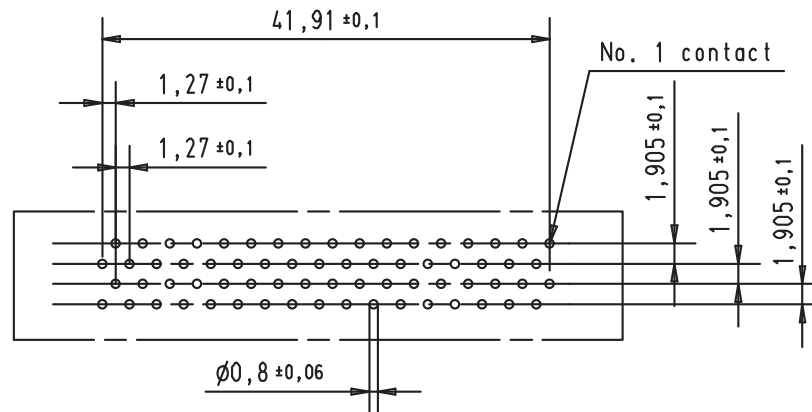
5 4 3 2 1



No.1 contact





Printed Board Layout  
component side



Kinked pins on positions  
36-38 and 66-68

D  
C  
B  
A

			Det.	Name	 All Dim. in mm Orig. Size DIN A 4	har.mik® I/O pin/socket board to board 68 poles female connector kinked with angled solder pins	Maßstab/ Scale 1,5:1	
			Detail.	30-AUG-00		Atspace		
			Insp.					
			Stand.					
27941	30-AUG-00	Atspace	HARTING EURL F-95972 Paris				TB 60 05 068 5143	Blatt/ Page 1 / 1
Mod.	Det.	Name					Sub.	