

HSBP/HSIP - SERIES

BUL10413

REV. A

ASSEMBLY INSTRUCTIONS FOR HSBP/HSIP SIDE INNER PANELS

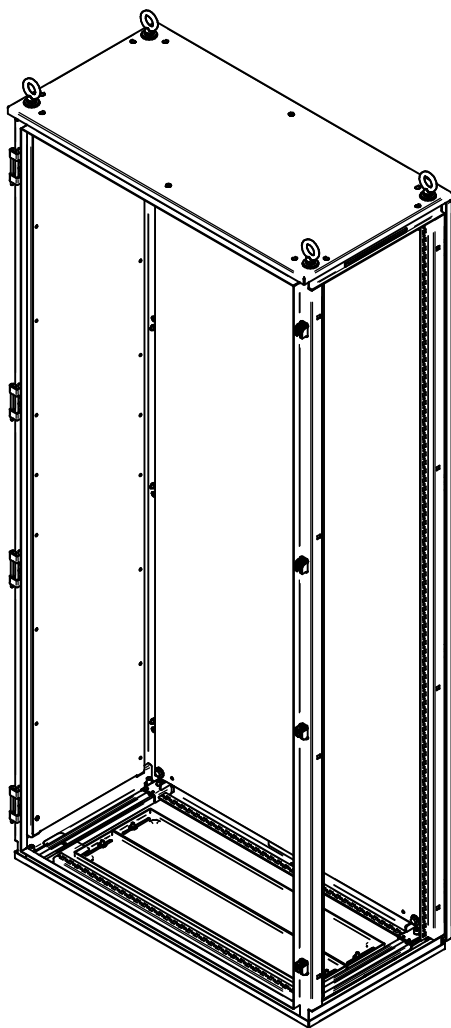


FIG 1. SIDE MTG BARRIER PANEL

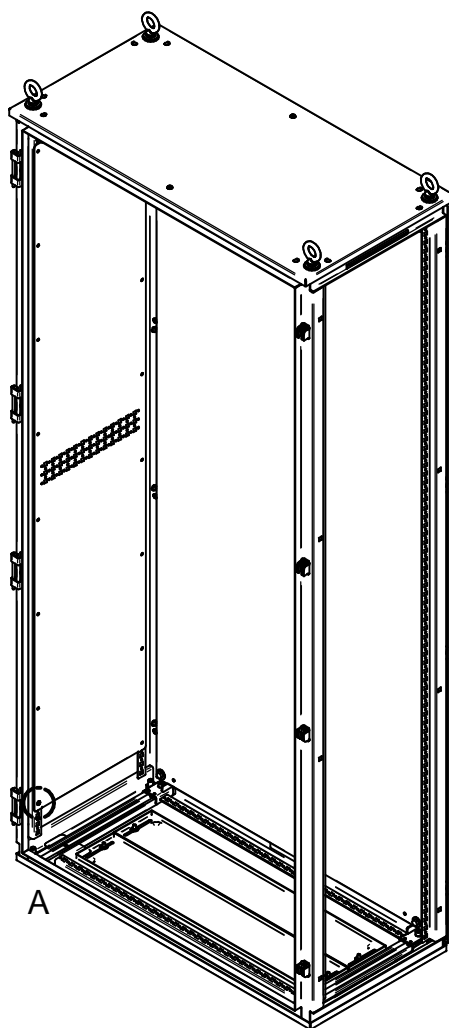


FIG 2. SIDE MTG INNER PANEL

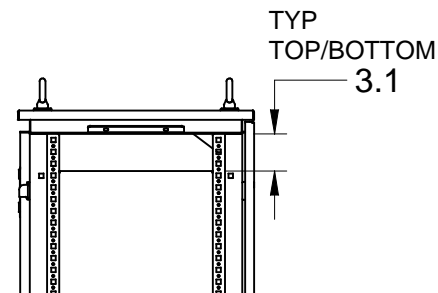
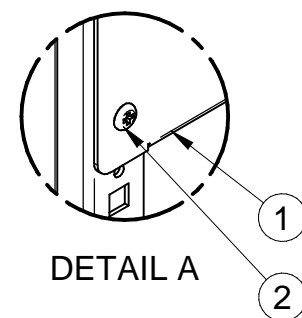


FIG 3. SIDE VIEW



DETAIL A

INSTRUCTIONS:

A) Center panel inside of cabinet frame with the flanges facing outward. Align holes and fasten using supplied self tapping screws. To center Side Mtg Inner Panel see FIG.3.

ITEM	DESCRIPTION	QTY
1	Side Mtg. Inner/Barrier Panel	1
2	Screw #12X1/2 Pan Head Phillips	-

TOOL BOX	Phillips Screw Driver

**HAMMOND
MANUFACTURING™**
www.hammondmfg.com