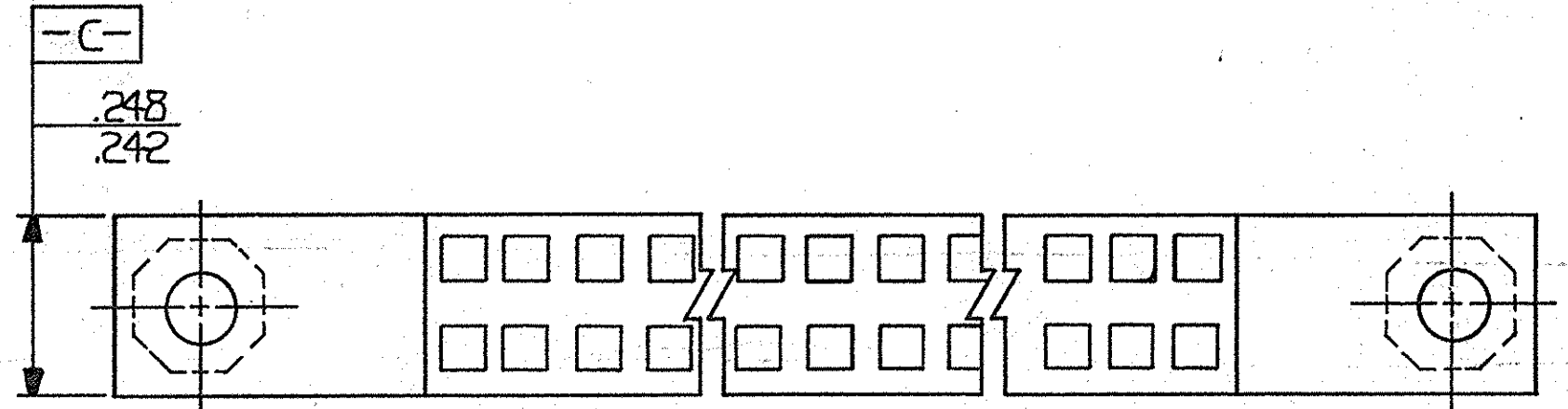
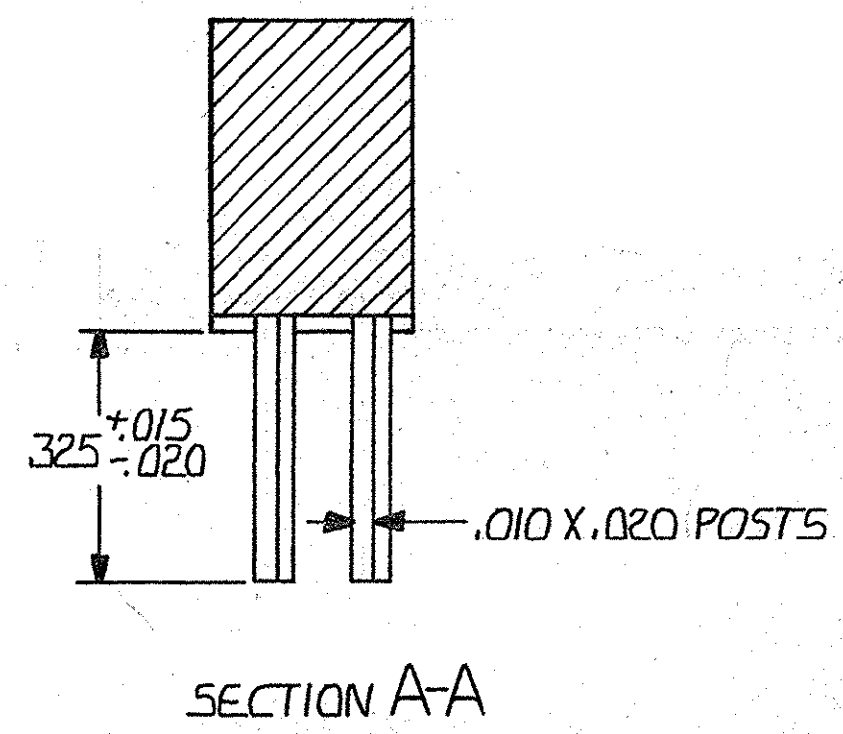
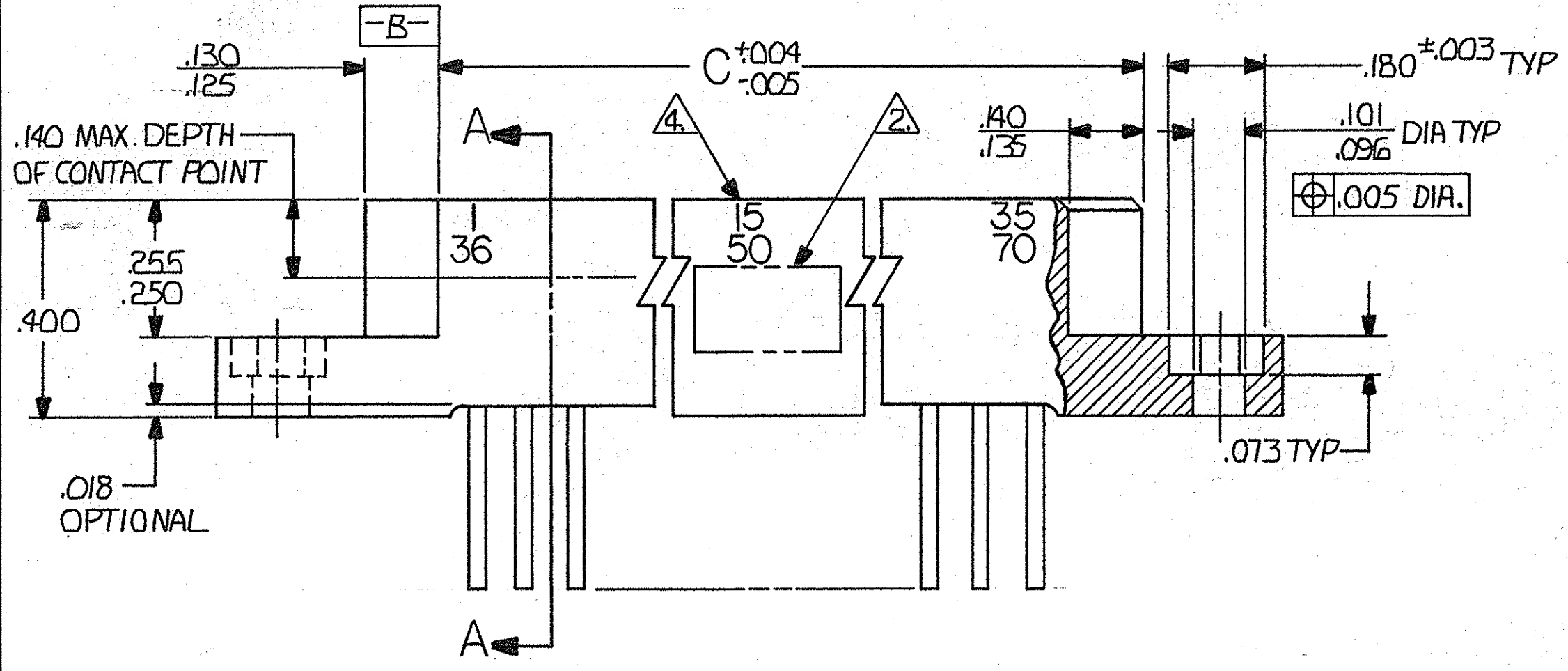
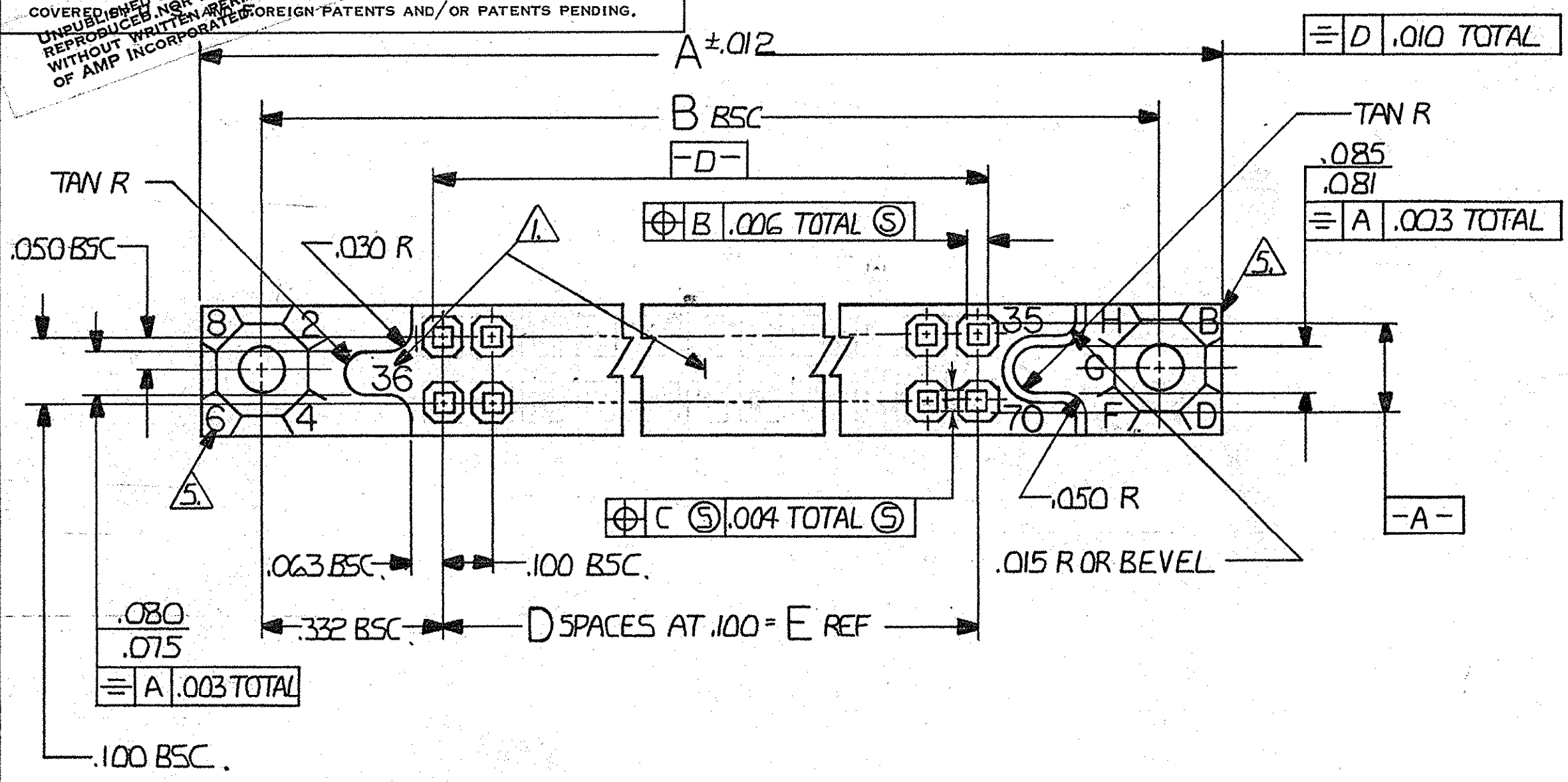


© COPYRIGHT 1977 BY AMP INCORPORATED, HARRISBURG, PA. ALL INTERNATIONAL RIGHTS RESERVED. AMP INCORPORATED PRODUCTS COVERED BY U.S. PATENTS AND FOREIGN PATENTS AND/OR PATENTS PENDING. UNREPRODUCED OR REPRODUCED WITHOUT WRITTEN PERMISSION OF AMP INCORPORATED.

REVISIONS					
P	F	ZONE	LTR	DESCRIPTION	DATE APPROVED
			01	REVISED 5061 M.S.	2-2-77
			02	ADDED 4 P/N SHT. 2 6150 M.S.	7-25-79 R9
			03	MIL. P/N'S ASSIGNED	4-80 DLK 110
			04	REVISED PER ECN 8248 WA	12-82 DJM
			A	REV. PER ECN AB-0535	01-02-85 JEA/11
			B	REV PER DF-2240	10-4-84 JSH
			C	REV PER 0600-5859-96	4-98 JPL
			D	REV PER ECO-05-013278	11-05 PY



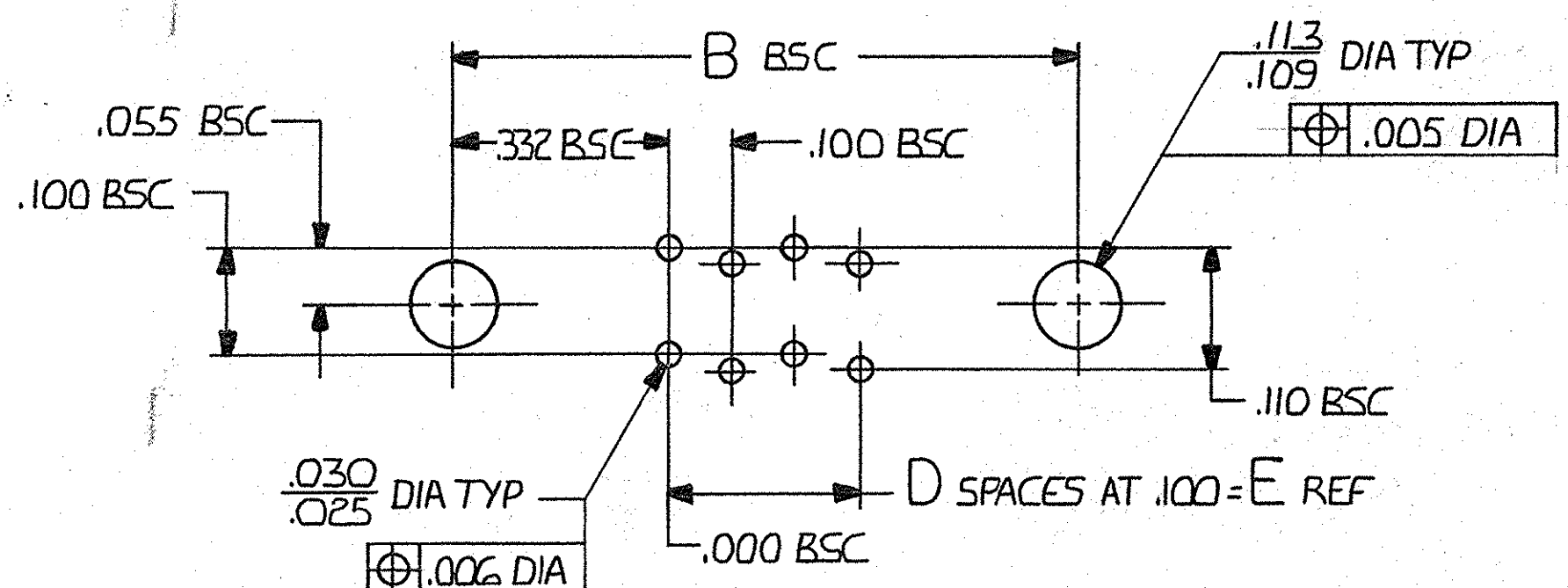
UNLESS OTHERWISE SPECIFIED DIMENSIONS ARE IN INCHES. TOLERANCES ON: DECIMALS ±.005 ANGLES 1/8		CONTRACT NO		PART NO	
MATERIAL		DR Robert Walters 11-12-76		AMP INCORPORATED Harrisburg, Pa.	
FINISH		CHK R. Williams 11-23-76		NAME BOX CONNECTOR RECEPTACLE ASSY .100 GRID EXTERNAL KEYING	
		APPD R. Williams 11-23-76		SIZE CODE IDENT NO DRAWING NO	
		APPD D. Co. Myers 11-29-76		C 00779 530776	
		DSGN APPD		SCALE 4-1 SHEET 1 OF 2	
		OTHER APPD		CUSTOMER DRAWING	

© COPYRIGHT 1976 BY AMP INCORPORATED, HARRISBURG, PA.
ALL INTERNATIONAL RIGHTS RESERVED. AMP INCORPORATED PRODUCTS
COVERED BY U. S. PATENTS AND/OR PATENTS PENDING.

UNPUBLISHED OR REPRODUCED
WITHOUT WRITTEN PERMISSION
OF AMP INCORPORATED.

REVISIONS						
P	F	ZONE	LTR	DESCRIPTION	DATE	APPROVED
✓	✓		D	(SEE SHEET 1 OF 2)		

1. NUMBERS AND LINES INDICATING EVERY FIVE CAVITIES MOLDED OR MARKED ON MATING FACE.
2. AMP PART NUMBER DATE CODE, 00779 & MILITARY PART NUMBER MOLDED OR MARKED THIS AREA. SIDE OPTIONAL
3. MUST MEET ALL APPLICABLE REQUIREMENTS OF MIL-C-55302.
4. NUMBERS INDICATING EVERY FIVE CAVITIES MOLDED OR MARKED ON SIDE.
5. KEY POSITION IDENTIFICATION MOLDED ON SURFACES SHOWN.
6. USE EXTERNAL KEY NUMBER 530341-1 MATES WITH PART NUMBER 530339.
7. HOUSING MATERIAL: DIALYL PHTHALATE COLOR: BLUE PER MIL-M-14 TYPE 50G-F.
8. CONTACT MATERIAL: BERYLLIUM COPPER OR COPPER-NICKEL-SILICONE
FINISH: .000050 GOLD OVER NICKEL, TIN-LEAD ON TAILS



RECOMMENDED PRINTED CIRCUIT BOARD LAYOUT
(CONNECTOR SIDE)

M55302/27-201	71	140 ⁷⁰	6.900	69	7.165	7.565	7.855	140	1-530776-3
M55302/27-200	68	134 ⁶⁷	6.600	66	6.865	7.265	7.555	134	1-530776-2
M55302/27-199	66	130 ⁶⁵	6.400	64	6.665	7.065	7.355	130	1-530776-1
M55302/27-198	61	120 ⁶⁰	5.900	59	6.165	6.565	6.855	120	1-530776-0
M 55302/27-117	56	110 ⁵⁵	5.400	54	5.665	6.065	6.355	110	530776-9
M 55302/27-116	51	100 ⁵⁰	4.900	49	5.165	5.565	5.855	100	530776-8
M 55302/27-115	46	90 ⁴⁵	4.400	44	4.665	5.065	5.355	90	530776-7
M 55302/27-114	41	80 ⁴⁰	3.900	39	4.165	4.565	4.855	80	530776-6
M 55302/27-113	36	70 ³⁵	3.400	34	3.665	4.065	4.355	70	530776-5
M 55302/27-112	31	60 ³⁰	2.900	29	3.165	3.565	3.855	60	530776-4
M 55302/27-111	26	50 ²⁵	2.400	24	2.665	3.065	3.355	50	530776-3
M 55302/27-110	21	40 ²⁰	1.900	19	2.165	2.565	2.855	40	530776-2
M 55302/27-109	16	30 ¹⁵	1.400	14	1.665	2.065	2.355	30	530776-1
M 55302									
PART NUMBER	CONTACT IDENTIFICATION NO		E	D	C	B	A	NO OF CONTACTS	PART NO

UNLESS OTHERWISE SPECIFIED DIMENSIONS ARE IN INCHES. TOLERANCES ON: DECIMALS ±.005 ANGLES ±.005	CONTRACT NO	AMP INCORPORATED Harrisburg, Pa.
	DR Robert Waler 11-12-76 CHK R. Williams 11-23-76 APPD R. Williams 11-23-76 APPD R. Myers 11-29-76	
MATERIAL	DSGN APPD	NAME BOX CONNECTOR RECEPTACLE ASSY .100 GRID EXTERNAL KEYING
FINISH	OTHER APPD	SIZE CODE IDENT NO DRAWING NO C 00779 530776
		SCALE 4-1 SHEET 2 OF 2

530776