

Specifications

Material

Insulator: PA9T, UL 94V-0, Black
 Contact: Copper Alloy
 Mid Plate: Stainless Steel
 EMI Plate: Stainless Steel
 Shell: Stainless Steel

Plating

Contact
 Contact Area: 3u" Au over 50µ" min. Nickel
 Solder Tails: Gold Flash over 50µ" min. Nickel
 Shell: 30µ" min. Nickel
 Mid Plate: Clear
 EMI Plate: Clear

Electrical

Current Rating: 5.00A collectively for Vbus pins
 6.25A collectively for GND pins
 1.25A for A5/B5 pin
 0.25A per pin for all other pins

Voltage Rating: 48V DC

Power Rating: 240W

Contact Resistance: 40mΩ max initial.

50mΩ max after test

Dielectric Withstanding Voltage: 100V AC

Insulation Resistance 100MΩ min

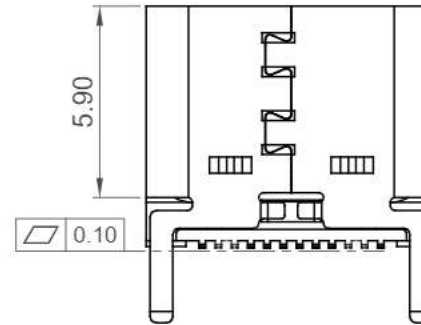
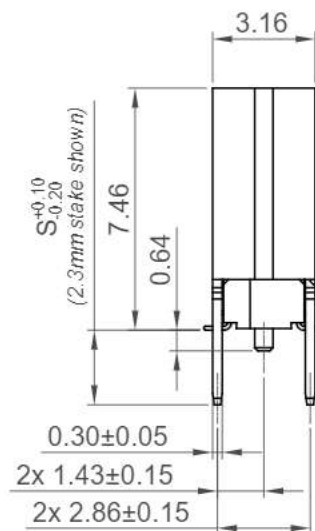
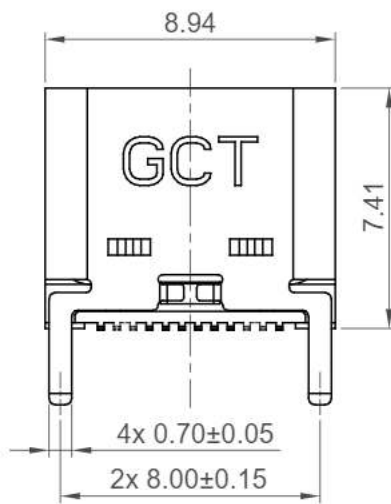
Mechanical & Environmental

Operating Temperature: -25°C to +85°C

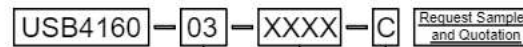
Mating Force: 5 to 20 N.

Unmated Force: 6 to 20 N after test

Durability: 20K cycles



Ordering Grid



Contact Plating
 03 = 3u" Gold

Packing Options

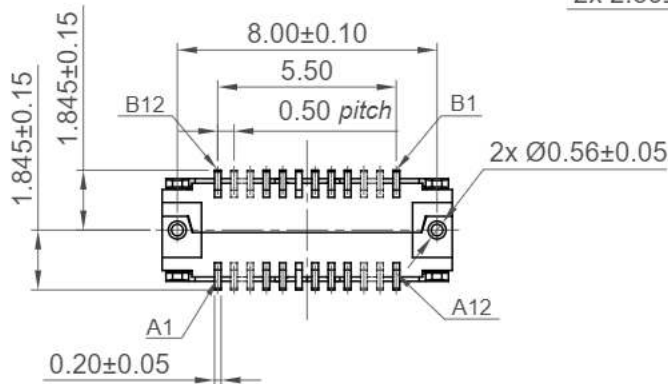
C = Tape & Reel with Cap

Shell Stake Length "S"

0070 = 0.70mm

0170 = 1.70mm

0230 = 2.30mm



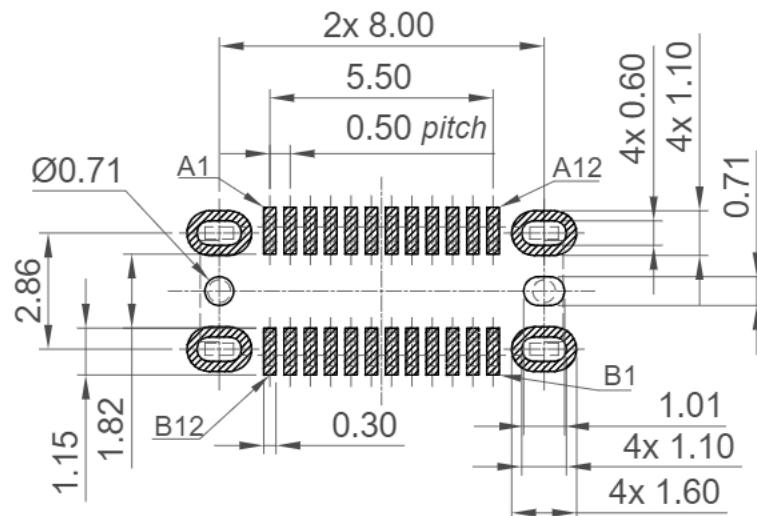
Part Number		Product Description	
USB4160		USB3.2 Gen2, Type C Receptacle, Vertical, SMT, H=7.46mm, 24 Pin	
Drawing Date		28th June 2022	
By	CC	Tolerances (Except as Noted)	Units:
Detail	Drawing Release	Length	Metric (mm)
Revision	A2	Angle	
Date	31/01/23	X.X ± 0.30	
		X.XX ± 0.20	
		X.XXX ± 0.10	



This drawing is confidential and copyright of Global Connector Technology, Ltd (GCT). This drawing must not be copied or disclosed without written consent. E & OE






Not to Scale Drawn By CC Sheet No. 1/4







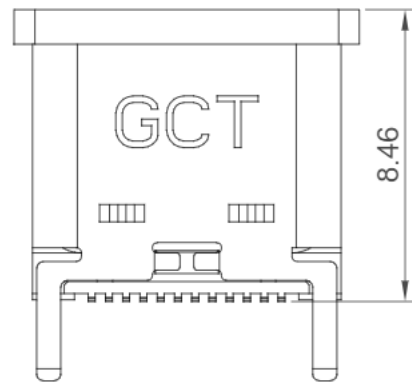
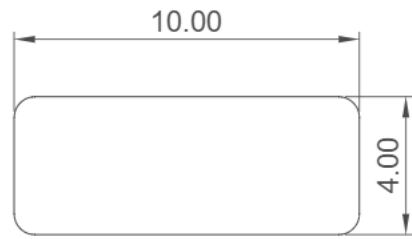
Recommended PCB Layout

Tolerance: $\pm 0.05\text{mm}$

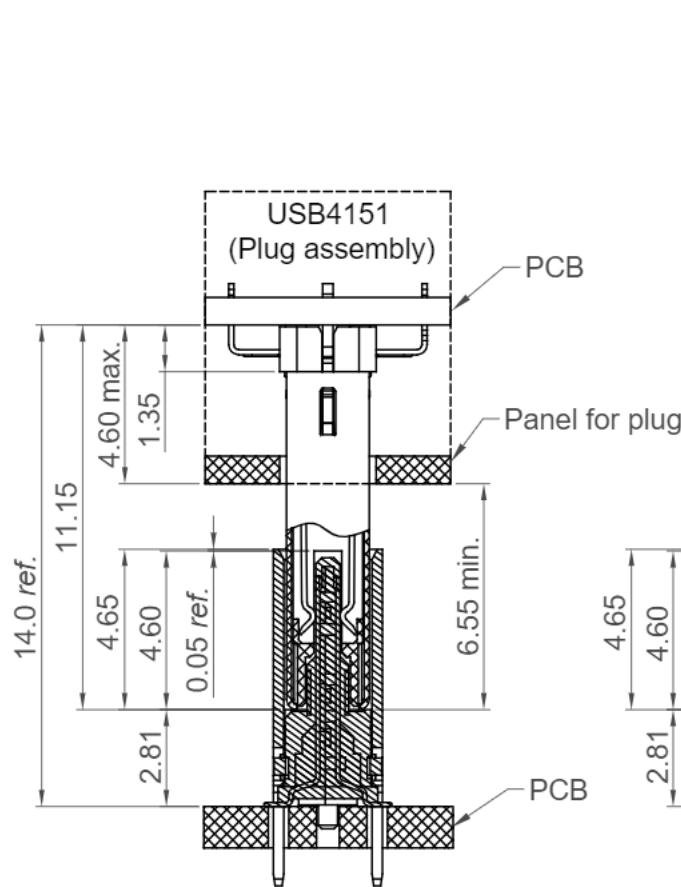
 Solder Area
  Keep Out Area
  Component Outline

Pin	Signal	Mating Sequence	Pin	Signal	Mating Sequence
A1	GND	First	B12	GND	First
A2	SSTXp1	Second	B11	SSRXp1	Second
A3	SSTXn1	Second	B10	SSRXn1	Second
A4	Vbus	First	B9	Vbus	First
A5	CC1	Second	B8	SBU2	Second
A6	Dp1	Second	B7	Dn2	Second
A7	Dn1	Second	B6	Dp2	Second
A8	SBU1	Second	B5	CC2	Second
A9	Vbus	First	B4	Vbus	First
A10	SSRXn2	Second	B3	SSTXn2	Second
A11	SSRXp2	Second	B2	SSTXp2	Second
A12	GND	First	B1	GND	First
SHELL		GND	SHELL		GND

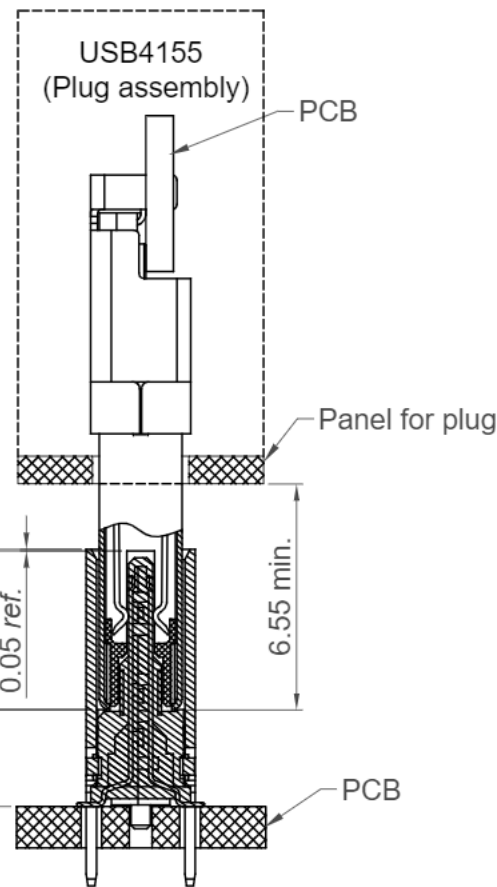
Part Number		Product Description			
USB4160		USB3.2 Gen2, Type C Receptacle, Vertical, SMT, H=7.46mm, 24 Pin			
Drawing Date		28th June 2022			
By	CC	Tolerances (Except as Noted)	Units:	  This drawing is confidential and copyright of Global Connector Technology, Ltd (GCT). This drawing must not be copied or disclosed without written consent. E & OE	
Detail	Drawing Release	Length	Angle		
Revision	A2	X.X ± 0.30	-		
Date	31/01/23	X.XX ± 0.20	X.XXX ± 0.10		
		 2nd Angle Projection		 www.gct.co	
Not to Scale	Drawn By	CC	Sheet No.	2/4	



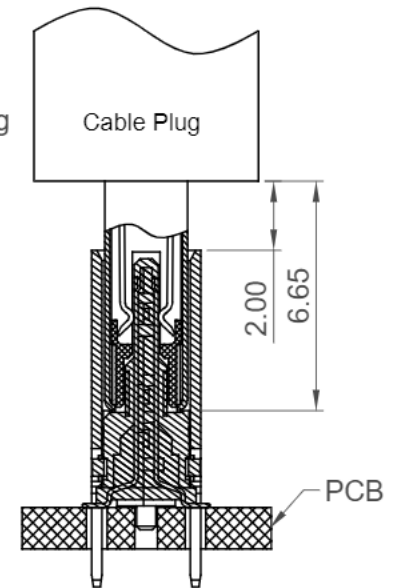
Cap Information



USB4160
(Receptacle assembly)



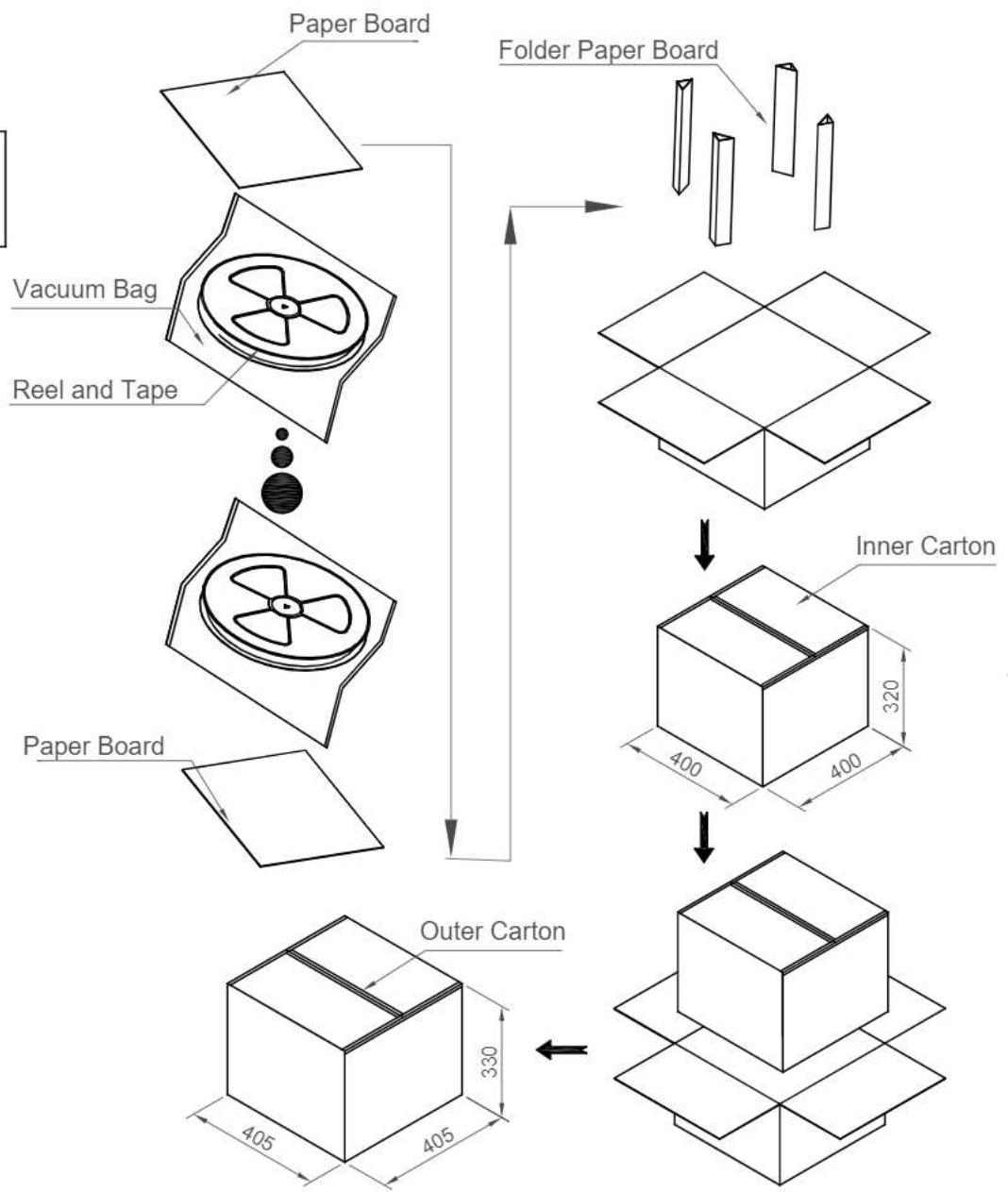
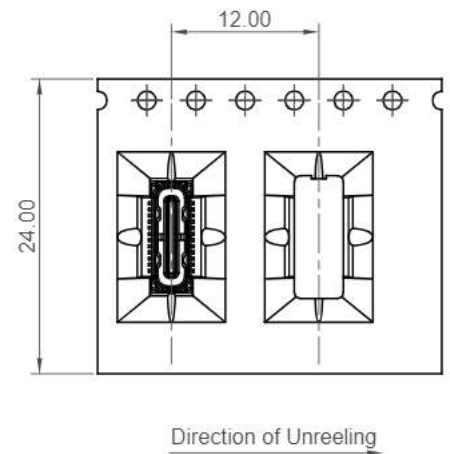
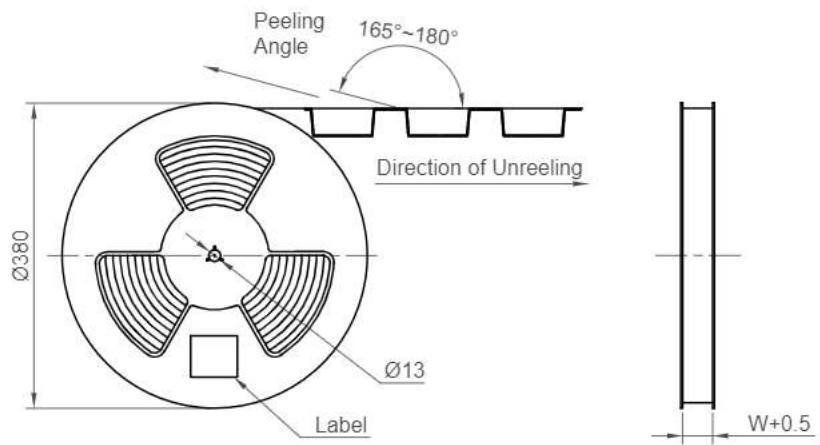
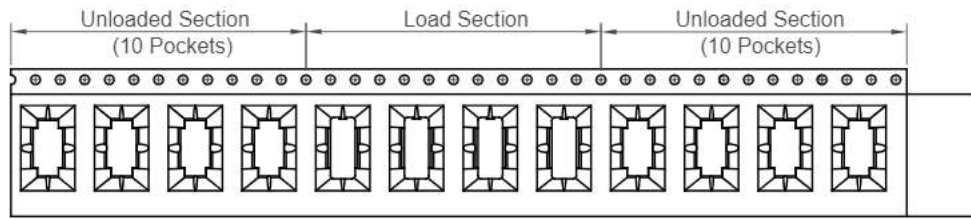
USB4160
(Receptacle assembly)



USB4160
(Receptacle assembly)

Plug and Receptacle Mating View

Part Number		Product Description		 www.gct.co
USB4160		USB3.2 Gen2, Type C Receptacle, Vertical, SMT,		
Drawing Date		H=7.46mm, 24 Pin		
28th June 2022				
By	CC	Tolerances (Except as Noted)	Units:	 This drawing is confidential and copyright of Global Connector Technology, Ltd (GCT). This drawing must not be copied or disclosed without written consent. E & OE
Detail	Drawing Release	Length	Metric (mm)	
Revision	A2	X.X ± 0.30	 2nd Angle Projection	
Date	31/01/23	X.XX ± 0.20		
		X.XXX ± 0.10		



Part Number	Pcs / Reel	Reels / Carton	Total Quantity
USB4160-03-0070-C	700	10	7,000 pcs
USB4160-03-0170-C	600	10	6,000 pcs
USB4160-03-0230-C	600	10	6,000 pcs

Part Number USB4160		Product Description USB3.2 Gen2, Type C Receptacle, Vertical, SMT, H=7.46mm, 24 Pin	
Drawing Date 28th June 2022			
By CC	CC	Tolerances (Except as Noted)	Units: Metric (mm)
Detail Drawing Release		Length X.X ± 0.30	
Revision A2		Angle X.XX ± 0.20	
Date 31/01/23		X.XXX ± 0.10	
		This drawing is confidential and copyright of Global Connector Technology, Ltd (GCT). This drawing must not be copied or disclosed without written consent. E & OE	

GCT
www.gct.co

Not to Scale Drawn By CC Sheet No. 4/4