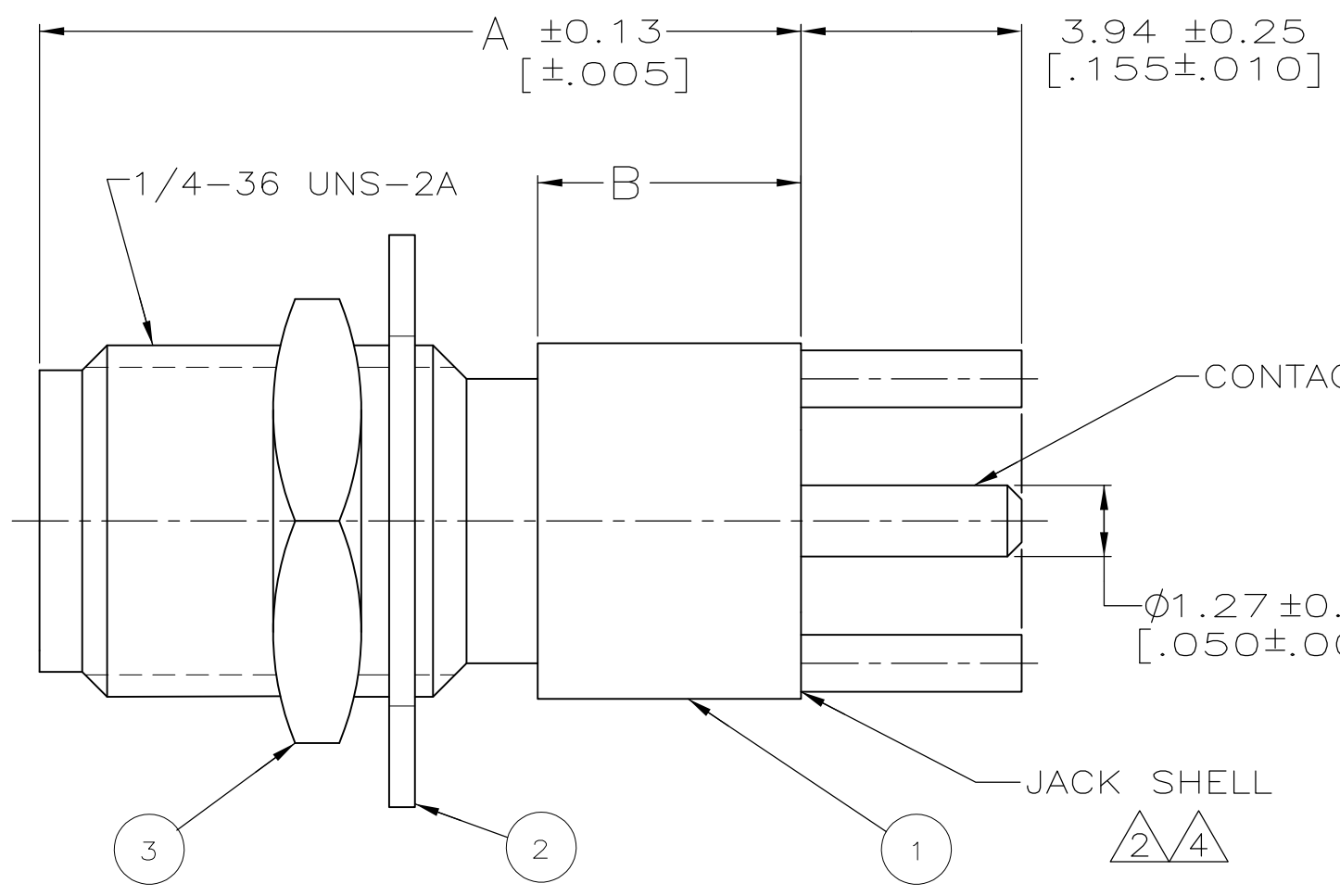
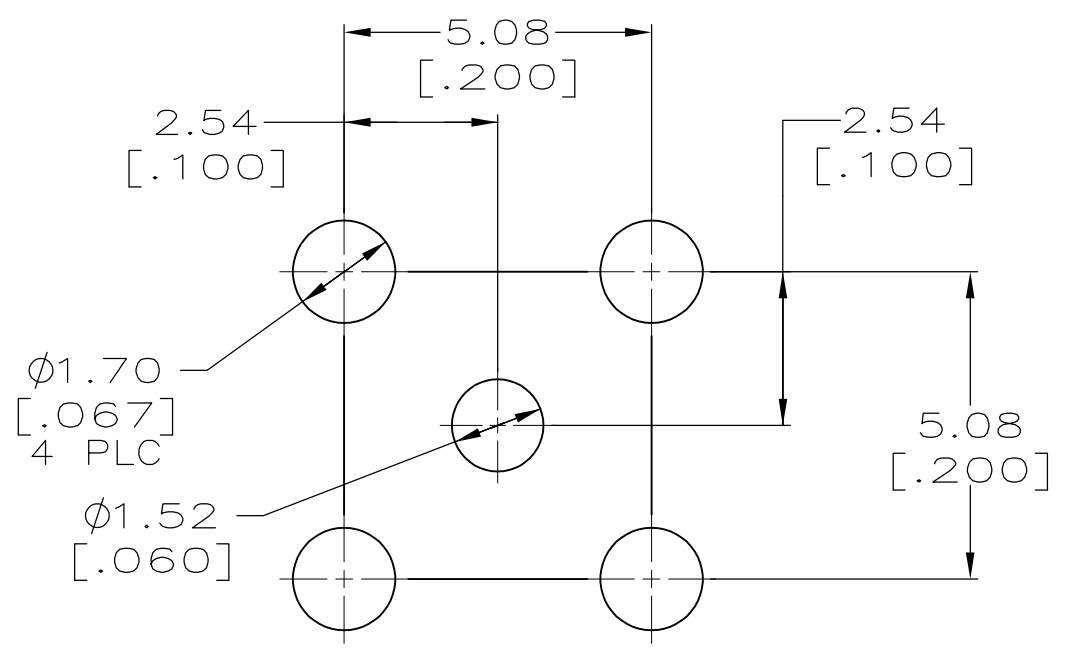
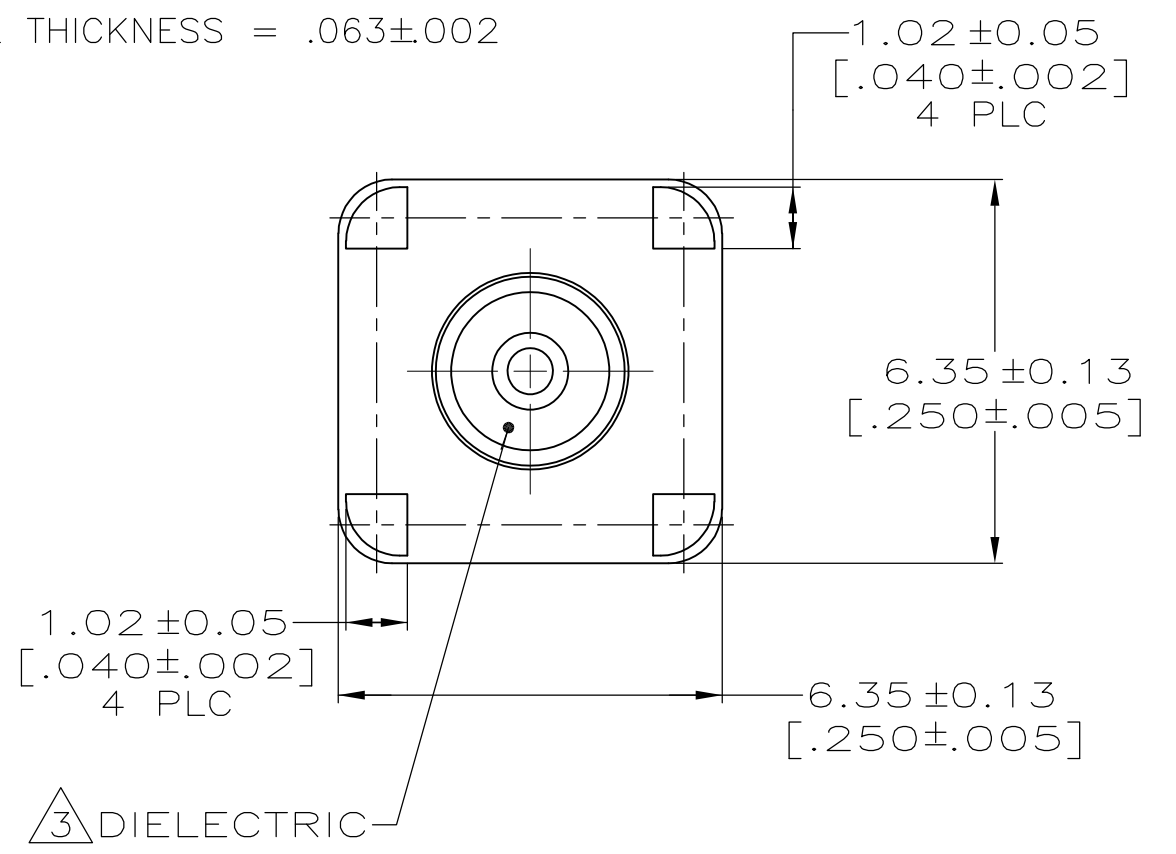


THIS DRAWING IS UNPUBLISHED. RELEASED FOR PUBLICATION  
 © COPYRIGHT - By - ALL RIGHTS RESERVED.

LOC	DIST	REVISIONS			
P	LTR	DESCRIPTION	DATE	DWN	APVD
AJ	16	B1	ECR-12-006658	11APR12	RK MY



- 1 BERYLLIUM COPPER PER ASTM-B-197.
- 2 BRASS PER ASTM-B-16.
- 3 PTFE, PER ASTM-D-1710.
- 4 GOLD PLATE PER MIL-G-45204.
- 5. PANEL MOUNTING HOLE =  $.256 \pm 0.002$  DIA.
- 6. PANEL THICKNESS =  $.063 \pm 0.002$



5.71 [.225]	15.87 [.625]	2-332004-0	1-22145-3	1274102-2	1274061-2
4.70 [.185]	13.84 [.545]	2-332004-0	1-22145-3	1274102-1	1274061-1
B	A	3 JAMNUT QTY=1	2 LOCKWASHER QTY=1	1 JACK SUB-ASSY QTY=1	PART NUMBER

THIS DRAWING IS A CONTROLLED DOCUMENT.		DWN M. OBRINE 01SEP98	TE Connectivity JACK, VERTICAL PCB, SMA SERIES		
DIMENSIONS: INCHES		CHK J. CABARLO 01SEP98			
TOLERANCES UNLESS OTHERWISE SPECIFIED:		APVD J. CABARLO 01SEP98	NAME		
0 PLC $\pm -$ 1 PLC $\pm -$ 2 PLC $\pm 0.08$ [.003] 3 PLC $\pm -$ 4 PLC $\pm -$ ANGLES $\pm -$		PRODUCT SPEC	SIZE		
MATERIAL		FINISH	APPLICATION SPEC	CAGE CODE	DRAWING NO
-		-	WEIGHT	A300779	C-1274061
CUSTOMER DRAWING			RESTRICTED TO	SCALE	SHEET
-			-	8:1	1 OF 1
			REV	B1	