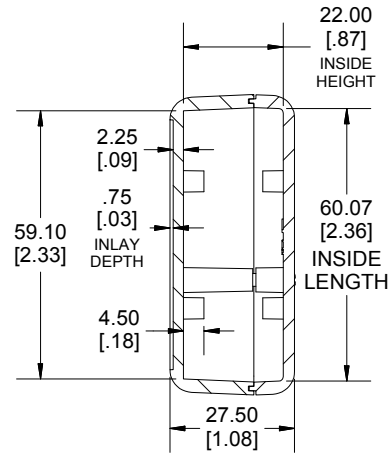
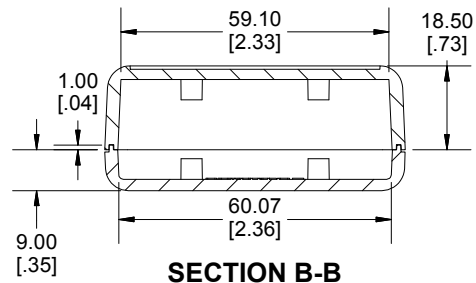
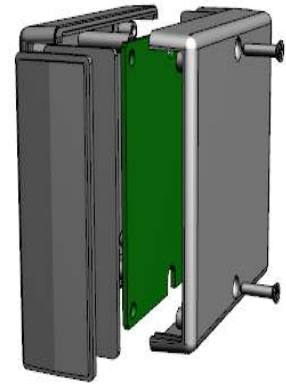


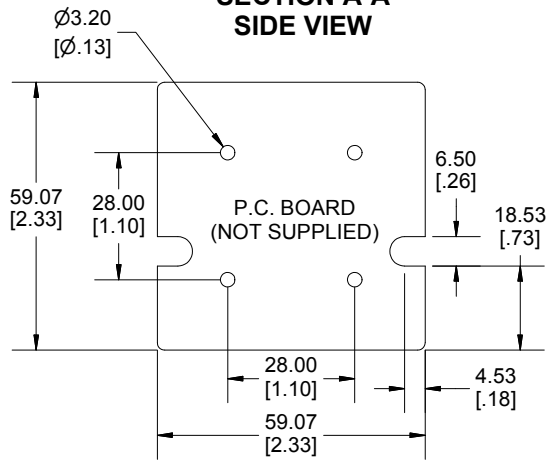
TOP VIEW



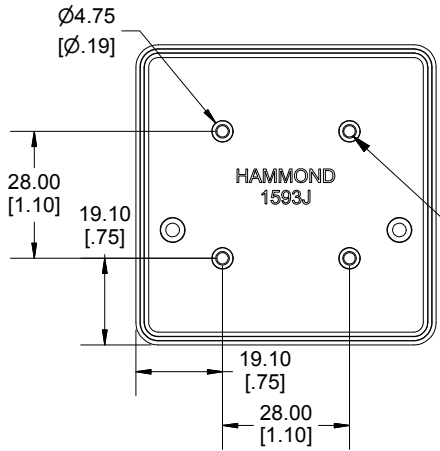
SECTION A-A
SIDE VIEW



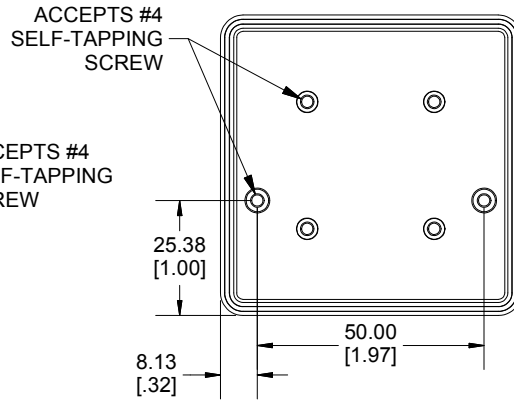
SECTION B-B
END VIEW



P.C. BOARD
(NOT SUPPLIED)



INSIDE BOTTOM



INSIDE TOP

Enclosures can be Factory Modified (Milling, Drilling, Printing etc.)
Contact Factory mjm@hammondmfg.com for quotes
Solid models of this enclosure available in STEP or IGES.
(Part number and text placement/orientation on our products are subject to change, we do not recommend using them as a locating reference for modification purposes)

NOTE
Enclosure molded from GP ABS (UL94-HB) plastic.
Purchased assembly includes top and bottom cover, and 2 cover screws.

Recommended Cover Screw Torque - 57lbf-in (40cN-m)

1593	
1593J Regular Enclosure	
Black Enclosure	1593JBK
Grey Enclosure	1593JGY
Translucent Blue Enclosure	1593JTBU
ACCESSORIES	
Cover Screws #4 X 3/4" Self-Tapping (100 Pkg)	1593QS100 (Silver)
	1593QS100BK (Black)
P.C. Board Screws #4 X 1/4" Self-Tapping	1593ATS50 (Pkg 50)
	1593ATS100 (Pkg 100)
Nylon Belt Clip	1599CLIP (Black)
	1599CLIPGY (Grey)

**HAMMOND
MANUFACTURING®**

1593J

www.hammondmfg.com

Dimensions:
mm
[inches]