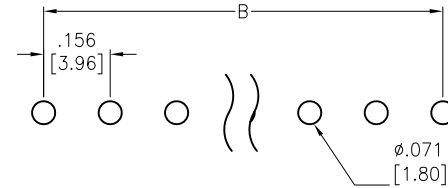
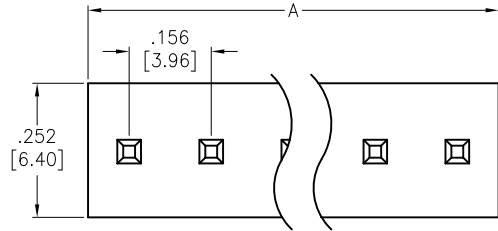
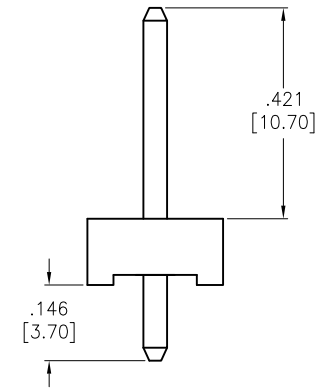
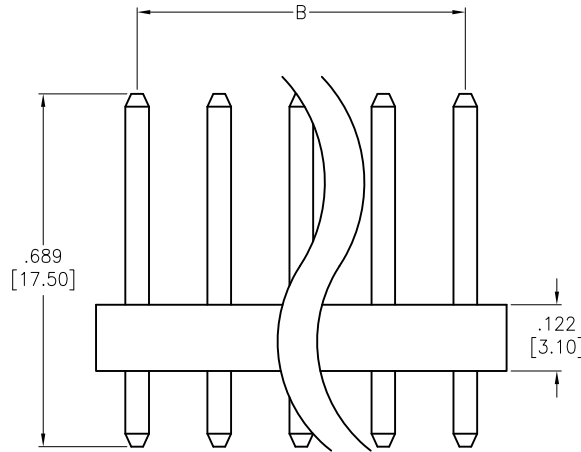


APPROVED: \_\_\_\_\_  
 DATE: \_\_\_\_\_ TITLE: \_\_\_\_\_

Rev	AWO #	Description	Date	Appr
-		RELEASED	4/12/05	
A		REDRAWN	03/14/12	
B		UPDATE SPEC.	6/12/20	AY/RC



RECOMMENDED PCB LAYOUT



**SPECIFICATIONS:**

Material:  
 Insulator: Nylon 66, rated UL 94V-2  
 Insulator color: White  
 Contacts: Brass  
 Plating:  
 Tin over Copper underplate overall  
 Electrical:  
 Voltage rating: 250 VAC/DC  
 Current rating: 5A AC/DC  
 Insulation resistance: 1,000 Mohms min  
 Temperature Rating:  
 -25°C to +85°C  
 Environmental:  
 Lead free, RoHS compliant



Positions: 2 thru 20  
 A = .156 [3.96] x No. of Positions  
 B = .156 [3.96] x No. of Spaces

UNLESS OTHERWISE SPECIFIED ALL DIMENSIONS ARE INCHES [MM] TOLERANCES: EXCEPT AS NOTED		<b>ADAM TECH</b>		909 Rahway Avenue, Union, NJ 07083 Phone: 908-687-5000 Fax: 908-687-5710	
INCHES		HOLES		TITLE	
.X ± .10	∅X ± .10	.156 [3.96] POWER HEADER			
.XX ± .020	∅XX ± .015	STRAIGHT, WITHOUT LOCK POLARIZER			
.XXX ± .015	∅XXX ± .010	APPROVALS			
DATE		DATE			
DRAWN	SS	4/12/05			
CHECKED		SIZE			
APPROVED		X		PART NO.	REV.
		LHB-XX-SA2		B	
REF: S00016T		SCALE: NTS		SHEET 1 OF 1	