



twist lever for position switch 3SE51 metal lever 27 mm long, Step 9 mm with Plastic roller 30 mm

product brand name	SIRIUS
product designation	actuator for part-turn actuator
product type designation	3SE5
manufacturer's article number	
• of the supplied operating lever	3SE5000-0AA05
General technical data	
product function positive opening	Yes
shock resistance	
• according to IEC 60068-2-27	30g / 11 ms
vibration resistance	
• according to IEC 60068-2-6	0.35 mm/5g
mechanical service life (switching cycles) typical	15 000 000
reference code according to IEC 81346-2	T
active principle	mechanical
Substance Prohibitance (Date)	07/01/2006
design of the interface for safety-related communication	without
Enclosure	
coating of the enclosure	Other types
Drive Head	
design of the actuating element	Twist lever, metal lever, 27 mm long, step 9 mm, plastic roller 30 mm
standard-compliant actuator head	EN 50041, design A
shape of the switch head	roller
outer diameter of the switch head	30 mm
Communication/ Protocol	
design of the interface	without
Ambient conditions	
ambient temperature	
• during operation	-25 ... +85 °C
• during storage	-40 ... +90 °C
explosion protection category for dust	none
Installation/ mounting/ dimensions	
mounting position	any
fastening method	screw fixing
Certificates/ approvals	
General Product Approval	



[Confirmation](#)



[KC](#)



Declaration of Conformity

Test Certificates

other



[Type Test Certificates/Test Report](#)

[Confirmation](#)

Further information

Information- and Downloadcenter (Catalogs, Brochures,...)

<https://www.siemens.com/ic10>

Industry Mall (Online ordering system)

<https://mall.industry.siemens.com/mall/en/en/Catalog/product?mlfb=3SE5000-0AA05>

Cax online generator

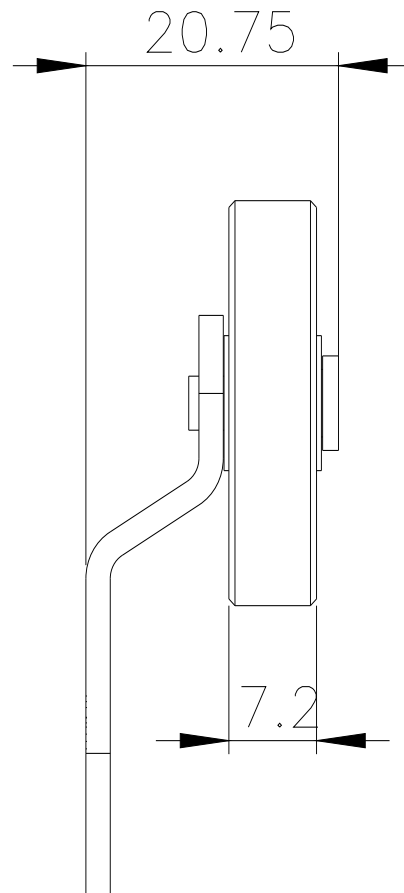
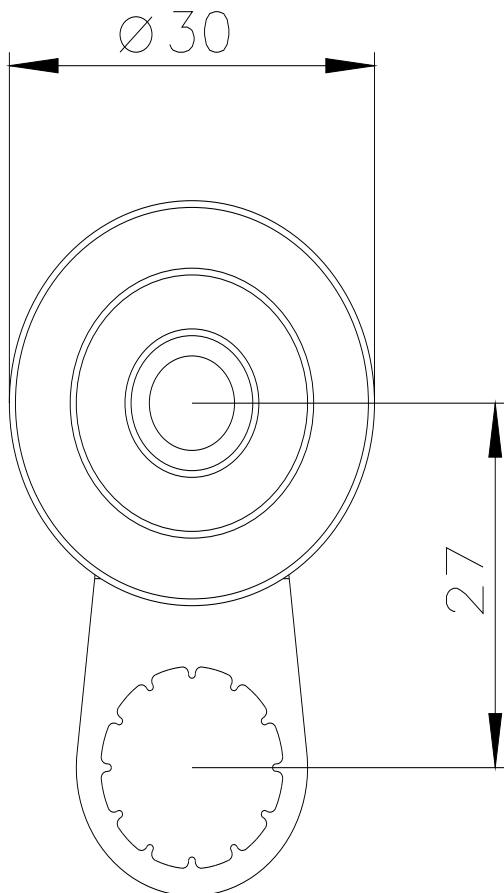
<http://support.automation.siemens.com/WW/CAXorder/default.aspx?lang=en&mlfb=3SE5000-0AA05>

Service&Support (Manuals, Certificates, Characteristics, FAQs,...)

<https://support.industry.siemens.com/cs/ww/en/ps/3SE5000-0AA05>

Image database (product images, 2D dimension drawings, 3D models, device circuit diagrams, EPLAN macros, ...)

http://www.automation.siemens.com/bilddb/cax_de.aspx?mlfb=3SE5000-0AA05&lang=en



last modified:

12/21/2020