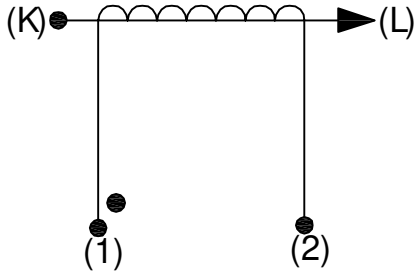


Product Type	Current Transformer
AMGIS Part Number	/ 321
Customer Part Number	
Place of Manufacture	

SCHMATIC:



ELECTRICAL SPECIFICATION:

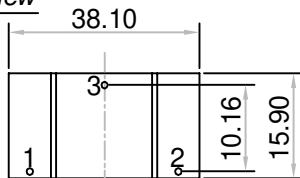
Rated input current	= 60Amps
Primary to Secondary isolation	= 2500VAC
Operating Frequency	= 50 / 60 Hz
Turns Ratio	= 1 : 1000
DC Resistance	= 24.00 Ω
Output Voltage	= 6.0V @ 60A / 100Ω, 0.3600W
Io @ Vrms : 7.41V	= 1250μArms
Ratio Correction factor (RCF*)	= 1.001@10% (Multiply current reading by this factor to compensate for transformer losses)

Volt/ Amp at rated Ip for different loads			
100Ω	500Ω	2000Ω	5000Ω
0.10	0.44	0.66	0.76

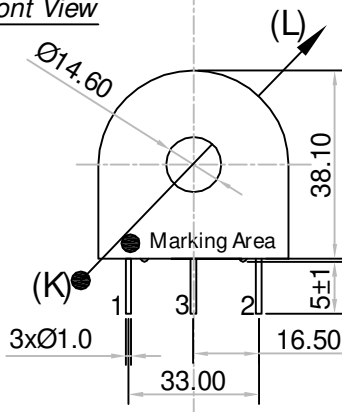
MECHANICAL SPECIFICATION :

OUTPUT RESPONSE vs INPUT CURRENT @ RATED BURDEN :

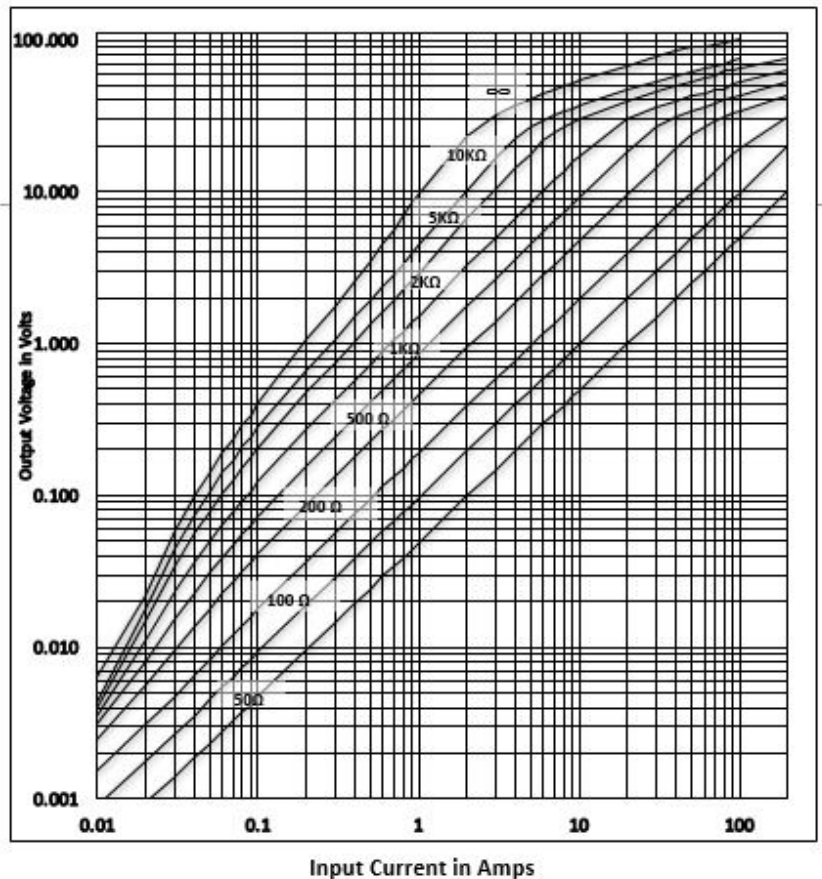
Pin Side View



Front View

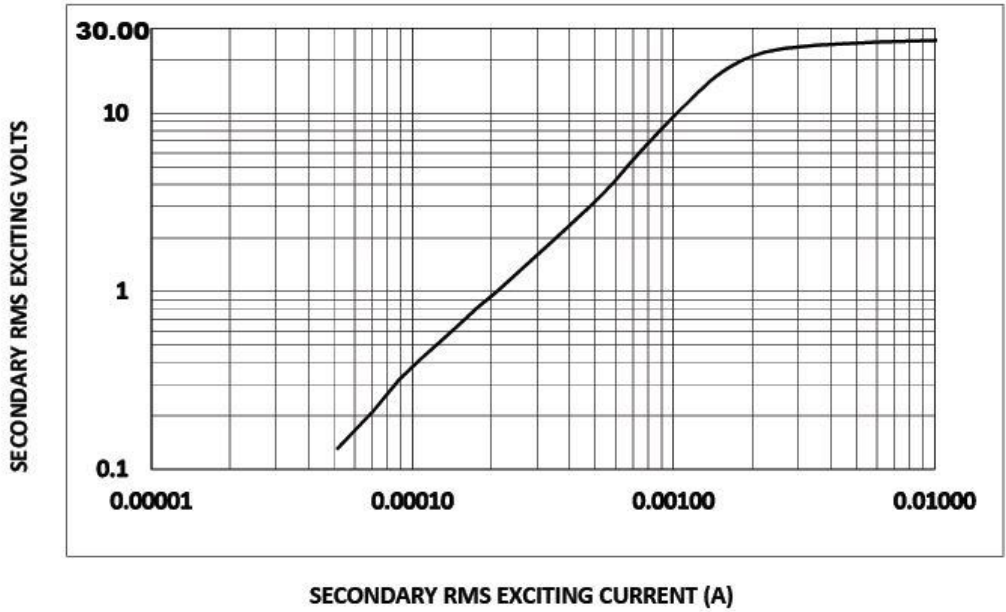


All dimensions are in mm
Linear dimensional tolerance ±0.2mm

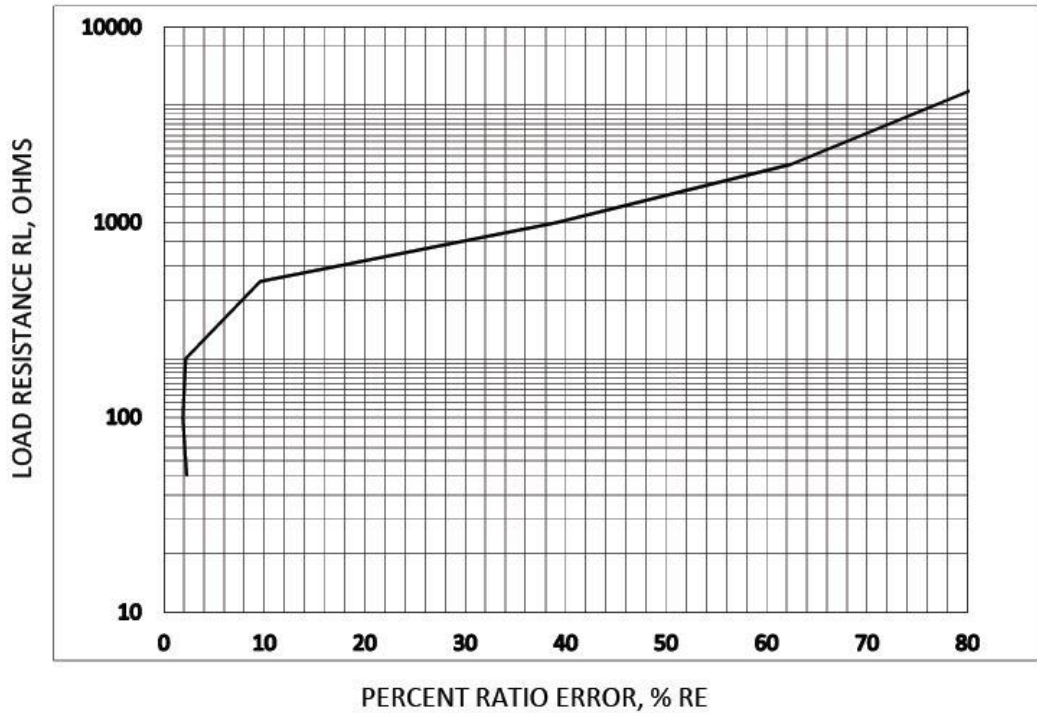


Note : Un-Used pin → #3

TYPICAL EXCITATION CURVE:



RATIO ERROR (%) vs RATED BURDEN @ INPUT CURRENT:



TRAF0 WEIGHT:

Approx. Weight = 0.0652 kg / pc

MARKING INFORMATION:

L01-6218
 Ac yr / wk code
 ●
 Dot mark for Start pin identification

-----Initial Issue-----	1	0	Balaji. R	18-Nov'2015
Changes	Issue	Rev	Initial	Date