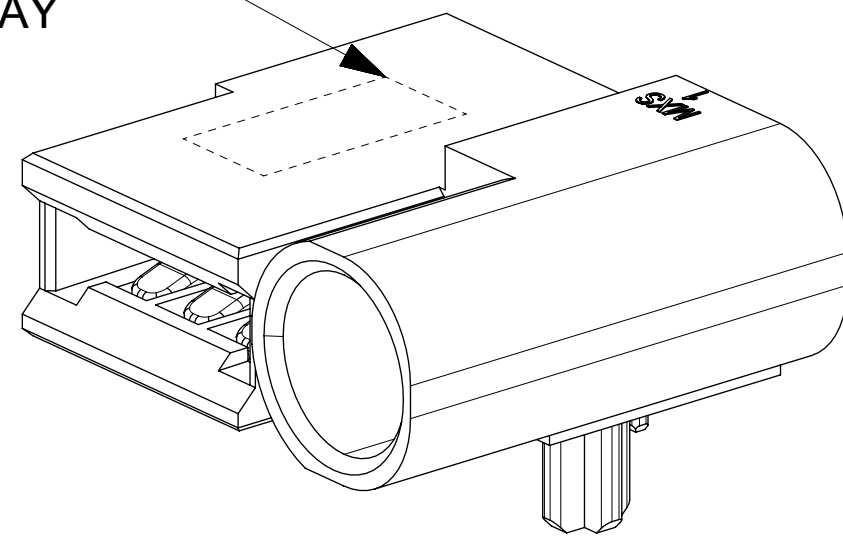
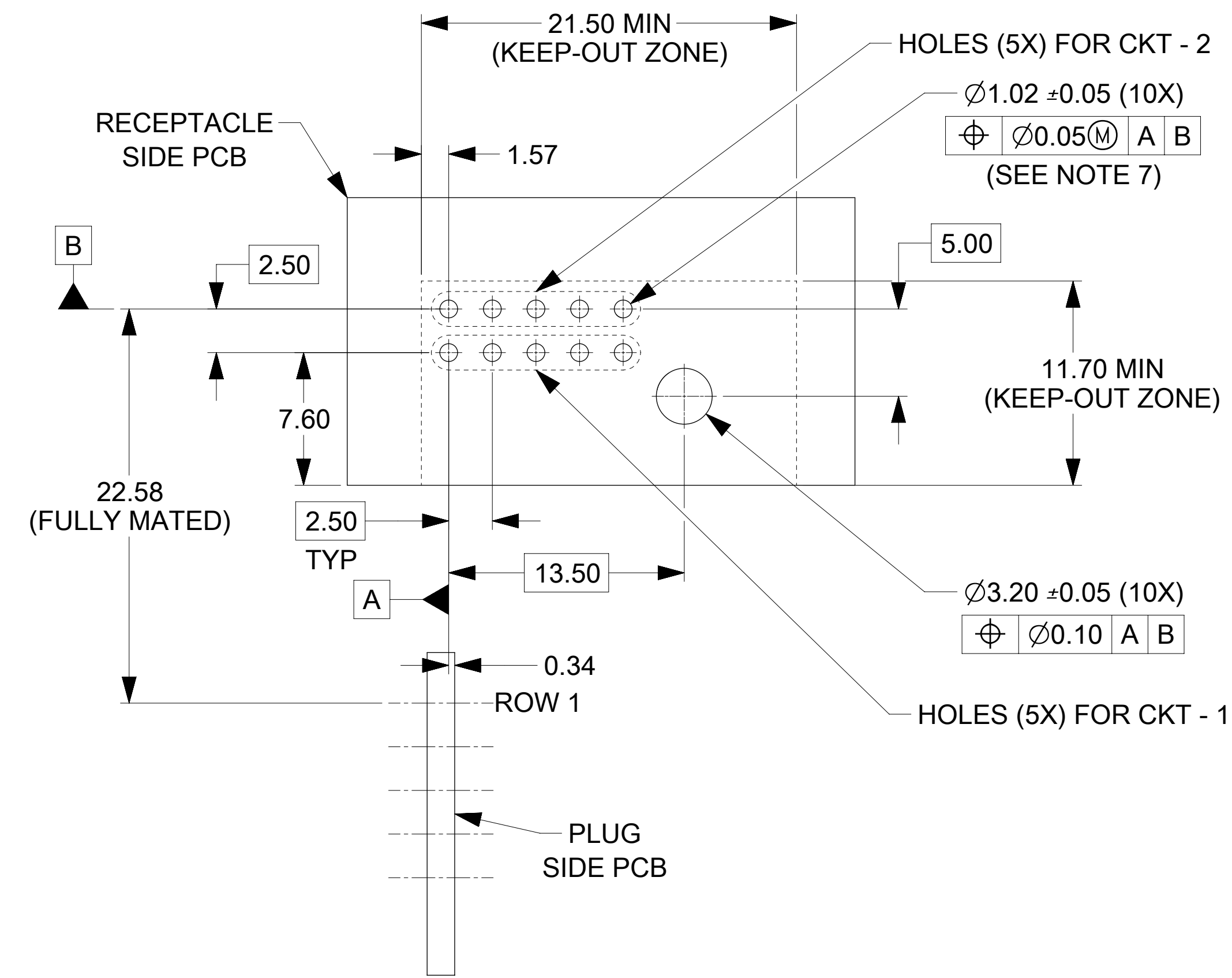


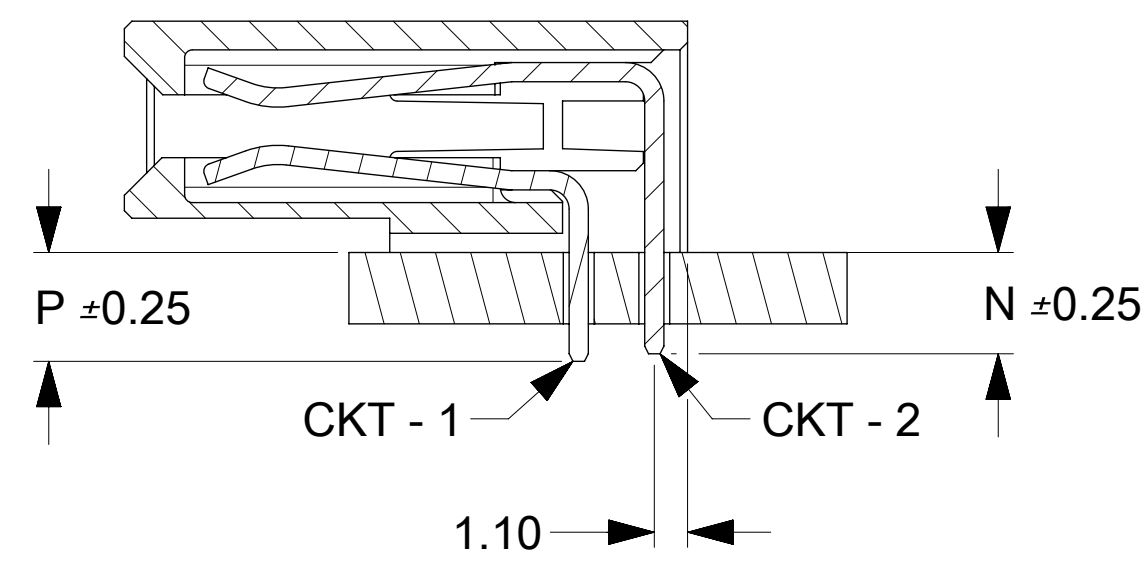
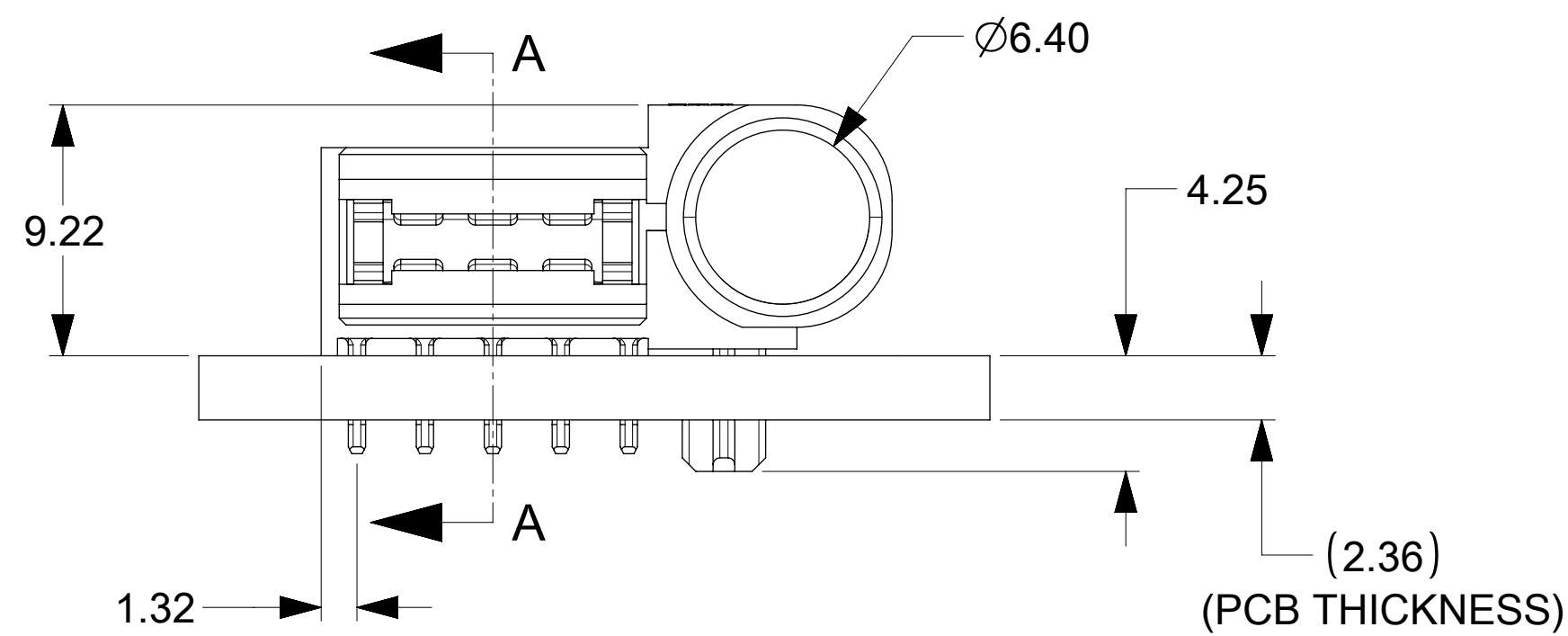
PART NUMBER AND  
DATE CODE  
XX XXX  
YEAR DAY



P/N: 172047-1001  
(ONLY FOR REFERANCE)



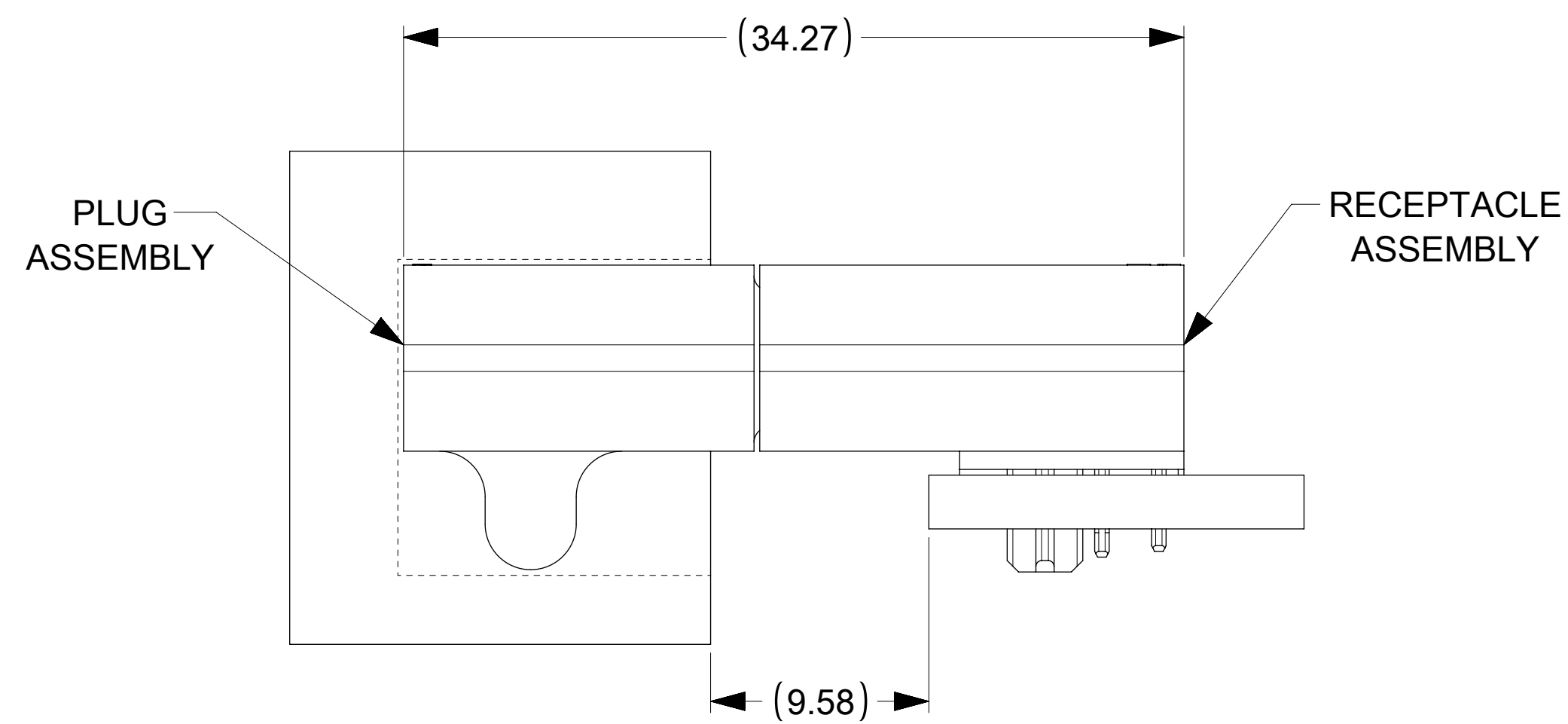
RECOMMENDED PCB LAYOUT AND KEEP-OUT ZONE



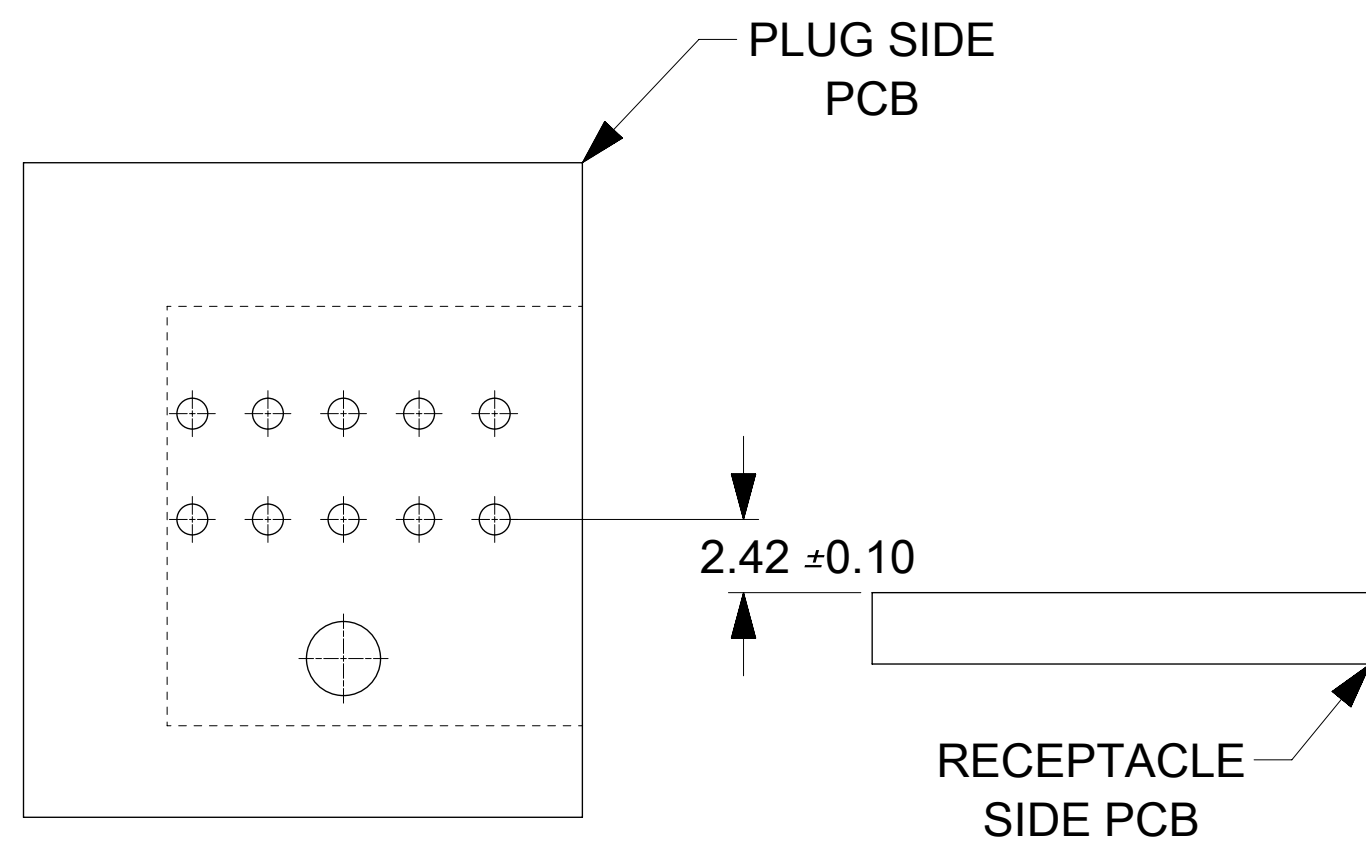
SECTION A-A

NOTES:

1. MATERIAL HOUSING: GLASS FILLED LCP (LIQUID CRYSTAL POLYMER), 94V-0, COLOR-BLACK  
CONTACT: COPPER ALLOY
2. FINISH: SELECT GOLD - 0.76 MICROMETERS/30 MICROINCHES MINIMUM CONTACT  
SELECT TIN - 3.81 MICROMETERS/150 MICROINCHES MINIMUM TAIL  
BOTH OVER NICKEL - 1.27 MICROMETERS/50 MICROINCHES MINIMUM.
3. POWER TERMINALS LUBRICATED IN CONTACT AREA
4. PRODUCT SPECIFICATION: PS-172047-1001
5. PACKAGING: TRAY PACKED PER PACKAGING SPEC: PK-172047-1001.
6. PRODUCT TO MEET RoHS COMPLIANT
7. PLATED THRU HOLE SIZE, REFER TO PS-46114-001 FOR DETAILS
8. ASSEMBLY MATES TO MOLEX SERIES: 172045.
9. TAIL DESIGN: SOLDER TAIL



MATED PROFILE



MATERIAL P/N	DIM P	DIM N	PCB THICKNESS (REFERENCE)
1720471001	3.60	3.35	2.36
1720471002	4.50	4.25	3.18
1720471003	2.90	2.65	1.57

THIS DRAWING CONTAINS INFORMATION THAT IS PROPRIETARY TO MOLEX ELECTRONIC TECHNOLOGIES, LLC AND SHOULD NOT BE USED WITHOUT WRITTEN PERMISSION

DIMENSION UNITS <b>mm</b>	SCALE <b>4:1</b>	CURRENT REV DESC: UPDATED TO MATE SERIES	
GENERAL TOLERANCES (UNLESS SPECIFIED)		EC NO: 640097	
ANGULAR TOL	$\pm 0.5^\circ$	DRWN: SCS02	2020/06/15
4 PLACES	$\pm$	CHK'D: GJEEVANSURES	2020/06/23
3 PLACES	$\pm$	APPR: HTHYAGARAJ	2020/06/26
2 PLACES	$\pm 0.25$	INITIAL REVISION:	
1 PLACE	$\pm 0.25$	DRWN: EANG	2013/09/23
0 PLACES	$\pm$	APPR: KHLIM	2013/10/22
DRAFT WHERE APPLICABLE MUST REMAIN WITHIN DIMENSIONS	THIRD ANGLE PROJECTION	DRAWING <b>D-SIZE</b>	SERIES <b>172047</b>
DOCUMENT NUMBER <b>SD-172047-1001</b>		DOC TYPE <b>PSD</b>	DOC PART <b>001</b>
MATERIAL NUMBER SEE TABLE		CUSTOMER GENERAL MARKET	REVISION <b>A3</b>
DOCUMENT STATUS <b>P1</b>		RELEASE DATE <b>2020/06/26</b>	03:37:30
SHEET NUMBER <b>1 OF 1</b>			