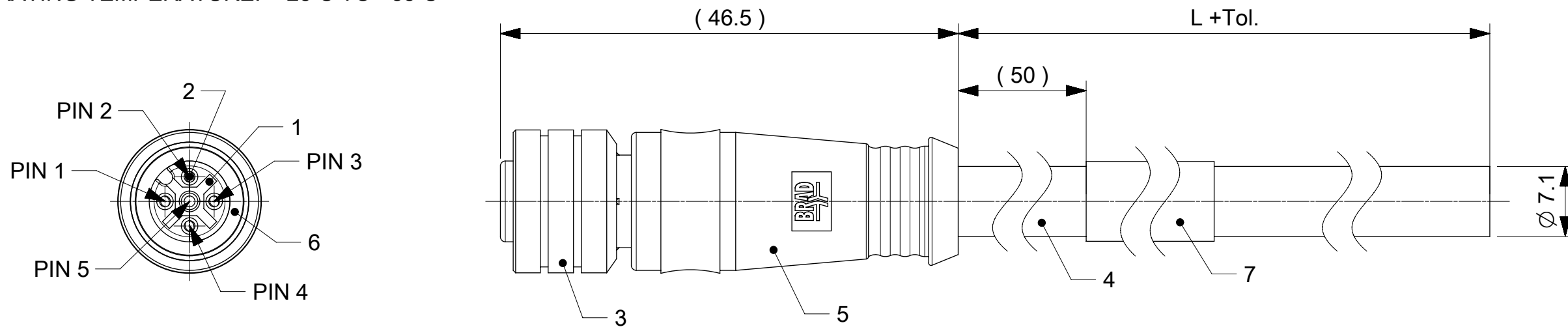
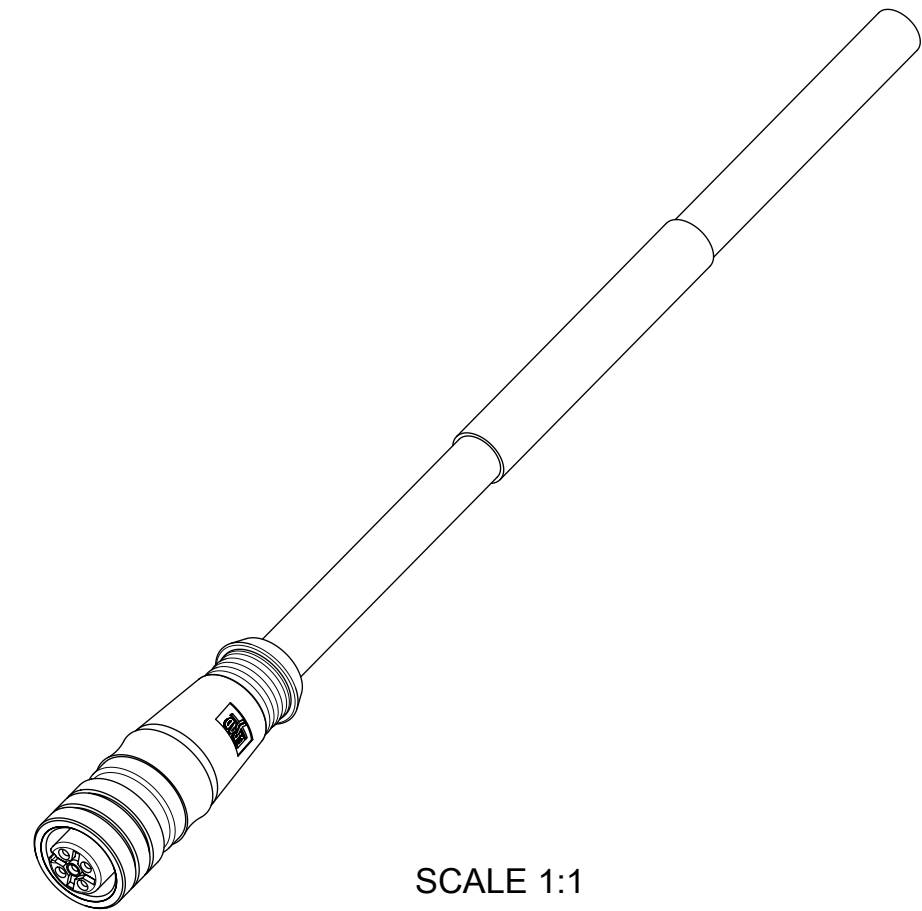
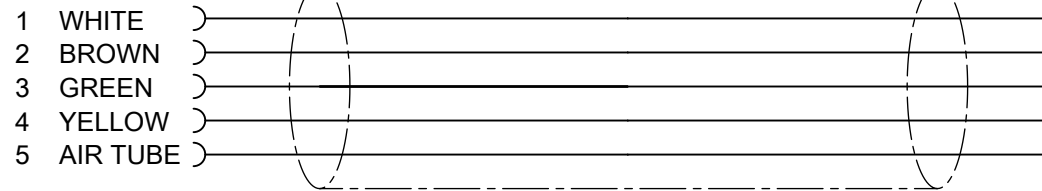


CONNECTOR SPECIFICATION

RATED VOLTAGE: 250 V AC/DC
 RATED CURRENT: 4 A
 PROTECTION: IP67
 OPERATING TEMPERATURE: -25°C TO +85°C



WIRING DIAGRAM



SCALE 1:1

TABLE 1

POS	QTY	DESCRIPTION	MATERIAL	FINISH
1	1	INSERT M12 FE 5P BK	ELASTOLLAN	-
2	4	CONTACT 10 FE	COPPER ALLOY	SELECTIVE GOLD OVER NICKEL
3	1	NUT M12 FE	BRASS	NICKEL PLATED
4	-	CABLE	SEE SHEET 2	-
5	-	OVERMOULDING MATERIAL BK	TPU	-
6	1	GASKET OR RD	FPM	-
7	1	LABEL	VINYL	-

THIS DRAWING CONTAINS INFORMATION THAT IS PROPRIETARY TO MOLEX ELECTRONIC TECHNOLOGIES, LLC AND SHOULD NOT BE USED WITHOUT WRITTEN PERMISSION											
QUALITY SYMBOLS FA = 0 FE = 0 FP = 0 FV = 0 FC = 0 FX = 0 FS = 0 FT = 0	EC NO: 106989 DRWN: FGAIK CHK'D: APPR: RSILLER	2016/07/12 2016/07/29	GENERAL TOLERANCES (UNLESS SPECIFIED)		DIMENSION UNITS	SCALE					
			ANGULAR TOL ± 1.0 °		MM	2:1					
			4 PLACES ±	3 PLACES ±	DRWN BY	DATE					
			2 PLACES ± 0.05	1 PLACE ± 0.3	FGAIK	2016/07/12					
0 PLACES ± 0.5		DRAFT WHERE APPLICABLE MUST REMAIN WITHIN DIMENSIONS		CHK'D BY	DATE	CSE M12 5P AC FE STR XM SE UNSH BK					
				RSILLER	2016/07/29	PRODUCT CUSTOMER DRAWING					
				DRAWING SIZE	THIRD ANGLE PROJECTION	SERIES	MATERIAL NUMBER	CUSTOMER			
				A3		120065	SEE SHEET 2	GENERAL MARKET			
						DOCUMENT NUMBER		DOC TYPE	DOC PART	SHEET NUMBER	
						1200659910		PSD	000	1 OF 2	

ENGINEERING NO. - NUMERICAL CODE (Available parts see PART LIST table. Others on request).

OPTIONS

805 000 XXXM XXXX

80=M12x1
Single ended

Poles:
5=5 Poles

Heads style:
000=Plug Female straight

Cable type: See Table 3

Units:
M=Meter

Length
Examples:
005=0.5 units
010=1 units
100=10 units

Overmold color:
Blank (Standard)=Black
H= 2 pcs. of I/D Carrier PVC Transparent

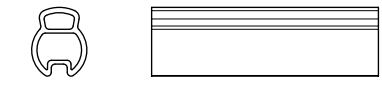


TABLE 2

MOLEX PN	ENGINEERING NO.	L [mm]	Tol. [mm]
1200659910	805000EP2M006	600	+40
1200659911	805000EP2M010	1000	+40
1200659912	805000EP2M015	1500	+60
1200659913	805000EP2M020	2000	+60
1200659914	805000EP2M025	2500	+60
1200659915	805000EP2M030	3000	+60
1200659916	805000EP2M040	4000	+60
1200659917	805000EP2M050	5000	+60
1200659918	805000EP2M075	7500	+80
1200659919	805000EP2M100	10000	+80
1200659920	805000EP2M120	12000	+140
1200659921	805000EP2M150	15000	+140
1200659922	805000PP2M006	600	+40
1200659923	805000PP2M010	1000	+40
1200659924	805000PP2M015	1500	+60
1200659925	805000PP2M020	2000	+60
1200659926	805000PP2M025	2500	+60
1200659927	805000PP2M030	3000	+60
1200659928	805000PP2M040	4000	+60
1200659929	805000PP2M050	5000	+60
1200659930	805000PP2M075	7500	+80
1200659931	805000PP2M100	10000	+80
1200659932	805000PP2M120	12000	+140
1200659933	805000PP2M150	15000	+140

TABLE 3

CABLE TYPE	NO. OF WIRES	CROSS SECTION	CABLE JACKET	UL	TEMPERATURE RANGE		SHIELD
					STATIC	FLEX	
EP2	4+air tube	0.25mm ²	PVC BLACK	UL 1731/2517	-25°C to +105°C	-5°C to +105°C	YES
PP2	4+air tube	0.25mm ²	PUR BLACK	UL 1729/20233	-40°C to +80°C	-25°C to +80°C	YES

QUALITY SYMBOLS FA = 0 FE = 0 FP = 0 FV = 0 FC = 0 FX = 0 FS = 0 FT = 0	THIS DRAWING CONTAINS INFORMATION THAT IS PROPRIETARY TO MOLEX ELECTRONIC TECHNOLOGIES, LLC AND SHOULD NOT BE USED WITHOUT WRITTEN PERMISSION									
	EC NO: 106989 DRWN: FGAIK CHK'D: RSILLER REV APPR: 2016/07/29	GENERAL TOLERANCES (UNLESS SPECIFIED) ANGULAR TOL ± 1.0 ° 4 PLACES ± 3 PLACES ± 2 PLACES ± 0.05 1 PLACE ± 0.3 0 PLACES ± 0.5	DIMENSION UNITS: MM SCALE: 1:1 DRWN BY: FGAIK DATE: 2016/07/12 CHK'D BY: RSILLER DATE: 2016/07/29 APPR BY: RSILLER DATE: 2016/07/29	DRAFT WHERE APPLICABLE MUST REMAIN WITHIN DIMENSIONS A3 THIRD ANGLE PROJECTION						
CSE M12 5P AC FE STR XM SE UNSH BK				PRODUCT CUSTOMER DRAWING						
SERIES: 120065		MATERIAL NUMBER: SEE TABLE 2			CUSTOMER: GENERAL MARKET					
DOCUMENT NUMBER: 1200659910				DOC TYPE: PSD		DOC PART: 000		SHEET NUMBER: 2 OF 2		