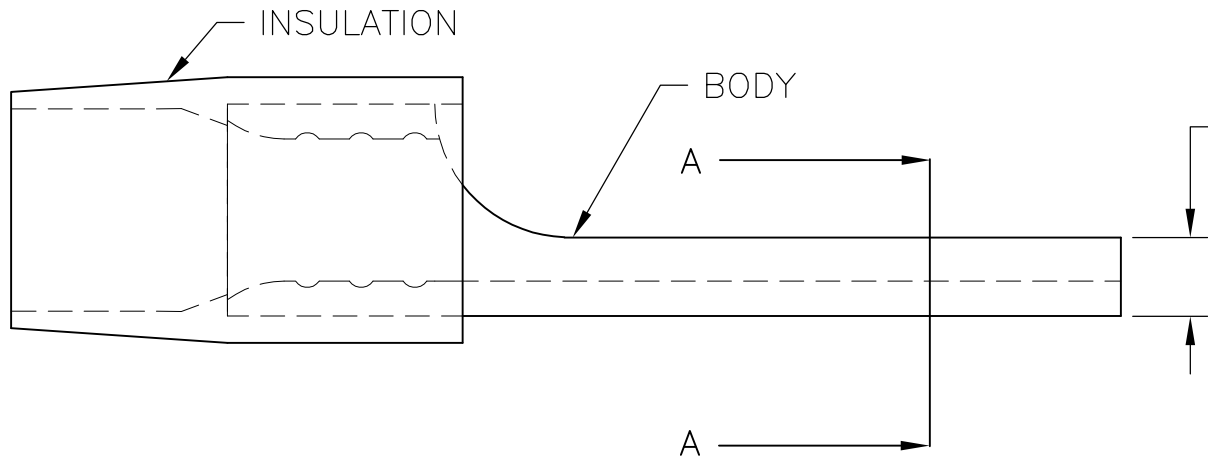
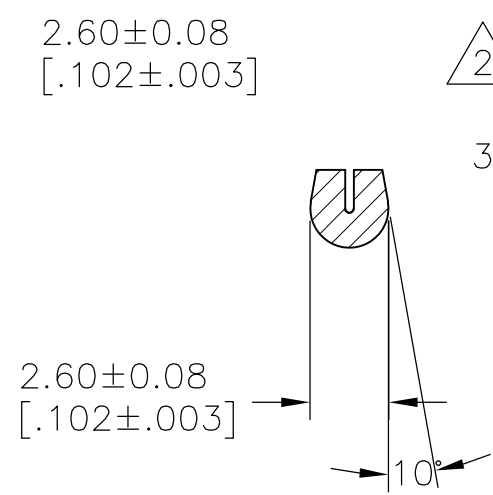


THIS DRAWING IS UNPUBLISHED. RELEASED FOR PUBLICATION
 © COPYRIGHT - By - ALL RIGHTS RESERVED.

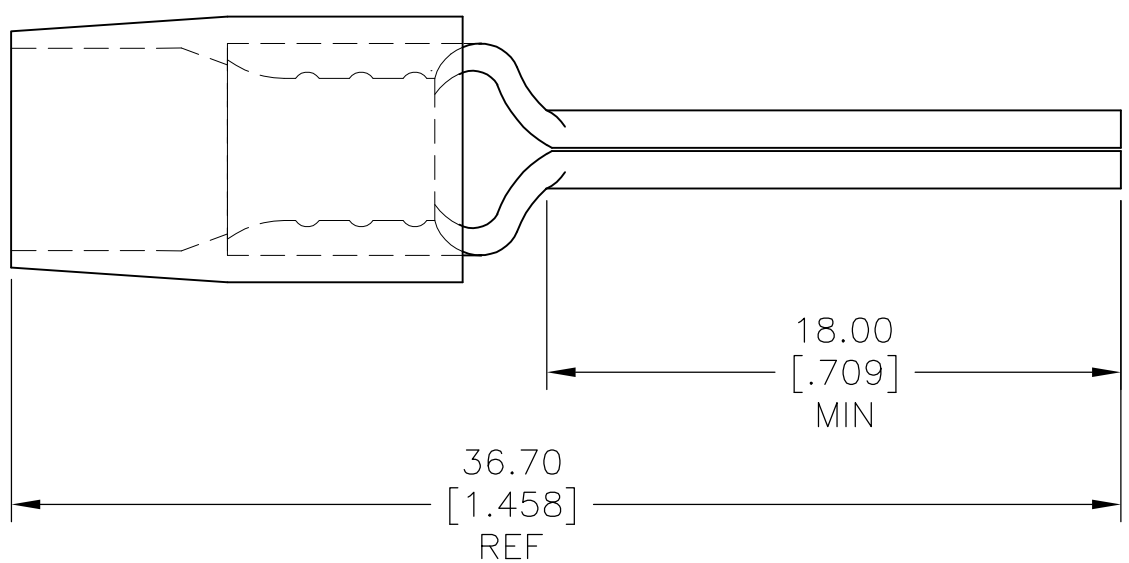
LOC	DIST	REVISIONS			
P	LTR	DESCRIPTION	DATE	DWN	APVD
AL	2	E1	REVISED PER ECO-11-020548	13JAN12	KH DR



- 1 BODY: COPPER PER ASTM B152
INSULATION : NYLON,RED
- 2 TIN PLATE PER ASTM B545
- 3. FOR 6.6[2.60] MAX INSULATION DIAMETER



SECTION A-A



790368-1
PART NO

THIS DRAWING IS A CONTROLLED DOCUMENT.		DWN KIRAN HOLAL 13JAN12	TE Connectivity			
DIMENSIONS: mm [INCHES]		CHK ROHDE DANIEL 13JAN12				
TOLERANCES UNLESS OTHERWISE SPECIFIED:		APVD ROHDE DANIEL 13JAN12	NAME			
0 PLC ± - 1 PLC ± 0.3[.012] 2 PLC ± - 3 PLC ± - 4 PLC ± - ANGLES ± 1°		PRODUCT SPEC	TERMINAL WIRE PIN TERMINYL WIRE SIZE : 8 AWG			
MATERIAL		APPLICATION SPEC	SIZE	CAGE CODE	DRAWING NO	RESTRICTED TO
FINISH		WEIGHT	A3	00779	C-790368	-
CUSTOMER DRAWING			SCALE	SHEET	REV	
			5:1	1 OF 1	E1	