

## PX Series

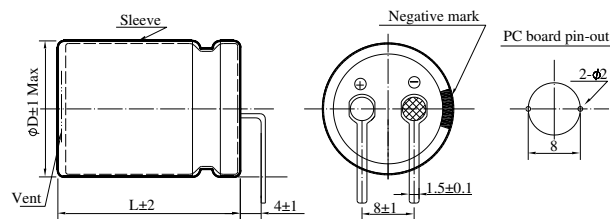
- Load life: 105°C 2,000 hours horizontal mounting
- Suitable for flat equipment design



### SPECIFICATIONS

Item	Performance Characteristics												
Category Temperature Range	-25 ~ +105°C												
Working Voltage Range	160 ~ 450Vdc												
Capacitance Range	68 ~ 1,500 μF												
Capacitance Tolerance	±20% (at 25°C and 120Hz)												
Dissipation Factor (tanδ) (at 25°C, 120Hz)	<table border="1"> <tr> <td>Rated Voltage (V)</td> <td>160</td> <td>200</td> <td>250</td> <td>400</td> <td>450</td> </tr> <tr> <td>tanδ(Max)</td> <td>0.15</td> <td>0.15</td> <td>0.15</td> <td>0.15</td> <td>0.15</td> </tr> </table>	Rated Voltage (V)	160	200	250	400	450	tanδ(Max)	0.15	0.15	0.15	0.15	0.15
	Rated Voltage (V)	160	200	250	400	450							
tanδ(Max)	0.15	0.15	0.15	0.15	0.15								
The above value should be increased by 0.02 for every additional 1000μF													
Leakage Current	I=0.02CV or 3000μA, whichever is smaller I : Leakage current (μA) C : Rated capacitance (μF) V : Rated voltage (V) Impress the rated voltage for 5 minutes												
Low Temperature Characteristics Impedance Ratio(MAX)	<table border="1"> <tr> <td>Rated voltage (V)</td> <td>160 ~ 250</td> <td>400</td> <td>450</td> </tr> <tr> <td>Z(-25°C)/Z(+20°C)</td> <td>4</td> <td>4</td> <td>8</td> </tr> </table>	Rated voltage (V)	160 ~ 250	400	450	Z(-25°C)/Z(+20°C)	4	4	8				
	Rated voltage (V)	160 ~ 250	400	450									
Z(-25°C)/Z(+20°C)	4	4	8										
(at 120Hz)													
Endurance	The following specifications shall be satisfied when the capacitors are restored to 25°C after subjected to DC voltage with the rated ripple current is applied for 2,000 hours at 105°C.												
	<table border="1"> <tr> <td>Capacitance change</td> <td>≅ ±20% of the initial value</td> </tr> <tr> <td>Dissipation factor(tanδ)</td> <td>≅ 200% of the specified value</td> </tr> <tr> <td>Leakage current</td> <td>≅ Not more than the specified value</td> </tr> </table>	Capacitance change	≅ ±20% of the initial value	Dissipation factor(tanδ)	≅ 200% of the specified value	Leakage current	≅ Not more than the specified value						
	Capacitance change	≅ ±20% of the initial value											
Dissipation factor(tanδ)	≅ 200% of the specified value												
Leakage current	≅ Not more than the specified value												
Shelf Life	The following requirements shall be satisfied when the capacitor are restored to 25°C after exposing them for 1,000 hours at 105°C without voltage applied.												
	<table border="1"> <tr> <td>Capacitance change</td> <td>≅ ±20% of the initial value</td> </tr> <tr> <td>Dissipation factor(tanδ)</td> <td>≅ 200% of the specified value</td> </tr> <tr> <td>Leakage current</td> <td>≅ Not more than the specified value</td> </tr> </table>	Capacitance change	≅ ±20% of the initial value	Dissipation factor(tanδ)	≅ 200% of the specified value	Leakage current	≅ Not more than the specified value						
	Capacitance change	≅ ±20% of the initial value											
Dissipation factor(tanδ)	≅ 200% of the specified value												
Leakage current	≅ Not more than the specified value												
Others	Conforms to JIS-C-5101-4 (1998), characteristic W												

### DIMENSIONS (mm)



### PART NUMBER SYSTEM ( Example : 200V 820μF )

P	X	2	D	8	2	1	M	R	N	2	2	6	0						
---	---	---	---	---	---	---	---	---	---	---	---	---	---	--	--	--	--	--	--

Special Request

Size code(2260 : 22x60)

Terminal length code

Lead forming Type code

Capacitance tolerance code(M:±20%)

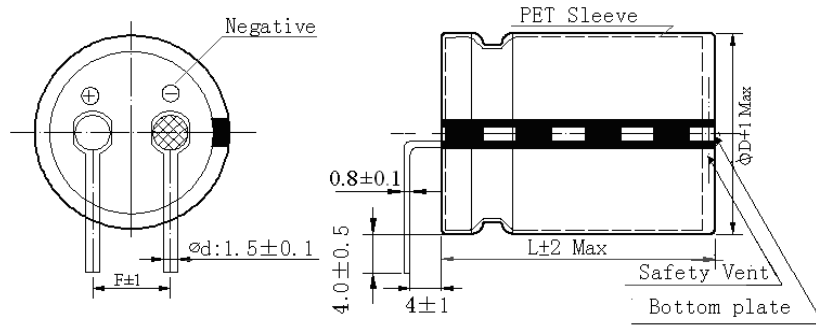
Capacitance code (820μF)

Voltage code (200V)

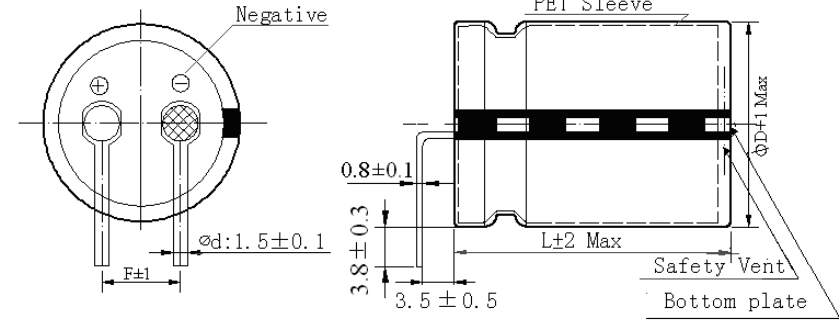
Series code (PX)

## Aluminum Electrolytic Capacitor

<b>Customer</b>	<b>Digi-Key</b>	<b>SERIES</b>	<b>PX</b>	<b>NO.:</b>	<b>PUBLISH DATE</b>	<b>2022-03-25</b>
-----------------	-----------------	---------------	-----------	-------------	---------------------	-------------------



**FIG-1**



**FIG-2**

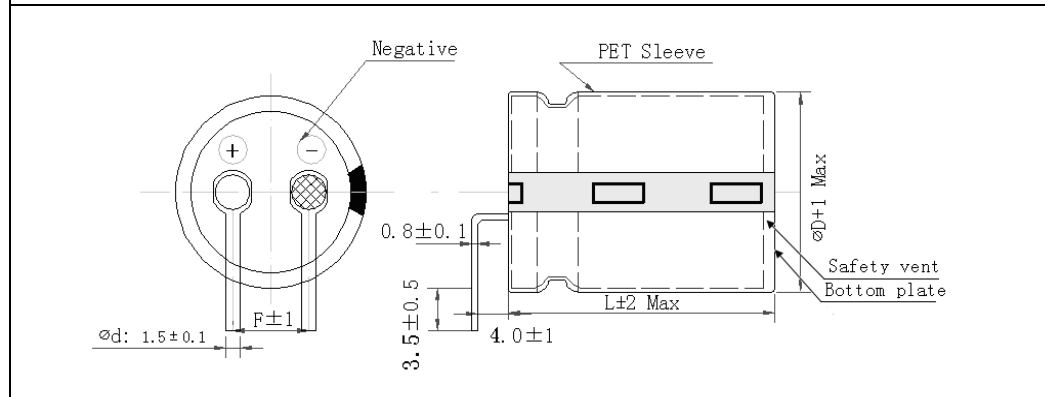
No.	CHINSAN Part No.	Customer Part No.	Capacitance (uF)	Tolerance On rated Capacitance (%)	Working Voltage (Vdc)	Surge Voltage (Vdc)	Category Temp Range (°C)	Tanδ @ 25°C (120Hz) (Max)	Leakage Current (uA) (2 min.)	Rated Ripple Current (mA rms) @ 105°C 120Hz	Rated Ripple Current (mA rms) @ 105°C 100kHz	ESR @ 25°C (mΩ max/ 120Hz)	Impedance @ 20°C (mΩ max/ 100kHz)	Endurance @ 105°C (Hours)	Dimensions (mm)					Appearance Drawing No
															D Φ	L	a	d	F	
1	PX2W101MRD2225	/	100 μF	±20%	450 V	/	-25~+105	/	/	599	/	/	/	2000	22	25	/	/	8	FIG-1
2	PX2W271MRD2540	/	270 μF	±20%	450 V	/	-25~+105	/	/	1183	/	/	/	2000	25	40	/	/	8	FIG-1
3	PX2W331MRD2545	/	330 μF	±20%	450 V	/	-25~+105	/	/	1520	/	/	/	2000	25	45	/	/	8	FIG-1
4	PX2W471MRD3045	/	470 μF	±20%	450 V	/	-25~+105	/	/	1850	/	/	/	2000	30	45	/	/	8	FIG-1
5	PX2W331M7T2260	/	330 μF	±20%	450 V	/	-25~+105	/	/	1430	/	/	470	2000	22	60	/	/	8	FIG-2

※Test leakage current before testing dissipation factor and capacitance during the electric characteristic test.

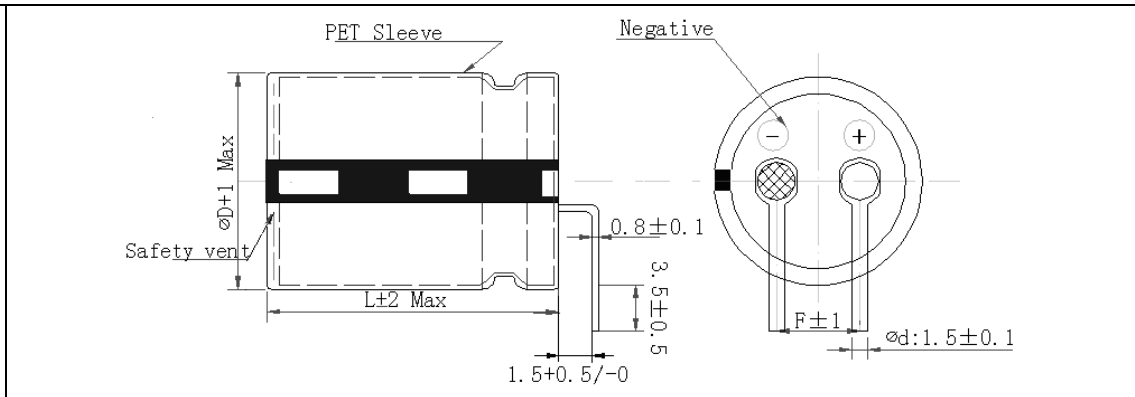
<b>REMARKS:</b>	<b>APPROVED BY</b>	<b>CHECKED BY</b>	<b>PREPARED BY</b>
Sleeve Color: Black.	张洪斌	曾爱娥	梁慧妍

## Aluminum Electrolytic Capacitor

<b>Customer</b>	<b>Digi-Key</b>	<b>SERIES</b>	<b>PX</b>	<b>NO.:</b>	<b>PUBLISH DATE</b>	<b>2022-03-25</b>
-----------------	-----------------	---------------	-----------	-------------	---------------------	-------------------



**FIG-1**



**FIG-2**

No.	CHINSAN Part No.	Customer Part No.	Capacitance (uF)	Tolerance On rated Capacitance (%)	Working Voltage (Vdc)	Surge Voltage (Vdc)	Category Temp Range (°C)	Tanδ @ 25°C (120Hz) (Max)	Leakage Current (uA) (2 min.)	Rated Ripple Current (mA rms) @ 105°C 120Hz	Rated Ripple Current (mA rms) @ 105°C 100kHz	ESR @ 25°C (mΩ max/ 120Hz)	Impedance @ 20°C (mΩ max/ 100kHz)	Endurance @ 105°C (Hours)	Dimensions (mm)					Appearance Drawing No
															D Φ	L	a	d	F	
1	PX2W561MR33050R	/	560 μF	±20%	450 V	/	-25~+105	/	/	1600	/	/	/	2000	30	50	/	/	8	FIG-1
2	PX2W681ME33050Y	/	680 μF	±20%	450 V	/	-25~+105	/	/	2130	/	/	/	2000	30	50	/	/	8	FIG-2

※Test leakage current before testing dissipation factor and capacitance during the electric characteristic test.

<b>REMARKS:</b>	<b>APPROVED BY</b>	<b>CHECKED BY</b>	<b>PREPARED BY</b>
Sleeve Color: Black. Suffix Y represents assembly without gasket.	张洪斌	曾爱娥	梁慧妍