

SC
MULTIMODE FIBER OPTIC CONNECTOR

Outer plug body and boot: color beige

Series

F728

Packaging

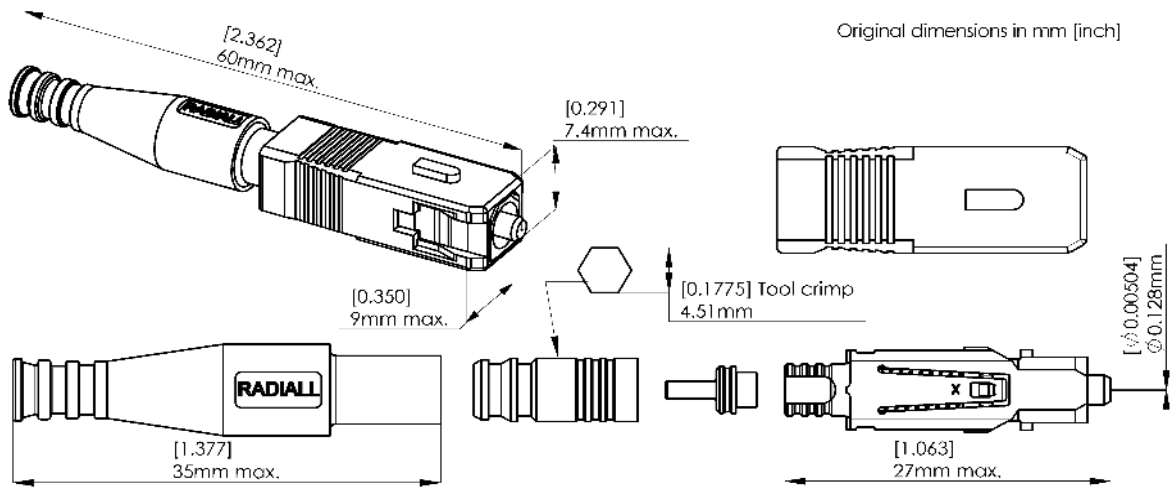
1

Issue

31Dec.10

Page

1/1


GENERAL

- Type** : IEC 61754-4 type SC
 Multimode, zirconia ceramic ferrule (20 mm pre-radius)
 Push-pull latching system, floating ferrule
 360° tunable (adjustable to 6 positions for optimization of random insertion loss)
- Ferrule size** : 128 µm
- Fiber size** : 50/125; 62.5/125µm, multimode
- Cable** : Ø 2mm, tight or semi loose structure
- Cabling proc.** : Refer to 503 08 400 (D 6121 oe), assembly instruction manual

CHARACTERISTICS (Dependant on fiber or cable construction)

Optical : Attenuation at 850 and 1310nm with led source, at EMD condition

	STD	(IEC 61300-2-40)
Mean	< 0.2 dB	(Attenuation plug mated with reference plug IEC 61300-3-4)
Standard deviation	0.08 dB	
Max	< 0.75dB, 95%	(Attenuation of random mated connectors IEC 61300-3-34)
Mean	0.25 dB	
Repeatability	0.10 dB	(Maximum loss variation, IEC 61300-2-2)
Return loss	>20 dB	(IEC 61300-3-6)

Mechanical : Mechanical endurance 500 matings
 Cable retention 100N

Environmental : Temperature range (storage/operating) -40 to +85 °C

CREATION						RADIALL® 101, rue P. Hoffmann 93116 ROSNY/BOIS FRANCE Tel : (33) 0149353535 Fax : (33) 0148546363
N°:						
PEN/EP: CAT.						
Name: PB						
Date: 11 Aug. 99	31 Dec. 10	Mise à jour performances optiques et mécaniques	SP	HD		
Appr.: LV	Issue	Revisions	Name	Appr.		