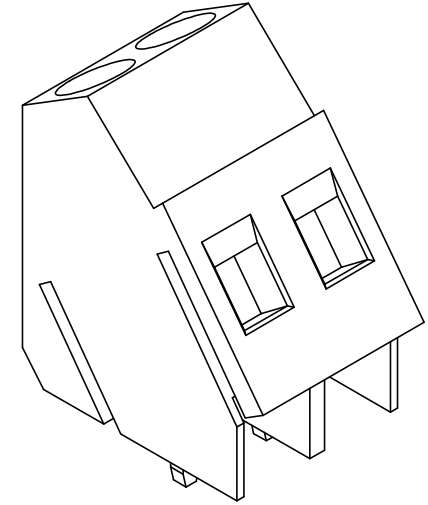
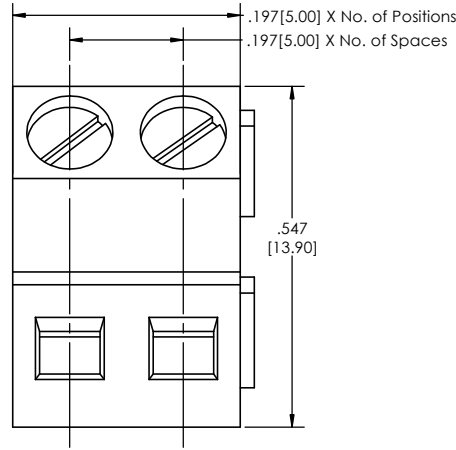
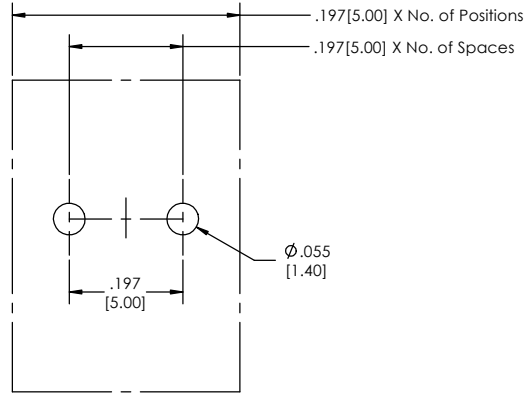


**Recommended P.C. Board Layout**  
SCALE 6:1



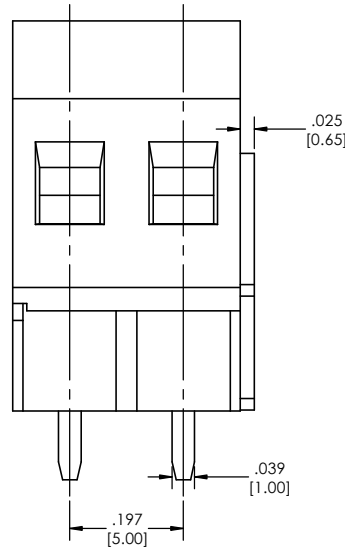
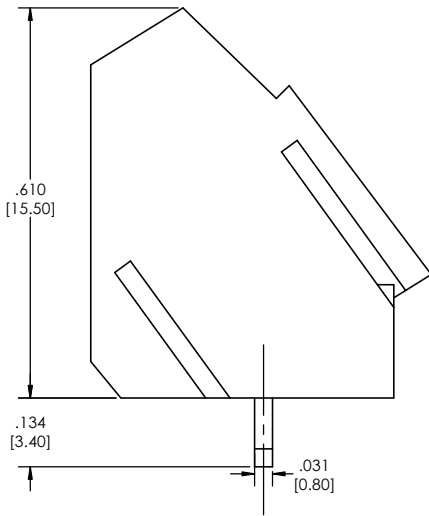
TBR - 00 - **197** - **XX** - **XX** - **LF**  
(A) (B) (C) (D)

- A. Pitch  
-  $.197$  =  $.197$ (5.00) cl
- B. No. of Positions  
- 02-24
- C. Color  
- GR= Green (Standard)  
- BK= Black  
- BL= Blue  
- WH= White  
- GY= Grey  
- OR= Orange  
- YW= Yellow  
- RD= Red  
- BR= Brown
- D. Lead Free
- Specifications:  
Current Rating: 10 Ampere  
Voltage Rating: A 250V  
Wire Range: 12-26 AWG  
Insulation Resistance: 500Mohm/ 500V  
Dielectric Withstanding Voltage: AC 2500V/1 minute  
Temperature Range: -33°C to +105°C  
Max Torque: 3.5lb-in (4.03kgf.cm)  
Strip Length: .236-.315 (6-8mm)

- Materials:  
1. Body: PA66 (Nylon), UL94V-0  
2. Screw: M2.5, C1018 Steel, Blue Zinc Plated  
3. Contact: Brass, Nickel Plated  
4. Terminal: Brass, Tin Plated

Tails may be clipped to achieve specific dimensions.

Products cut to specific sizes are uncancellable/ nonreturnable.  
Parts are subject to change without notice.



PROPRIETARY AND CONFIDENTIAL  
THE INFORMATION CONTAINED IN THIS DRAWING IS THE SOLE PROPERTY OF Major League Electronics. ANY REPRODUCTION IN PART OR AS A WHOLE WITHOUT THE WRITTEN PERMISSION OF Major League Electronics IS PROHIBITED.

UNLESS OTHERWISE SPECIFIED:		NAME	DATE
DRAWN	EOW		04/16/14
CHECKED	GWE		04/16/14
ENG APPR.			
MFG APPR.			
INTERPRET GEOMETRIC TOLERANCING PER:		ADDRESS:	
MATERIAL:		2533 Centennial Blvd. Jeffersonville, IN 47130	
FINISH:		Phone: 812-670-4174	
APPLICATION		Fax: 812-670-4175	
DO NOT SCALE DRAWING		E-Mail: mle@mlelectronics.com	
DIMENSIONS ARE IN INCHES TOLERANCES: ONE DECIMALS $\pm .100$ TWO DECIMAL $\pm .100$ THREE DECIMAL $\pm .005$ FOUR DECIMAL $\pm .002$			
TITLE: TBR-00-197 Series			
NEXT ASSY USED ON		SIZE DWG. NO.	REV
		C	A
		SCALE 6:1	SHEET 1 OF 1

