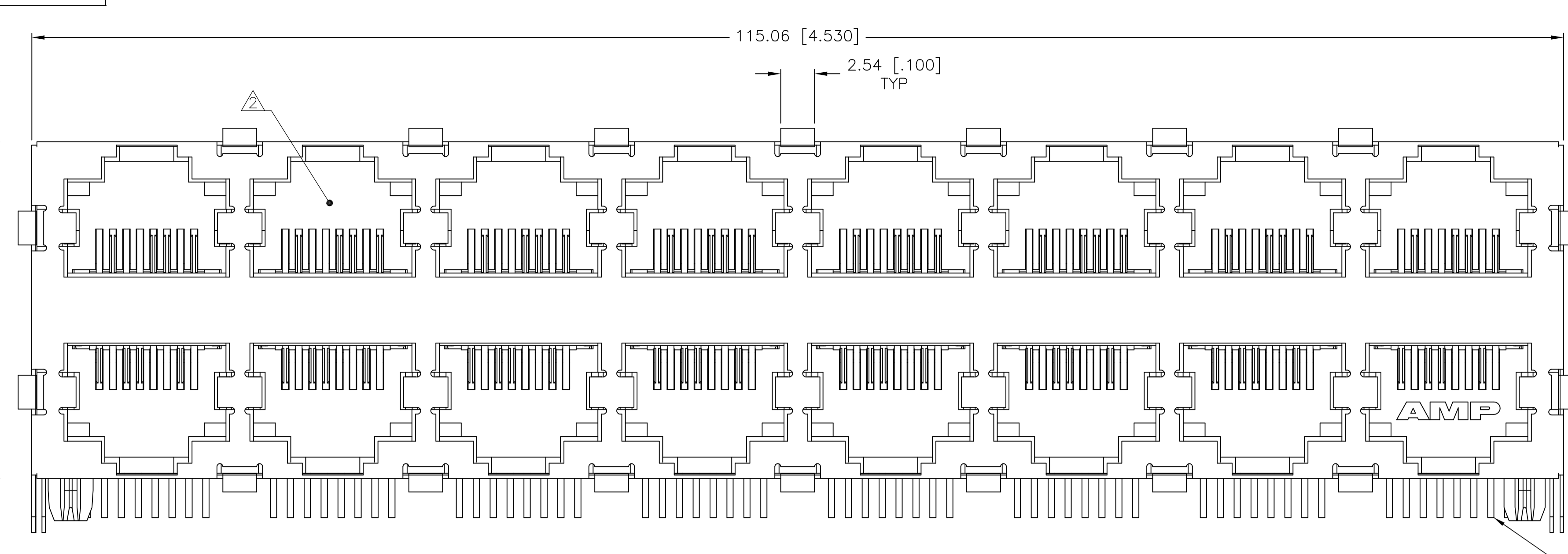
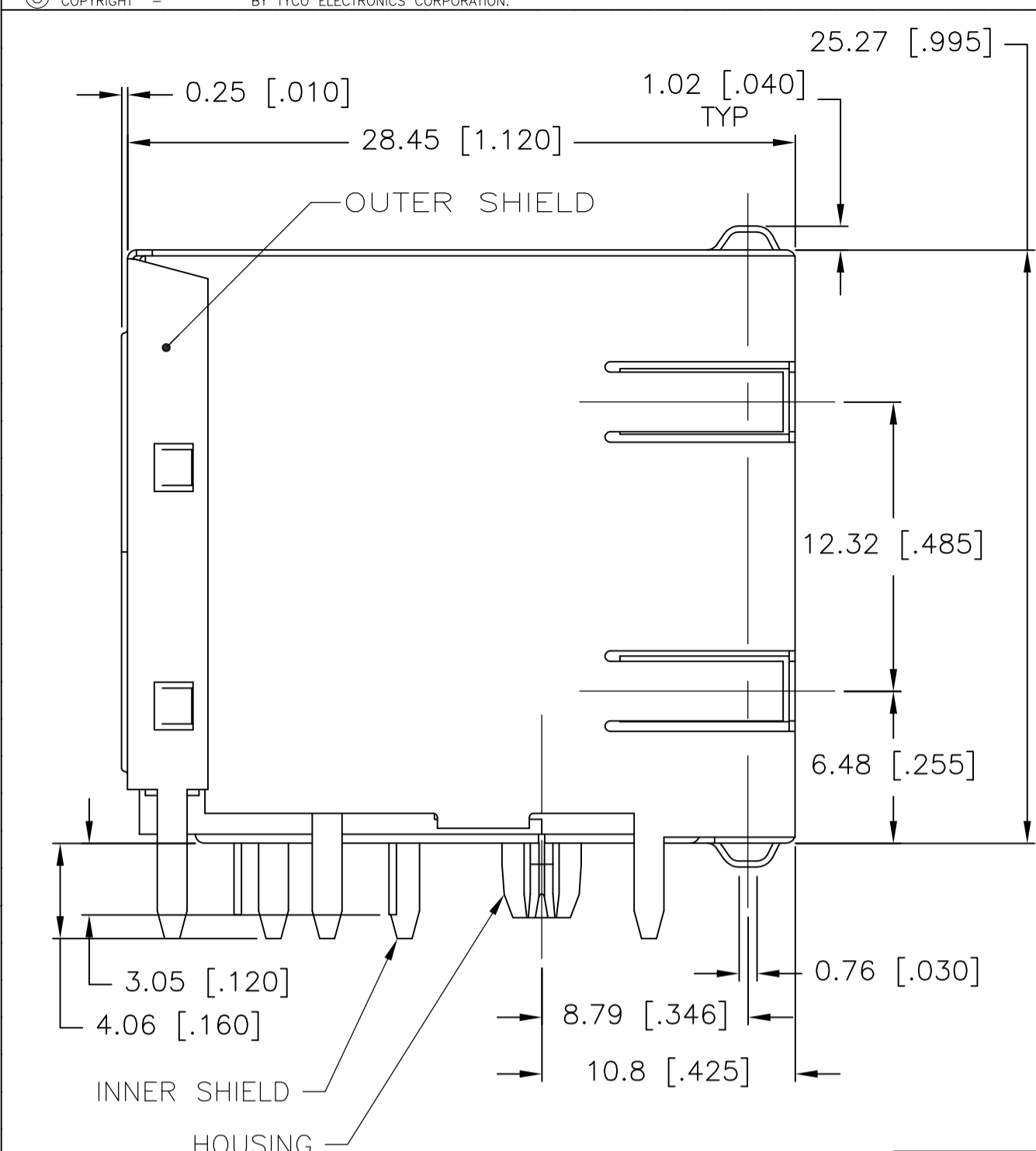


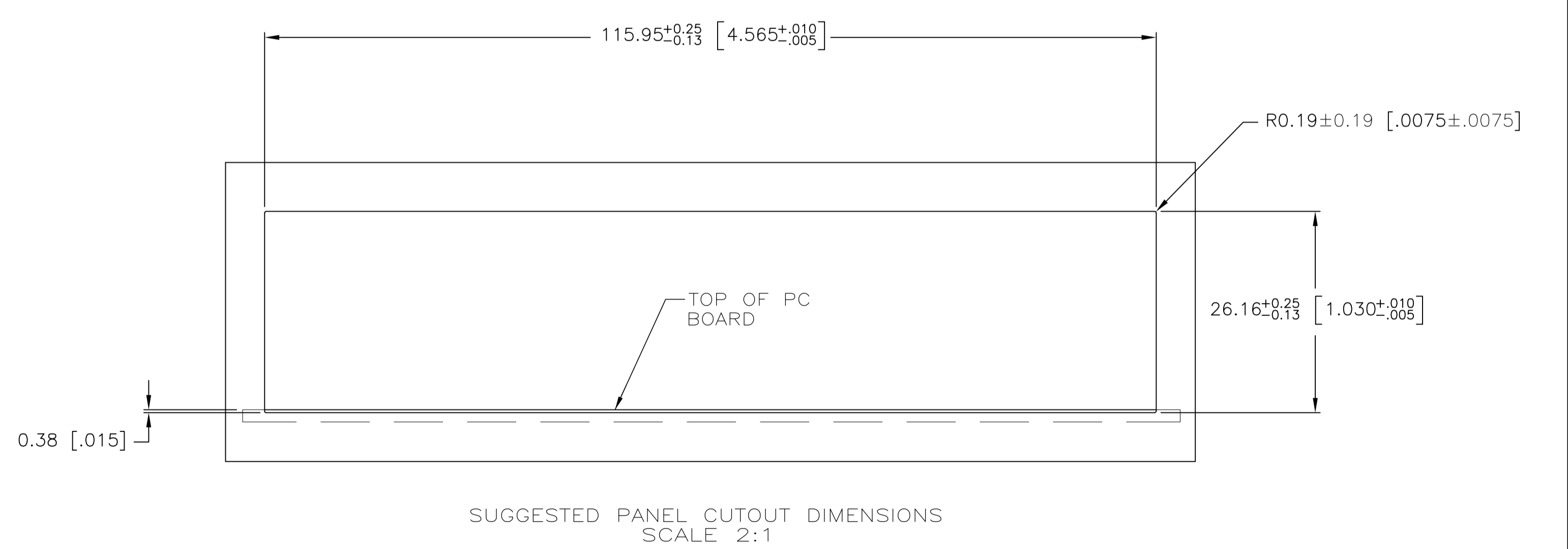
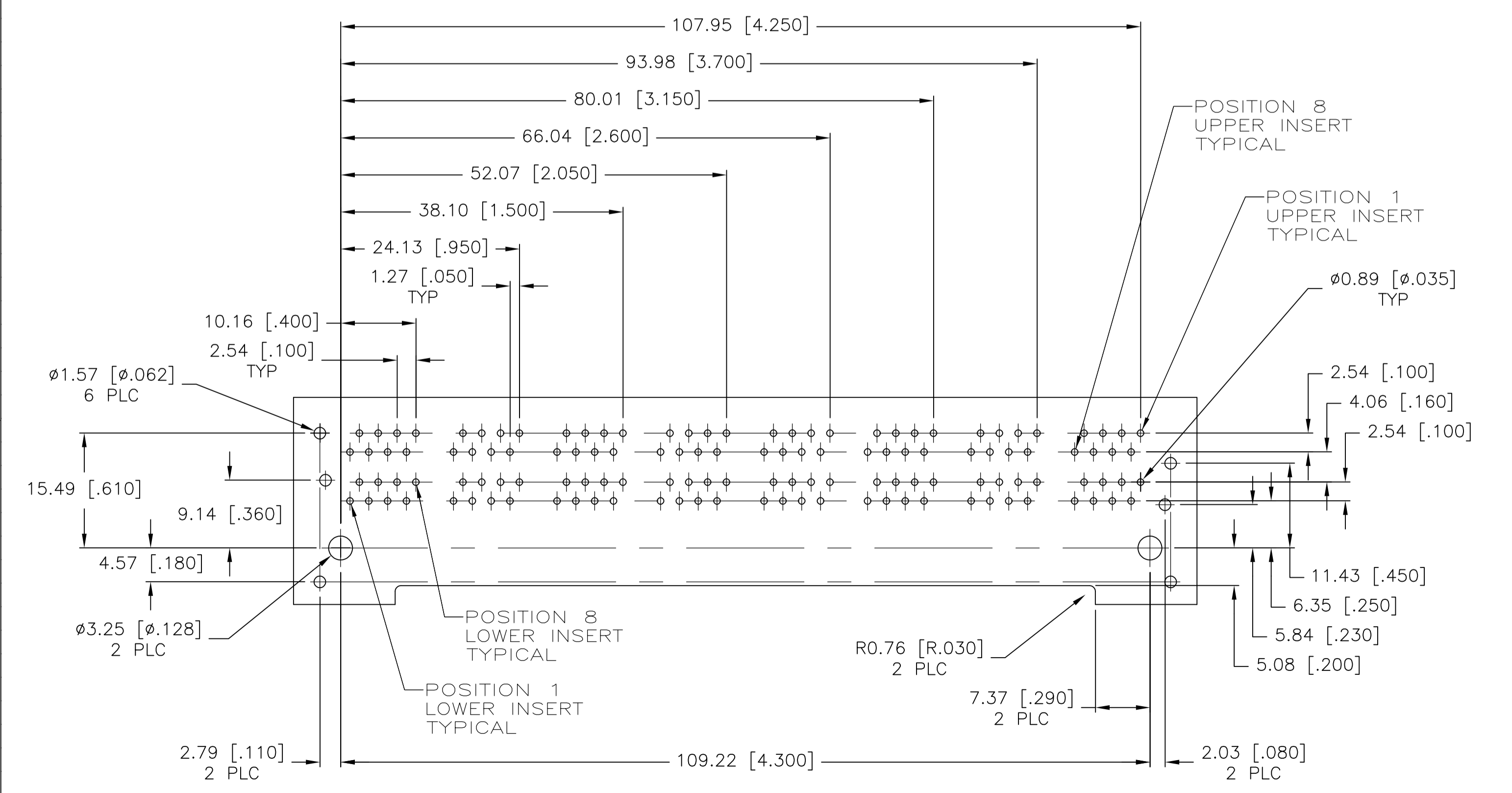
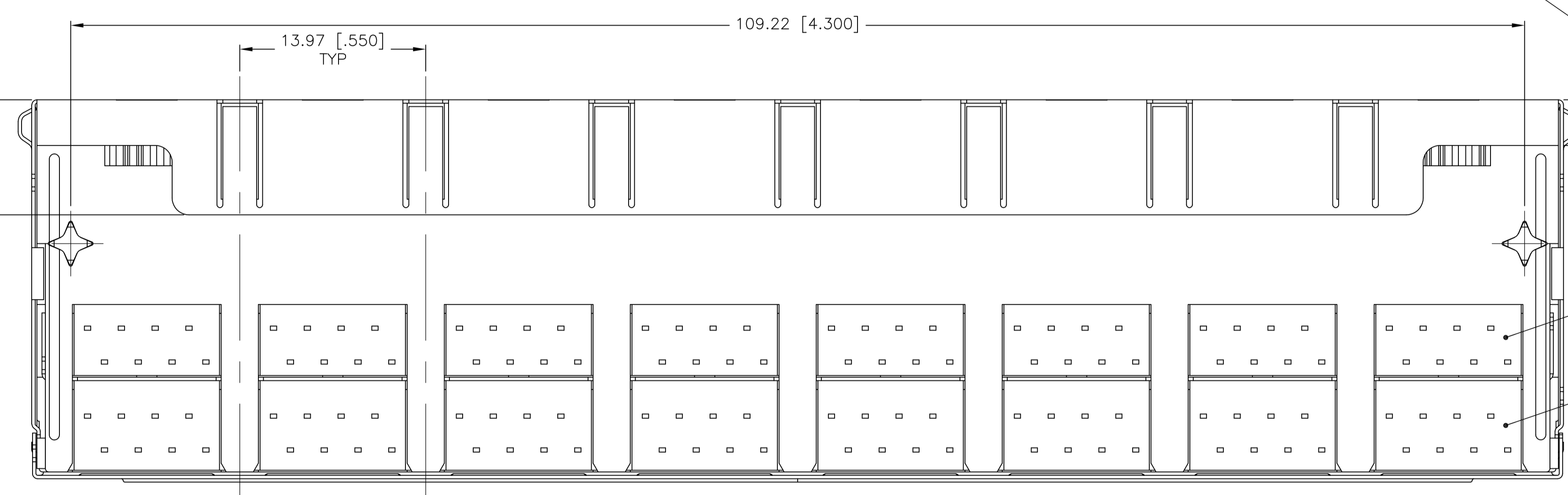
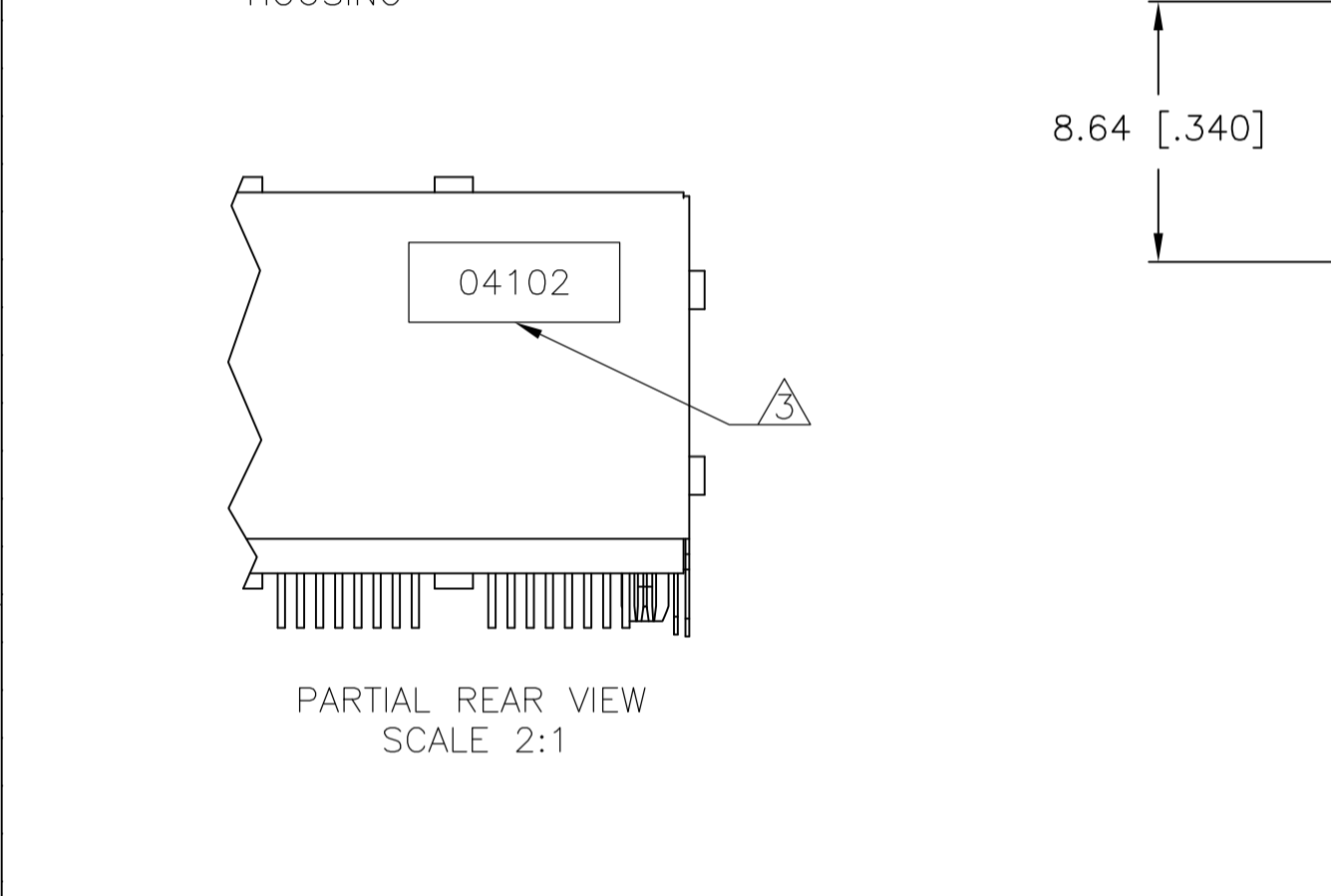
LOC		DIST		REVISIONS			
F	LTR	DESCRIPTION	DATE	DN	APVD		
A1		REVISED ECR-08-031628	02DEC08	AZ	SY		



**MATERIAL:**  
 HOUSING - PCT POLYESTER, BLACK, UL94V-0.  
 OVERMOLDED TERMINAL ARRAY - PBT, BROWN.  
 TERMINALS - 0.33 [.013] THICK PHOS BRONZE PLATED WITH 1.27um [.000050] MIN THICK HARD GOLD IN LOCALIZED AREA AND 3.81um [.000150] MIN THICK MATTE TIN IN SOLDER AREA OVER 1.27um [.000050] MIN THICK NICKEL UNDERPLATE.  
 SHIELDS - 0.25 [.010] THICK COPPER ALLOY PLATED WITH 1.27 um [.000050] MINIMUM NICKEL AND 2.03 um [.000080] MINIMUM HOT TIN DIP ON PCB GROUND TABS.

**JACK CAVITY CONFORMS TO FCC RULES AND REGULATIONS, PART 68 SUBPART F.**

**DATE CODE LOCATED ON REAR OF PART APPROX AS SHOWN:**  
 FIRST 2 DIGITS ARE LAST 2 DIGITS OF YEAR, SECOND 2 DIGITS ARE MANUFACTURING WORK WEEK, LAST DIGIT IS DAY OF WEEK, WITH SUNDAY=1.



5406495-1  
PART NUMBER

THIS DRAWING IS A CONTROLLED DOCUMENT.		DIN J. ALCORTA - 10JUN2005 DOCK 5		Tyco Electronics Corporation Harrisburg, PA 17105-3608	
DIMENSIONS: mm [INCHES]		TOLERANCES UNLESS OTHERWISE SPECIFIED:		APVD S. FLICKINGER 10JUN2005 NAME	
0 PLC ± -		1 PLC ± -		PRODUCT SPEC 108-1163-2	
2 PLC ± 0.25(.01)		3 PLC ± 0.13(.005)		APPLICATION SPEC 114-2048	
4 PLC ± -		ANGLES ± -		SIZE CASE CODE DRAWING NO RESTRICTED TO	
MATERIAL		FINISH		WEIGHT A1 00779 C=5406495	
				CUSTOMER DRAWING SCALE 4:1 SHEET 1 OF 1 REV A1	