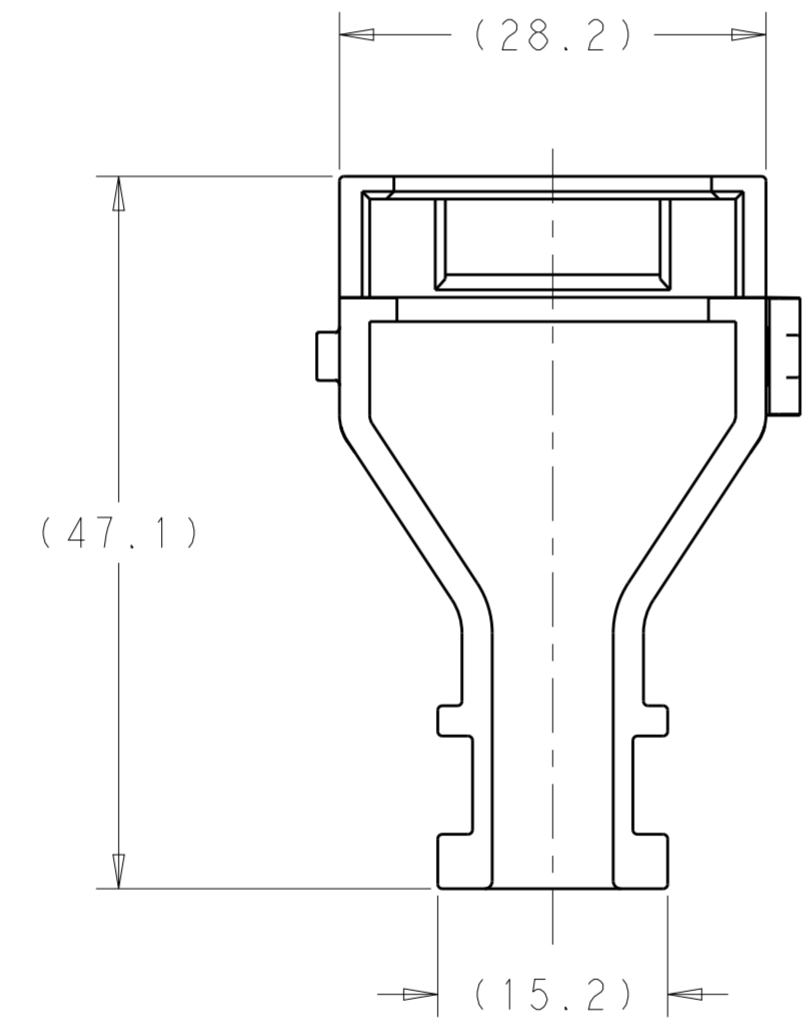
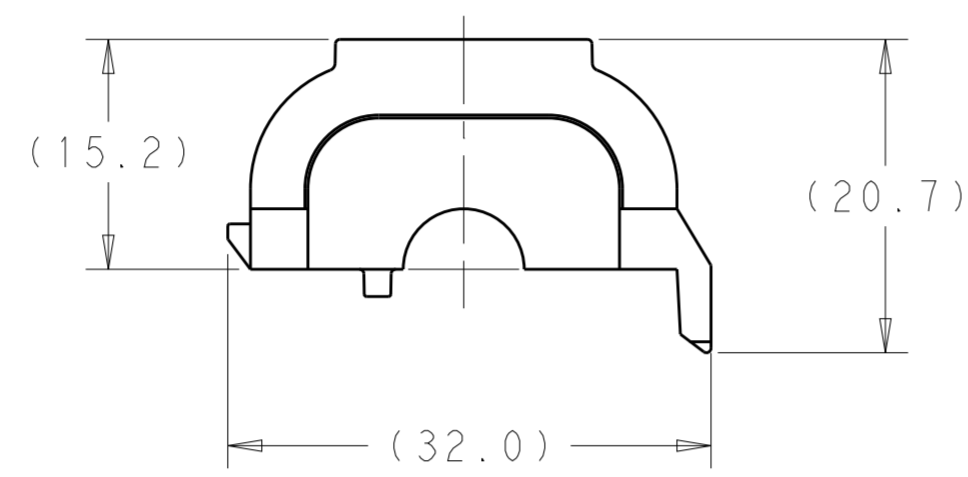
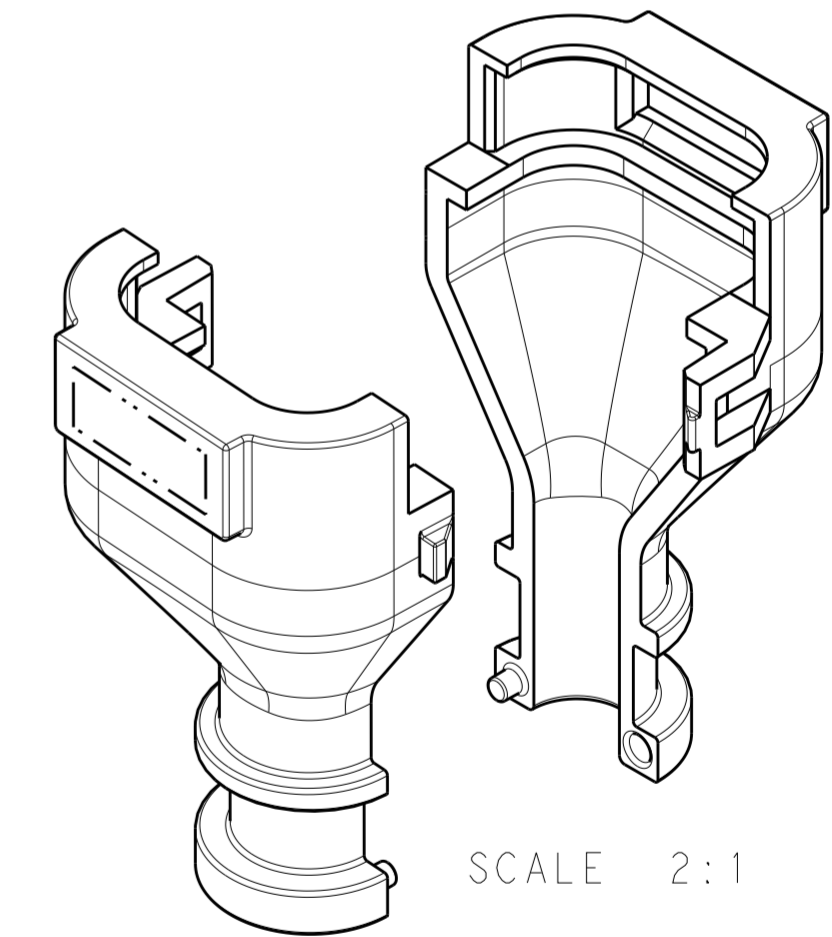


THIS DRAWING IS UNPUBLISHED. RELEASED FOR PUBLICATION 2017
 © COPYRIGHT 2017 BY - ALL RIGHTS RESERVED.

REVISIONS				
P	LTR	DESCRIPTION	DATE	APVD
A		INITIAL RELEASE	15MAR2017	DS DS
B		ECO-18-002973	28FEB2018	DS DS
C		ECO-18-016527	17OCT2018	DS DS



- 1. MATERIAL: PBT, 15% GLASS FILLED, COLOR: BLACK
- 2. USED WITH 8 POSITION AMPSEAL PLUG ASSEMBLY 776286
- 3. TWO PIECES REQUIRED PER ASSEMBLY
- 4. A WIRE TIE IS RECOMMENDED AROUND THE WIRE EXIT END OF THE BACKSHELL TO AID IN SECURING THE TWO HALVES TOGETHER



2138529-1
PART NO

THIS DRAWING IS A CONTROLLED DOCUMENT.		DWN J. MCNEAL 23FEB2017	STE TE Connectivity	
		CHK D. STRAUSSER 23FEB2017		
DIMENSIONS:	TOLERANCES UNLESS OTHERWISE SPECIFIED:	APVD -	NAME WIRE RELIEF, 8 POSITION, AMPSEAL	
mm	0 PLC ±	PRODUCT SPEC -	-	
	1 PLC ±	APPLICATION SPEC -	SIZE A2	CAGE CODE C-2138529
	2 PLC ±	WEIGHT -	RESTRICTED TO	
	3 PLC ±	CUSTOMER DRAWING	SCALE 2:1	SHEET 1 OF 1
	4 PLC ±			REV C
MATERIAL	ANGLES ±			
	FINISH -			