

NOTES:

unless otherwise specified

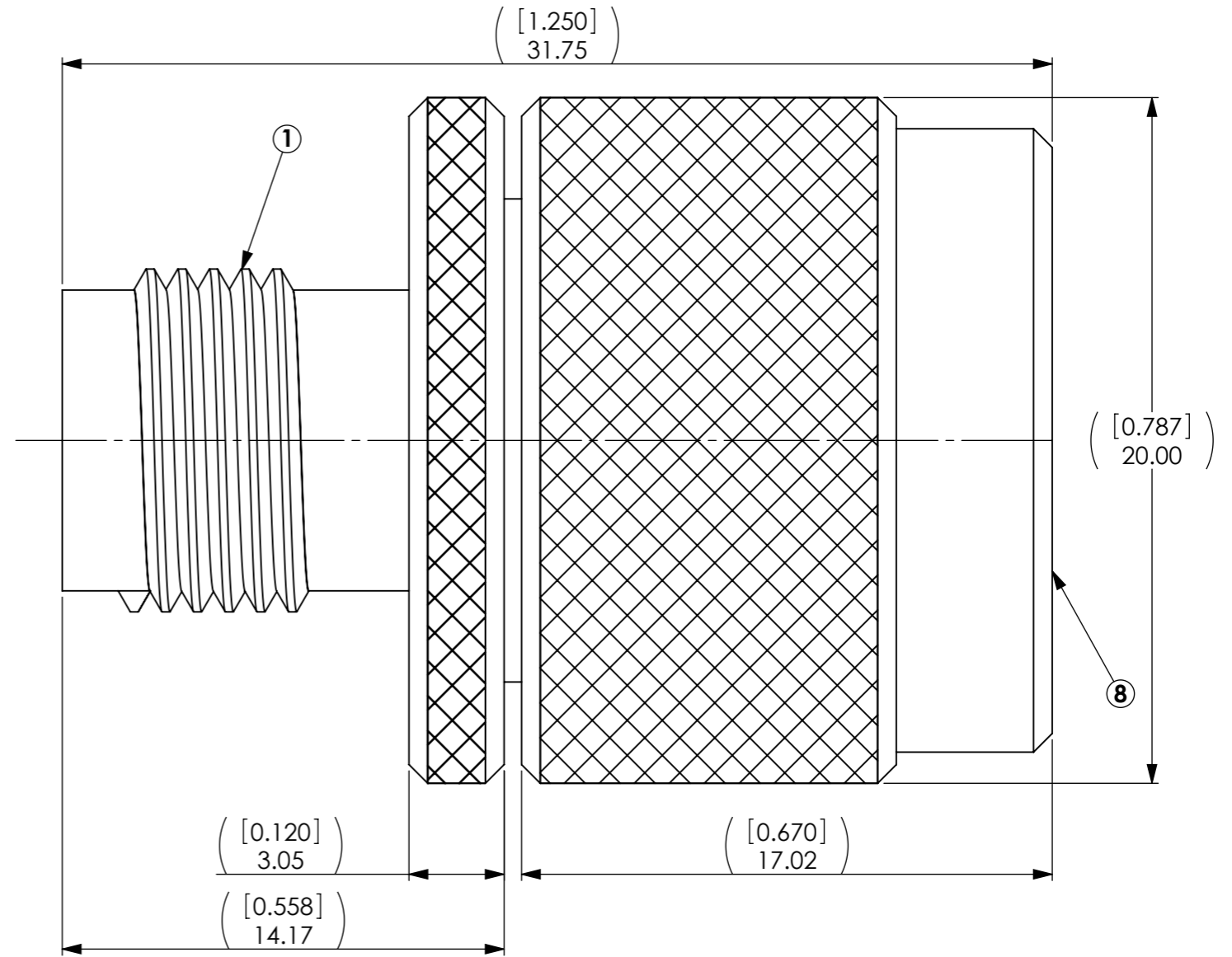
1.Specifications:

Impedance: 50 OHMS
 Working Voltage: 500 VRMS @ Sea Level
 Frequency Range: 0-7 GHz
 Interface per MIL-STD-348, Section 304.1 & 313.2

ALL DIMENSIONS ARE FOR REFERENCE ONLY

ITEM	DESCRIPTION	QTY	MATERIAL	FINISH
1	BODY	1	BRASS	NICKEL
2	CONTACT	1	BRASS	GOLD
3	DIELECTRIC	1	TEFLON	NONE
4	DIELECTRIC	1	TEFLON	NONE
5	GROUND RING	1	BRASS	NICKEL
6	GASKET	1	S.I. RUBBER	RED
7	RETAINING RING	1	BRASS	NONE
8	SHELL	1	BRASS	NICKEL

REVISIONS					
ZONE	REV.	DESCRIPTION	DATE	DRAWN BY	ECR NUMBER
ALL	A	INITIAL DRAWING RELEASE	8/22/2012	PFR	N/A



Notes:
 THE COMPONENT(S), INCLUDING ANY PLATING, FINISHES, COATINGS, CHEMICALS AND SURFACES TREATMENTS, SUPPLIED IN THIS DOCUMENT/DRAWING MUST CONFORM AND COMPLY WITH THE LATEST ISSUE OF LAIRD TECHNOLOGIES SPECIFICATION LT-GES-001, WHICH FULLY INCLUDES BUT IS NOT LIMITED TO ALL CONTENTS OF EU DIRECTIVES 2002/96/EC (RoHS DIRECTIVE), AS WELL AS INCLUDES REQUIREMENTS OF THE JOINT INDUSTRY GUIDE STANDARD JIG-101, APRIL 2005. THE COMPONENT(S) IN THIS DOCUMENT/DRAWING MAY BE SUBJECT TO A FULL COMPOUND ANALYSIS FOR PROOF OF COMPLIANCE. THE LATEST ISSUE OF LAIRD TECHNOLOGIES SPECIFICATION LT-GES-001, (GENERAL SPECIFICATION FOR THE ENVIRONMENT) IS READILY AVAILABLE UPON REQUEST FROM THE SUPPLIER.

UNLESS OTHERWISE NOTED, THIS DOCUMENT CONTAINS LAIRD TECHNOLOGIES CONFIDENTIAL INFORMATION. REPRODUCTION, USE, DISCLOSURE OR TRANSMITTAL OF ALL OR ANY PART OF THIS DOCUMENT IS PROHIBITED EXCEPT TO THE EXTENT APPROVED IN WRITING BY AN AUTHORIZED REPRESENTATIVE OF LAIRD TECHNOLOGIES. LAIRD TECHNOLOGIES RESERVES ALL RIGHTS UNDER PATENTS, TRADEMARKS, COPY RIGHTS AND TRADE SECRETS. COPYRIGHT, LAIRD TECHNOLOGIES 2008, ALL RIGHTS RESERVED.

MATERIAL: SEE TABLE		THIRD ANGLE PROJECTION
FINISH: SEE TABLE		
APPROVALS	DATE	INTERPRET DIMENSIONING AND TOLERANCING IN ACCORDANCE WITH ASME Y14.5M-1994
ME:		DO NOT SCALE DRAWING
RF:		TOLERANCES UNLESS OTHERWISE SPECIFIED
EM:		DIMENSIONS ARE IN MILLIMETERS
Prod:		ANGLE: ±30'
		0 PLACE DECIMAL: ±0.5
		1 PLACE DECIMAL: ±0.25
		2 PLACE DECIMAL: ±0.13

Laird TECHNOLOGIES 1751 WILKENING COURT
 SCHAUMBURG, IL 60173
 USA

TITLE: TNC FEMALE TO N MALE

SIZE A3	DWG NO. CNTNCF	REV A
----------------	-----------------------	--------------