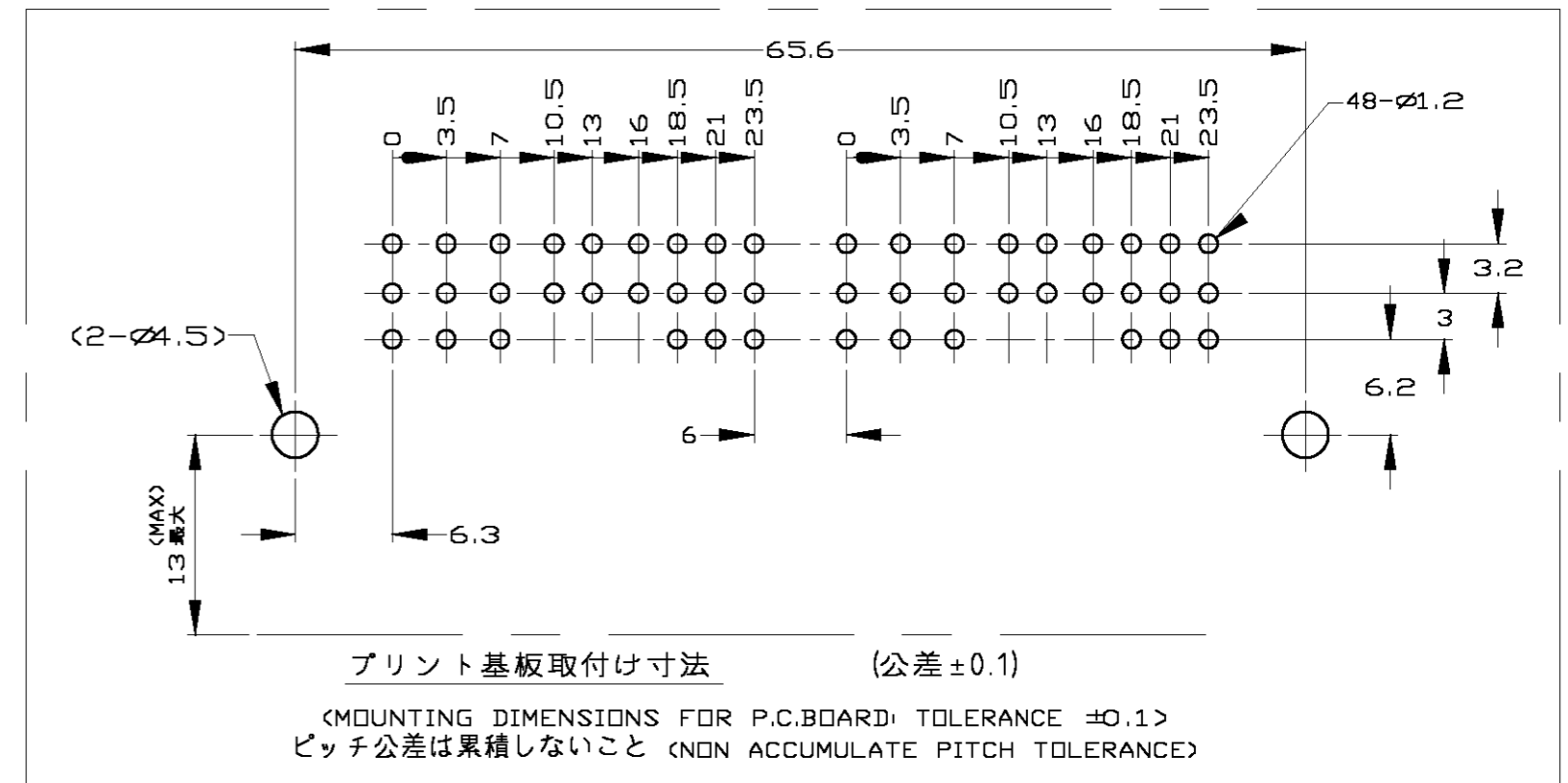
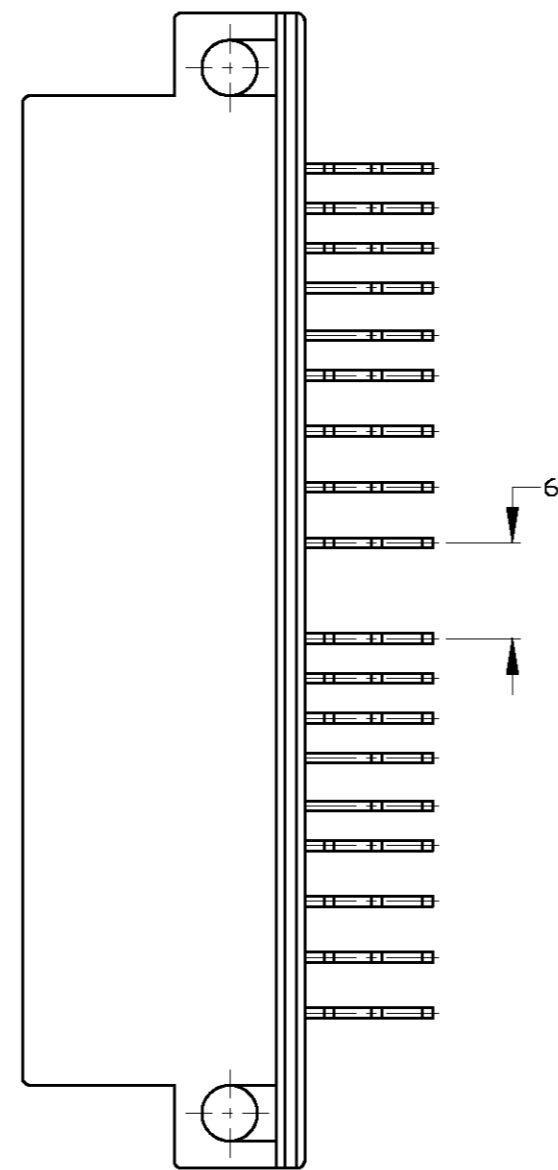
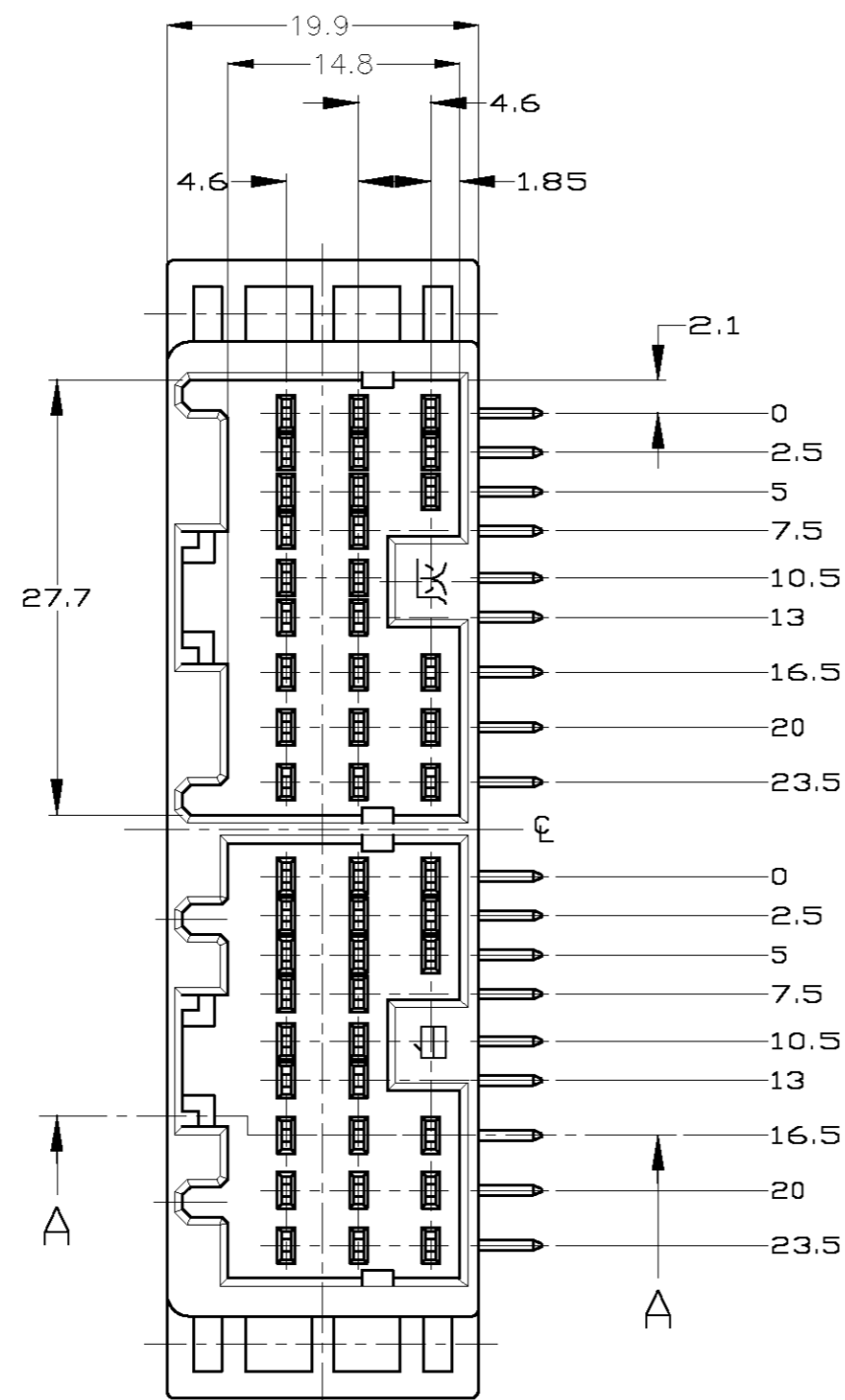
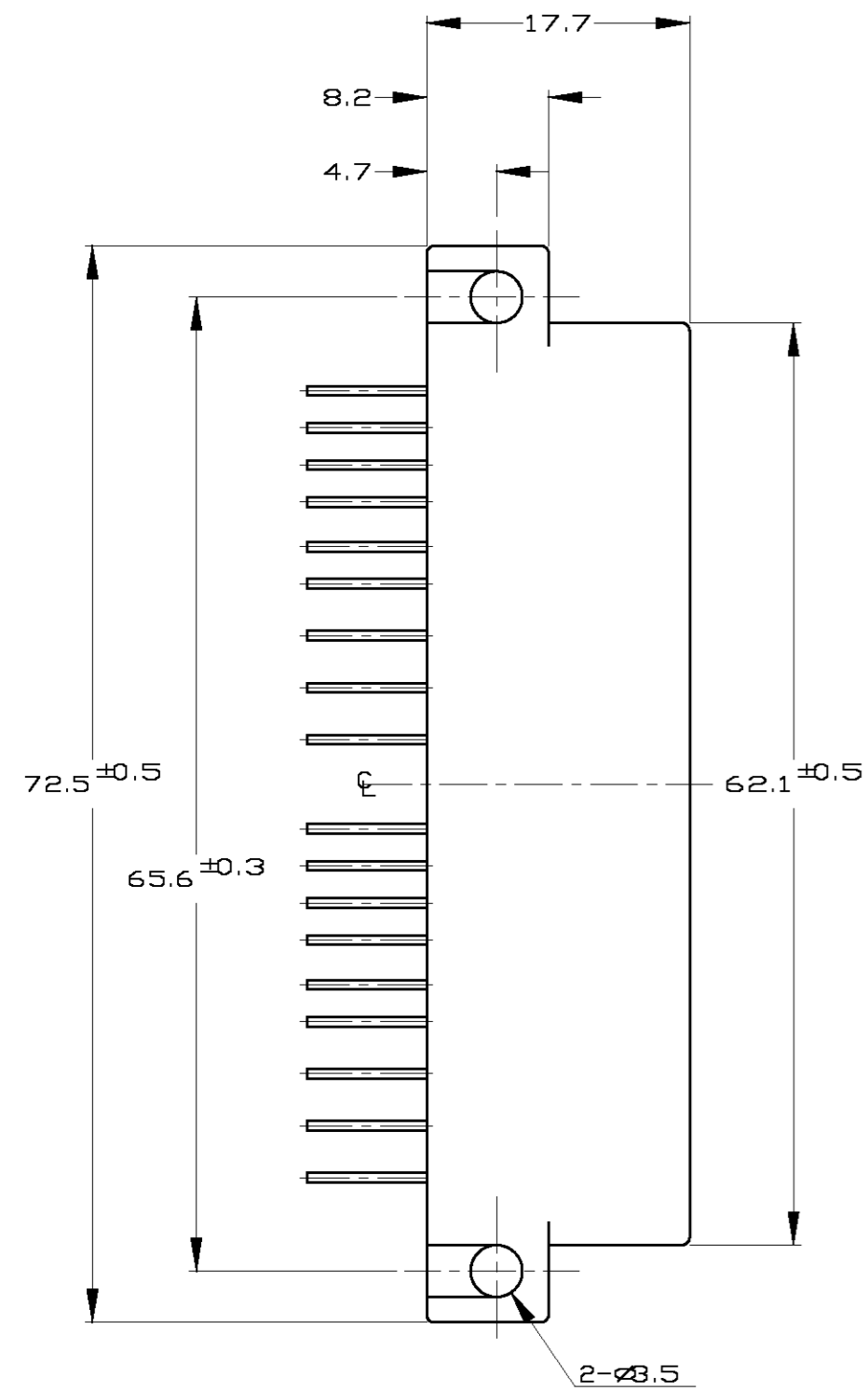


THIS DRAWING IS UNPUBLISHED. RELEASED FOR PUBLICATION
 © COPYRIGHT 2003 BY TYCO ELECTRONICS CORPORATION. ALL RIGHTS RESERVED.

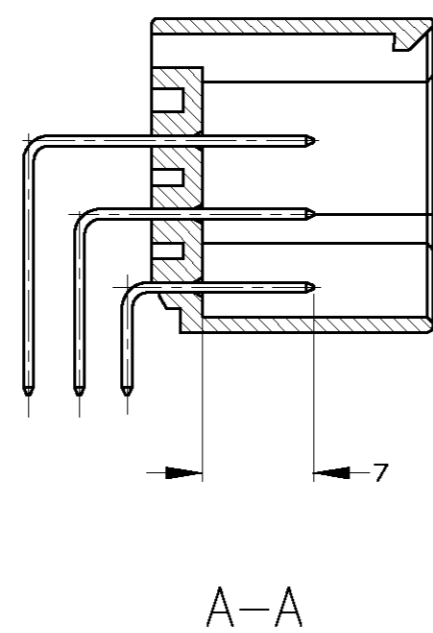
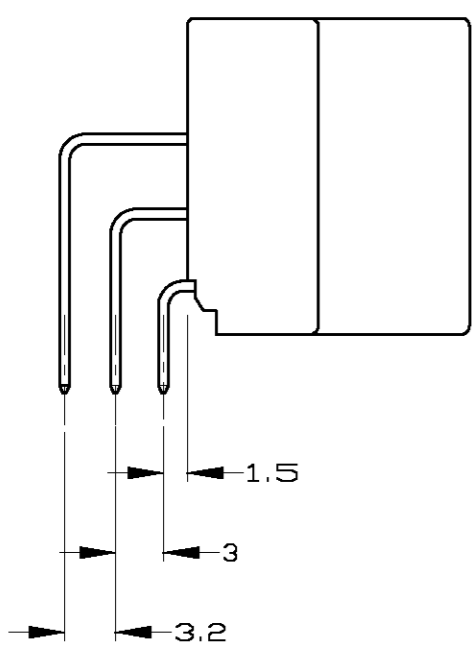
LOC	DIST	REVISONS					
J	-	P	LTR	DESCRIPTION	DATE	DWN	APVD
		C4	REVISED	ECR-08-028602	17NOV08	AY	KS



NOTE;

- 1 APPLICABLE P.C.BOARD THICKNESS: 1.6mm
- 2 RECOMMENDED MOUNTING SCREW: 4mmDIA, 6mmLENGTH
TAPPING SCREW SPECIFIED IN JIS B1115, B1122
<TIGHTENING TORQUE: 39.2N/cm MAX>
- 3 THE MATING PLUG HSG P/N: 316371,316372
- 4 PRODUCT SPEC. NO.108-5452
- 5 PACKING FOR UNISIA JECS PART NUMBER: 9-316370-6

- 1 適用プリント基板厚: 1.6mm
- 2 推奨取付ネジ: JIS B1115, B1122 タッピングネジ, ナベ2種
呼び径4, 長さ 6mm (締付トルク 39.2N/cm 以下)
- 3 嵌合相手型番: 316371, 316372
- 4 適用製品規格番号: 108-5452
- 5 ユニシア ジェックス向け、通い箱仕様品型番: 9-316370-6



TOLERANCE UNLESS OTHERWISE SPECIFIED: 一般公差

0 < x ≤ 10	: ±0.2
10 < x ≤ 30	: ±0.25
30 < x ≤ 100	: ±0.3
ANGLE	: ±3°

THIS DRAWING IS A CONTROLLED DOCUMENT.

DIMENSIONS: 単位: 特	TOLERANCES UNLESS OTHERWISE SPECIFIED: 一般公差
0 PLC ±	1 PLC ±
1 PLC ±	2 PLC ±
2 PLC ±	3 PLC ±
3 PLC ±	4 PLC ±
4 PLC ±	ANGLES ±
MATERIAL 材料	FINISH 仕上
HOUSING: PBT	SEE TABLE
CONTACT: BRASS	

5 PRE-TINNED	淡灰 (LIGHT GRAY)	9-316370-6	
PRE-TINNED	淡灰 (LIGHT GRAY)	316370-6	
SELECTIVE-TIN (MATTE)	SELECTIVE-TIN (BRIGHT)	淡灰 (LIGHT GRAY)	316370-2
SELECTIVE-TIN	PRE-TIN	淡灰 (LIGHT GRAY)	316370-1
半田付け部 SOLDERING SIDE	嵌合部側 CONTACT SIDE	色 COLOR	型番 PART NUMBER
CONTACT FINISH			

THIS DRAWING IS A CONTROLLED DOCUMENT.		DWN A.YAMAGUCHI 02APR03	Tyco Electronics AMP K.K. Kawasaki, Japan	
CHK K.BETSUI 02APR03		NAME 名称		
APVD K.BETSUI 02APR03		040II SRS MULTI-LOCK CONNECTOR		
PRODUCT SPEC 製品規格		48POS CAP ASSEMBLY		
APPLICATION SPEC 取付適用規格		SIZE A2	CAGE CODE 00779	DRAWING NO 番号 316370
WEIGHT		RESTRICTED TO		
CUSTOMER DRAWING		SCALE 2:1	SHEET 1 OF 1	REV C4