

CAN-bus Surge Protection

Solution Products



TBU-CA065-100-WH



MOV-10D201K



CDSOT23-T12LC

Design Kit



PN-DESIGNKIT-26

Objective

CAN is a serial bus with a message-based protocol designed specifically for automotive applications but can also be used in other areas such as industrial automation and medical equipment. Bit rates up to 1 Mbit/s are possible at network lengths below 40 m. This solution provides protection from high energy surges originating from switching and/or higher voltage transients.

Solution

2 TBU® High-Speed Protectors:
TBU-CA065-100-WH
2 MOVs: MOV-10D201K
2 TVS Diode Arrays: CDSOT23-T12LC

Compliance

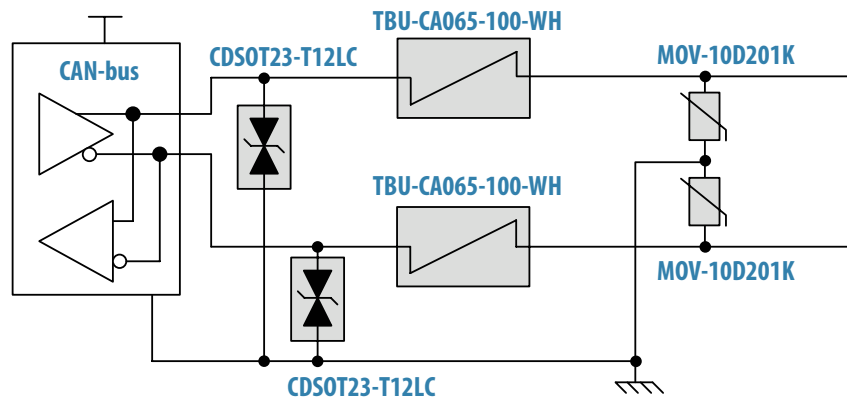
IEC 61000-4-4 EFT
IEC 61000-4-5 Surge / Lightning

Alternate Recommendations

- 2x CDSOT23-S2004

Benefit

This solution is designed to protect the interface from surge events.



The schematic above illustrates the application protection and does not constitute the complete circuit design. Customers should verify actual device performance in their specific applications.