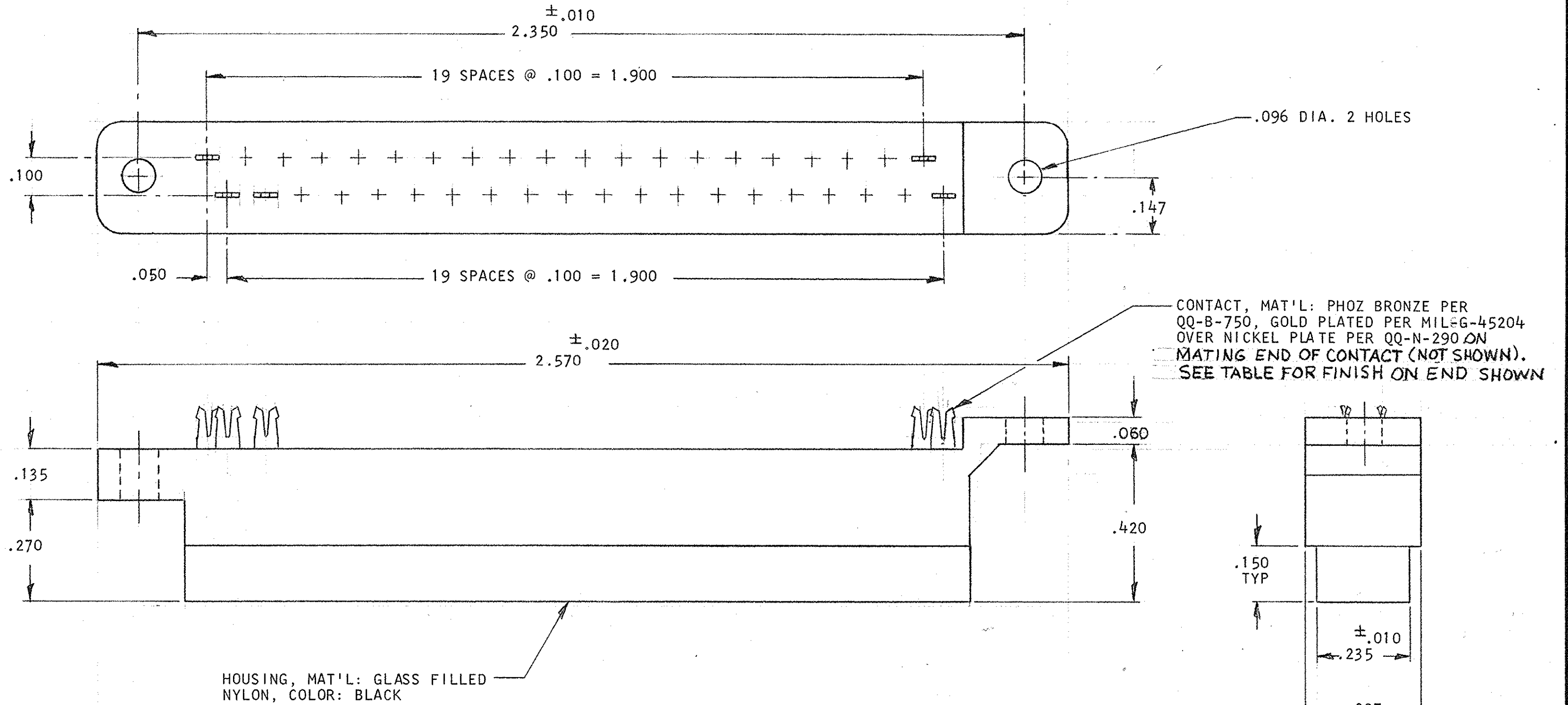



© COPYRIGHT 1980 BY AMP INCORPORATED, HARRISBURG, PA.
 ALL INTERNATIONAL RIGHTS RESERVED. AMP INCORPORATED PRODUCTS
 COVERED BY U. S. AND FOREIGN PATENTS AND/OR PATENTS PENDING.

| REVISIONS | | | | | | |
|-----------|---|------|-----|-------------------------|---------|----------|
| P | F | ZONE | LTR | DESCRIPTION | DATE | APPROVED |
| ✓ | ✓ | | O | RELEASED WAS 5088-220 | 9-25-80 | AS |
| | | | A | REVISED PER OH4-0139-05 | 1-26-06 | Py RG |

1. COVER INCLUDED



| | |
|---|--|
| 5-208498-1 | MATTE TIN PLATE |
| 208498-1 | BRIGHT TIN-LEAD PLATE |
| PART NO | FINISH FOR INSULATION DISPLACEMENT END OF CONTACT PART NO |
| UNLESS OTHERWISE SPECIFIED DIMENSIONS ARE IN INCHES. TOLERANCES ON: DECIMALS ±.005 ANGLES ± # | CONTRACT NO |
| MATERIAL SEE CALLOUT | DR <i>Steve Smith</i> 9/25/80 CHK <i>E. Emanuel</i> 9-25-80 APPD <i>Steve Smith</i> 9/25/80 APPD <i>William B. Long</i> 9/25/80 |
| FINISH SEE CALLOUT | DSGN APPD OTHER APPD |
|  AMP INCORPORATED Harrisburg, Pa. | |
| NAME PIN BLOCK, 40 POS., ZERO ENTRY (FOR RIBBON CABLE) AND COVER | |
| SIZE C | CODE IDENT NO 00779 |
| DRAWING NO 208498 | |
| SCALE # | SHEET 1 OF 1 |

208498