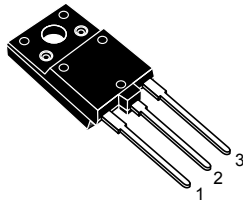
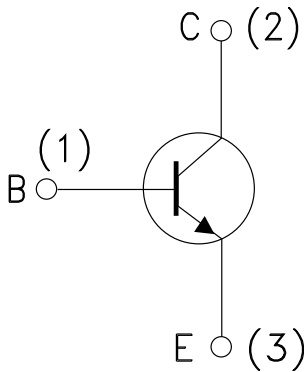


## High voltage fast-switching NPN Power transistor



TO-3PF



SC06960



### Features

- State-of-the-art technology:
  - Diffused collector “Enhanced generation” EHVS1
- More stable performances versus operating temperature variation
- Low base-drive requirements
- Tighter  $h_{FE}$  range at operating collector current
- Fully insulated power package UL compliant
- In compliance with the 2002/93/EC European directive

### Application

- Electronic ballast for fluorescent lighting
- Switch mode power supplies

### Description

The device is manufactured using Diffused Collector in Planar technology adopting new and enhanced high voltage structure 1 (EHVS1).

#### Product status link

[ST1510FX](#)

#### Product summary

<b>Order code</b>	ST1510FX
<b>Marking</b>	1510FX
<b>Package</b>	TO-3PF
<b>Packing</b>	Tube

# 1 Electrical ratings

$T_{\text{case}} = 25^{\circ}\text{C}$  unless otherwise specified.

**Table 1. Electrical characteristics**

Symbol	Parameter	Value	Unit
$V_{\text{CES}}$	Collector-emitter voltage ( $V_{\text{BE}} = 0 \text{ V}$ )	1500	V
$V_{\text{CEO}}$	Collector-emitter voltage ( $I_{\text{B}} = 0 \text{ A}$ )	750	V
$V_{\text{EBO}}$	Collector-base voltage ( $I_{\text{C}} = 0 \text{ A}$ )	9	V
$I_{\text{C}}$	Collector current	12	A
$I_{\text{CM}}$	Collector peak current ( $t_{\text{p}} < 5 \text{ ms}$ )	20	A
$I_{\text{B}}$	Base current	6	A
$P_{\text{TOT}}$	Total power dissipation at $T_{\text{c}} = 25^{\circ}\text{C}$	62	W
$V_{\text{isol}}$	Insulation withstand voltage (RMS) from all three leads to external heat sink	2.5	kV
$T_{\text{stg}}$	Storage temperature	-65 to 150	°C
$T_{\text{J}}$	Max. operating junction temperature	150	

**Table 2. Thermal data**

Symbol	Parameter	Value	Unit
$R_{\text{thj-case}}$	Thermal resistance junction-case	2	°C/W
$R_{\text{thj-amb}}$	Thermal resistance junction-ambient	50	°C/W

## 2 Electrical characteristics

$T_{\text{case}} = 25^{\circ}\text{C}$  unless otherwise specified.

**Table 3. Electrical characteristics**

Symbol	Parameter	Test conditions	Min.	Typ.	Max.	Unit
$I_{\text{CES}}$	Collector cut-off current	$V_{\text{CE}} = 1500 \text{ V}$ $V_{\text{BE}} = 0 \text{ V}$			0.2	mA
		$V_{\text{CE}} = 1500 \text{ V } T_{\text{C}} = 125^{\circ}\text{C}$ $V_{\text{BE}} = 0 \text{ V }^{(1)}$			2	
$I_{\text{EBO}}$	Emitter cut-off current	$V_{\text{EB}} = 9 \text{ V}$ $I_{\text{C}} = 0 \text{ A}$			1	mA
$V_{\text{CEO(sus)}}^{(2)}$	Collector-emitter sustaining voltage	$I_{\text{C}} = 100 \text{ mA}$ $I_{\text{B}} = 0 \text{ A}$	750			V
$V_{\text{CE(sat)}}^{(2)}$	Collector-emitter saturation voltage	$I_{\text{C}} = 6 \text{ A } I_{\text{B}} = 1.5 \text{ A}$			2	V
$V_{\text{BE(sat)}}^{(2)}$	Base-emitter saturation voltage	$I_{\text{C}} = 6 \text{ A } I_{\text{B}} = 1.5 \text{ A}$			1.1	V
$h_{\text{FE}}^{(2)}$	DC current gain	$I_{\text{C}} = 1 \text{ A } V_{\text{CE}} = 5 \text{ V}$	15	28		
		$I_{\text{C}} = 6 \text{ A } V_{\text{CE}} = 5 \text{ V}$	6.5		9.5	
		$I_{\text{C}} = 7 \text{ A } V_{\text{CE}} = 1 \text{ V}$		5.5		
	Inductive load	$I_{\text{C}} = 6 \text{ A}, I_{\text{B(on)}} = 1.2 \text{ A},$ $I_{\text{B(off)}} = -2.4 \text{ A}, L = 500 \mu\text{H},$				$\mu\text{s}$
$t_{\text{s}}$	Storage time			2		
$t_{\text{f}}$	Fall time	$V_{\text{clamp}} = 350 \text{ V}$		0.2		

1. Defined by design, not subject to production test.

2. Pulsed: Pulse duration = 300 ms, duty cycle 1.5%.

## 2.1 Electrical characteristics (curves)

Figure 1. Safe operating area

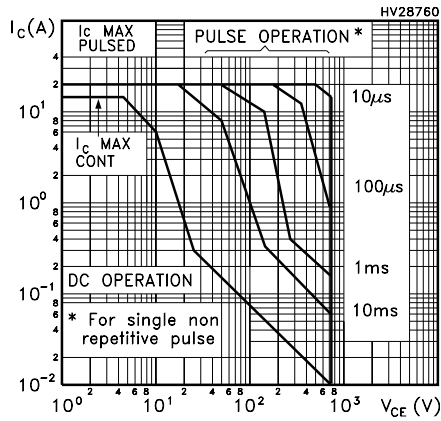


Figure 2. Derating curve

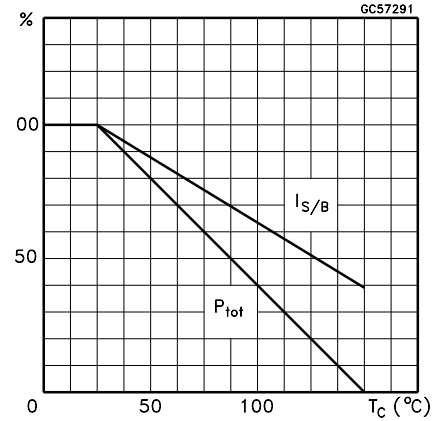


Figure 3. Output characteristics

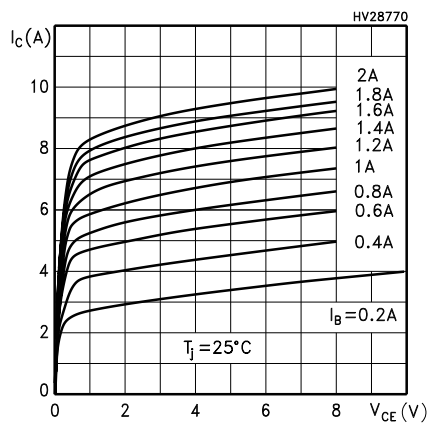


Figure 4. Reverse biased SOA

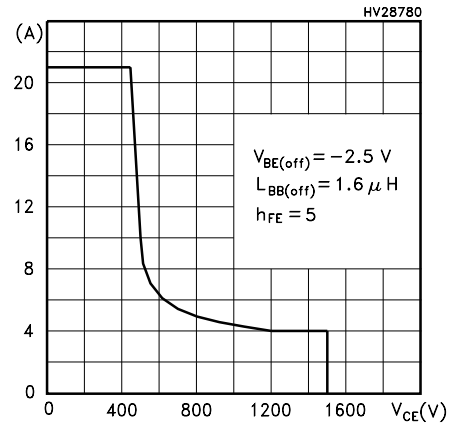


Figure 5. DC current gain at VCE = 1 V

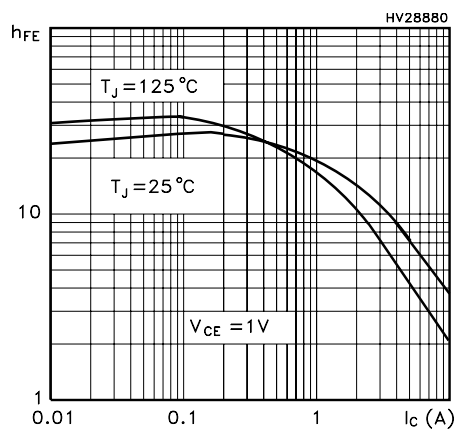


Figure 6. DC current gain at VCE = 5 V

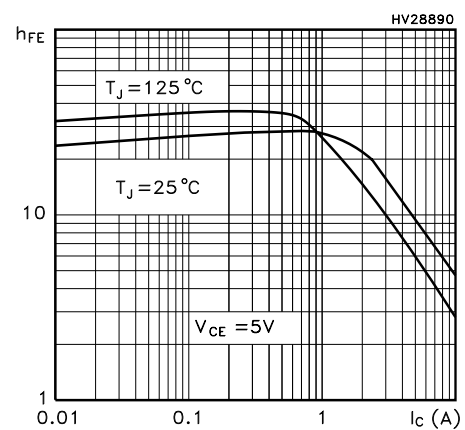


Figure 7. Collector emitter saturation voltage

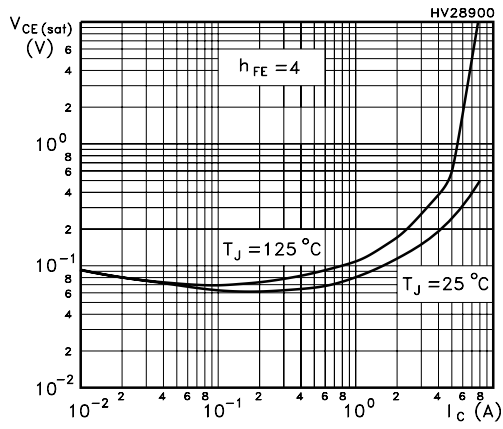
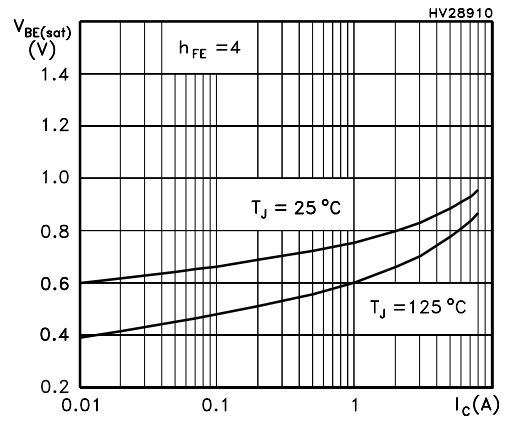


Figure 8. Base emitter saturation voltage



### 3 Test circuits

Figure 9. Power losses and inductive load switching

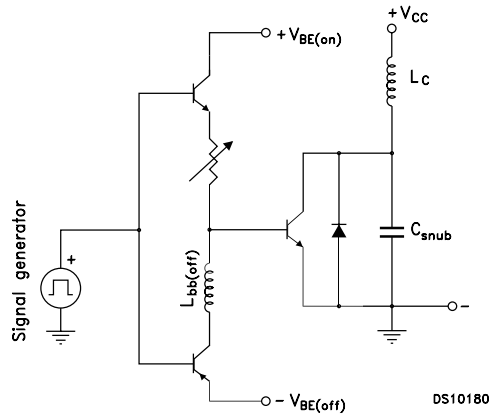
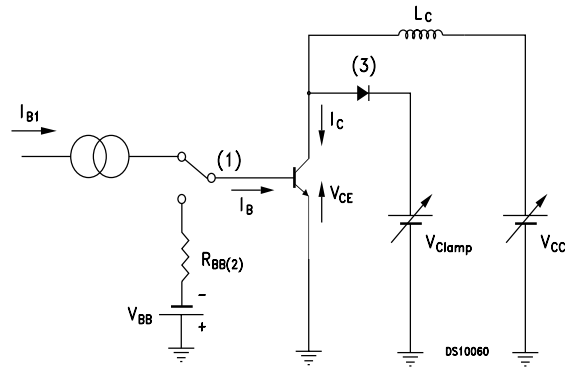


Figure 10. Reverse biased safe operating area

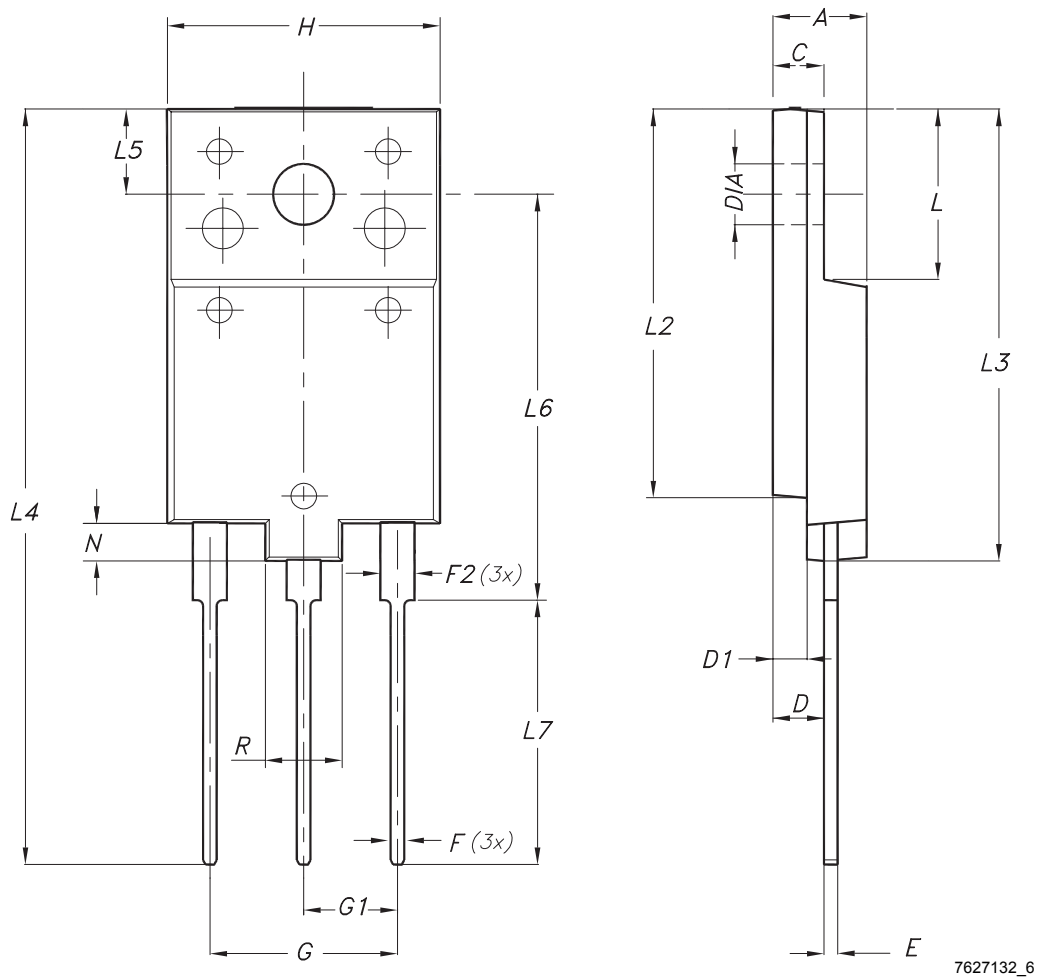


## 4 Package information

In order to meet environmental requirements, ST offers these devices in different grades of **ECOPACK** packages, depending on their level of environmental compliance. ECOPACK specifications, grade definitions and product status are available at: [www.st.com](http://www.st.com). ECOPACK is an ST trademark.

### 4.1 TO-3PF package information

Figure 11. TO-3PF package outline



7627132\_6

**Table 4. TO-3PF mechanical data**

Dim.	mm		
	Min.	Typ.	Max.
A	5.30		5.70
C	2.80		3.20
D	3.10		3.50
D1	1.80		2.20
E	0.80		1.10
F	0.65		0.95
F2	1.80		2.20
G	10.30		11.50
G1		5.45	
H	15.30		15.70
L	9.80	10.00	10.20
L2	22.80		23.20
L3	26.30		26.70
L4	43.20		44.40
L5	4.30		4.70
L6	24.30		24.70
L7	14.60		15.00
N	1.80		2.20
R	3.80		4.20
Dia	3.40		3.80



## Revision history

**Table 5. Document revision history**

Date	Version	Changes
02-Nov-2005	1	Initial release.
23-Feb-2007	2	Order code and parameters on Table1 has been change.
12-Nov-2020	3	Updated <a href="#">Section 4 Package information</a> . Minor text changes.

---

## Contents

<b>1</b>	<b>Electrical ratings</b> .....	<b>2</b>
<b>2</b>	<b>Electrical characteristics</b> .....	<b>3</b>
<b>2.1</b>	<b>Electrical characteristics (curves)</b> .....	<b>4</b>
<b>3</b>	<b>Test circuits</b> .....	<b>6</b>
<b>4</b>	<b>Package information</b> .....	<b>7</b>
<b>4.1</b>	<b>TO-3PF package information</b> .....	<b>7</b>
	<b>Revision history</b> .....	<b>9</b>

**IMPORTANT NOTICE – PLEASE READ CAREFULLY**

STMicroelectronics NV and its subsidiaries (“ST”) reserve the right to make changes, corrections, enhancements, modifications, and improvements to ST products and/or to this document at any time without notice. Purchasers should obtain the latest relevant information on ST products before placing orders. ST products are sold pursuant to ST’s terms and conditions of sale in place at the time of order acknowledgement.

Purchasers are solely responsible for the choice, selection, and use of ST products and ST assumes no liability for application assistance or the design of Purchasers’ products.

No license, express or implied, to any intellectual property right is granted by ST herein.

Resale of ST products with provisions different from the information set forth herein shall void any warranty granted by ST for such product.

ST and the ST logo are trademarks of ST. For additional information about ST trademarks, please refer to [www.st.com/trademarks](http://www.st.com/trademarks). All other product or service names are the property of their respective owners.

Information in this document supersedes and replaces information previously supplied in any prior versions of this document.

© 2020 STMicroelectronics – All rights reserved