

SPECIFICATIONS SHEET

PRODUCT TYPE : PIEZO BUZZER

PRODUCT SERIES : BRP4549S-240-C

DESCRIPTION : PZ BUZZER SINGLE 240VAC PLT ABS RoHS SP

1) 11mm PL 2) NUT FULL THREAD 3) SCREWS M3.4

4) LABEL MARKING " INTERVOX BRP4549S-240-C & Data Code "

5) ADD " RoHS conform " LABEL 6) ADD " + " SILVER LABEL ON TOP

COLOR : BLACK

ELECTRICAL SPECIFICATIONS

MODEL NO.	BRP4549S-240-C	
OPERATING VOLTAGE RANGE	(VAC)	60.0 ~ 250.0
RATED VOLTAGE	(VAC)	240.0
* MAX. RATED CURRENT	(mA)	30.0
* MIN. SOUND OUTPUT	(dBA/ 30 cm)	90.0
* FREQUENCY	(Hz)	2900 ± 500
TONE NATURE		SINGLE
OPERATING TEMPERATURE	(° C)	- 20.0 ~ + 60.0
STORAGE TEMPERATURE	(° C)	- 30.0 ~ + 70.0
TERMINAL		PLATE
HOUSING MATERIAL		ABS
WEIGHT	(g)	35.0

* Value applying at rated voltage

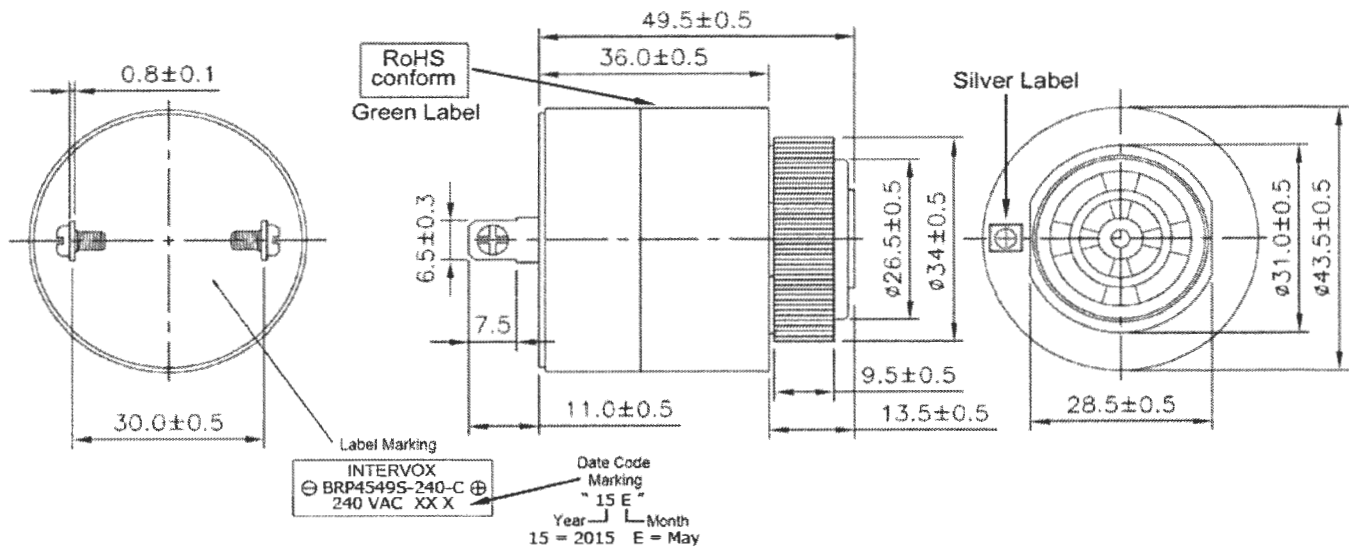
DIMENSIONS

UNIT : mm Tolerance : ± 0.5 mm

BOTTOM VIEW

SIDE VIEW

TOP VIEW



Approved By : ST
Date : 26-May-2015

Prepared By : LL
Date : 26-May-2014

Modify :	Date :	By :