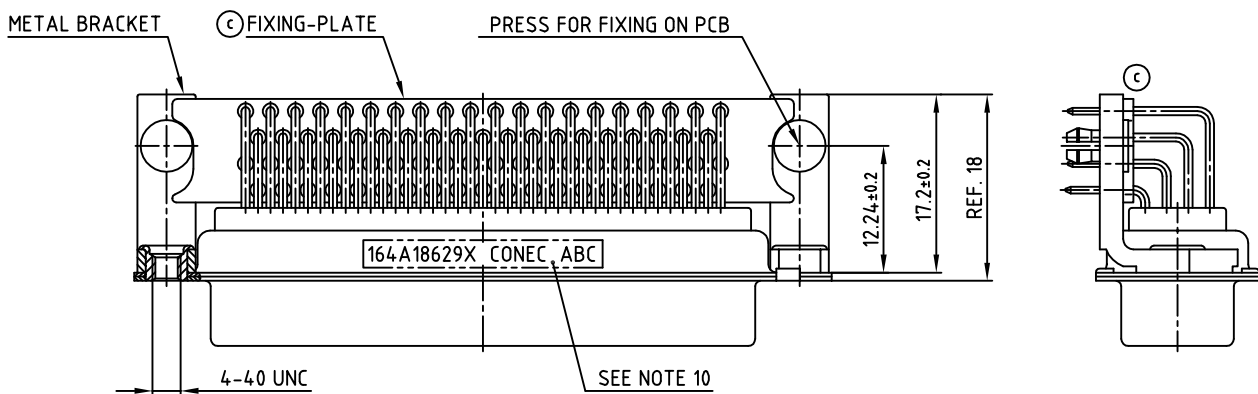
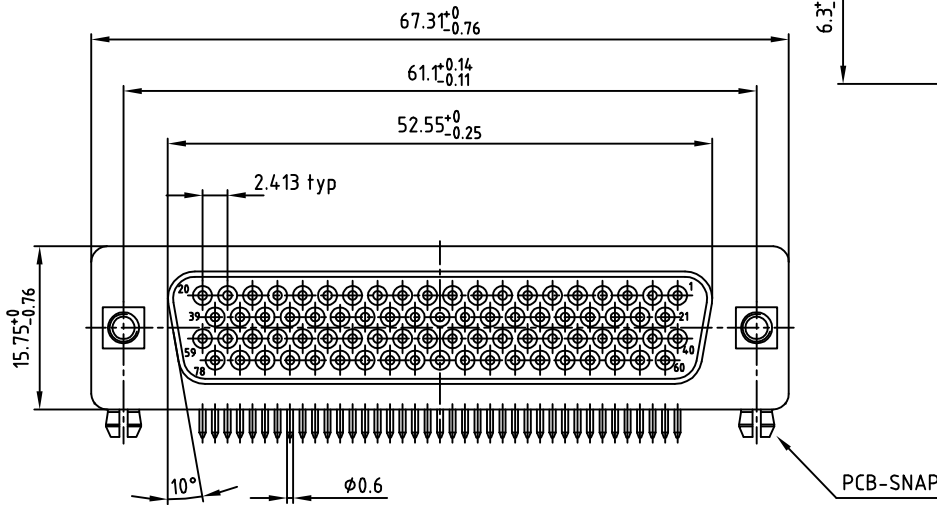
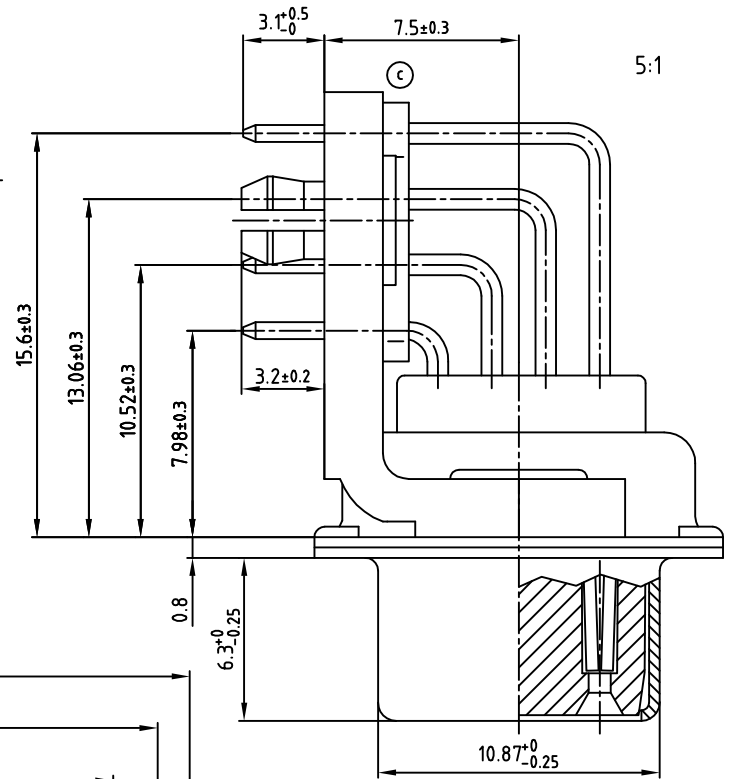


(b) (c)

NOTES:

- METALSHELLS: STEEL; min. 315µin TIN over 40-80µin NICKEL
- INSULATORS: PBT GF UL 94 V-0, BLACK
- CONTACTS: COPPER ALLOY  
PLATING: 8µin HARD GOLD over min. 50µin NICKEL
- METAL BRACKET: STEEL; min. 320µin TIN over 80µin NICKEL
- THREADED INSERT: COPPER ALLOY; min. 200µin TIN over 80µin NICKEL
- PCB-SNAP: COPPER ALLOY; min. 200µin TIN over 80µin NICKEL  
PCB-HOLE:  $\phi 3.1 \pm 0.1$ ; PCB THICKNESS 1.6mm
- FIXING-PLATE: PBT GF UL 94 V-0, BLACK
- P.C.B. HOLE DRILLINGS ON SHEET 2
- MAXIMUM TORQUE VALUE FOR THREAD: 6 in.LB
- CONNECTOR IS PART MARKED: **164A18629X CONEC ABC**

used for: D-SUB HD



APPROVAL # FREIGABE # DEBLOCAGE # AUTORIZACION # APPROVAL	
CUSTOMER APPROVAL DATE:	
NAME:	TITLE:
COMPANY NAME:	
APPROVAL # FREIGABE # DEBLOCAGE # AUTORIZACION # APPROVAL	

THIS DRAWING MAY NOT BE COPIED OR REPRODUCED IN ANY WAY, AND MAY NOT BE PASSED ON TO A THIRD PARTY, WITHOUT WRITTEN PERMISSION. OWNERSHIP AND COPYRIGHT OF CONEC GmbH DO NOT ALTER CAD DRAWING BY HAND

rev.	description	date	name
4 x c	Ä 3189	19.11.08	Lehmen, d-old
1 x b	Ä 2650	12.01.07	ES
a	Origin		

tolerance		 dim. in mm
1999	date	
drawn	19.04.	name
appd.	19.04.	Mickenbecker
norm		

scale:	2:1 (5:1)	
material:	SEE NOTES	
title:		
D-SUB HD FEMALE 90°		
0.314inch 78pos.		
threaded insert,metal bracket,fixing-plate,snap		
dwg no:	AutoCAD 2000	DIN-A
16K11HZA		3
part no:	164A18629X	
		sh:1/2

6

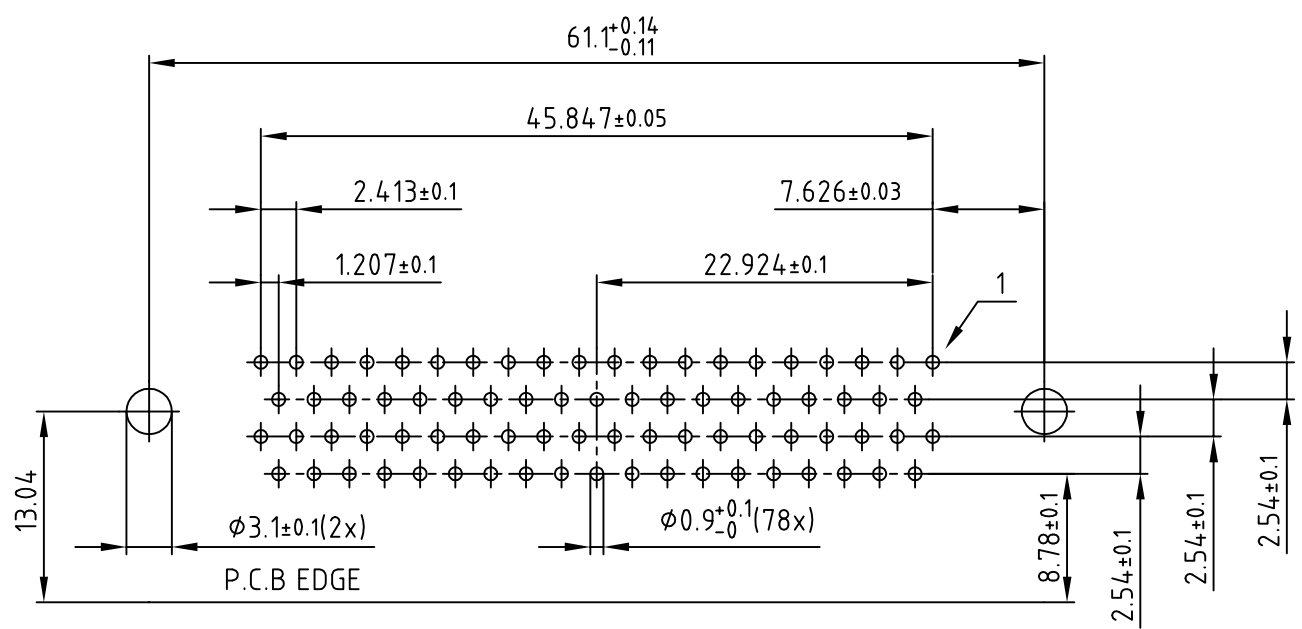
5

4

2

1

used for: D-SUB HD



(b)

APPROVAL # FREIGABE # DEBLOCAGE # AUTOR/ZACION # APPROVAL

CUSTOMER APPROVAL DATE:

NAME: TITLE:

COMPANY NAME:

APPROVAL # FREIGABE # DEBLOCAGE # AUTOR/ZACION # APPROVAL

THIS DRAWING MAY NOT BE COPIED OR REPRODUCED IN ANY WAY, AND MAY NOT BE PASSED ON TO A THIRD PARTY WITHOUT WRITTEN PERMISSION. OWNERSHIP AND COPYRIGHT OF CONEC GmbH DO NOT ALTER CAD DRAWING BY HAND

		tolerance			
1999	date	name			
drawn	19.04.	Barcinski			
appd.	19.04.	Mickenbecker			
norm					
d-old					
1 x b	Ä 2650	12.01.2007	ES		
a	Origin				
rev.	description	date	name		

scale:	2:1	
material:	SEE SHEET 1	
title:	P.C.B. HOLE DRILLINGS D-SUB HD FEMALE 90° 78pos. threaded insert, metal bracket, fixing-plate, snap	
dwg no:	AutoCAD 2000	DIN-A
	16K1IHZA	4
part no:	SEE SHEET 1	
		sh:2/2

4

3

2

1