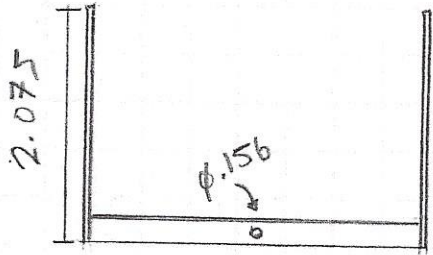


Interlock 135-Perf.

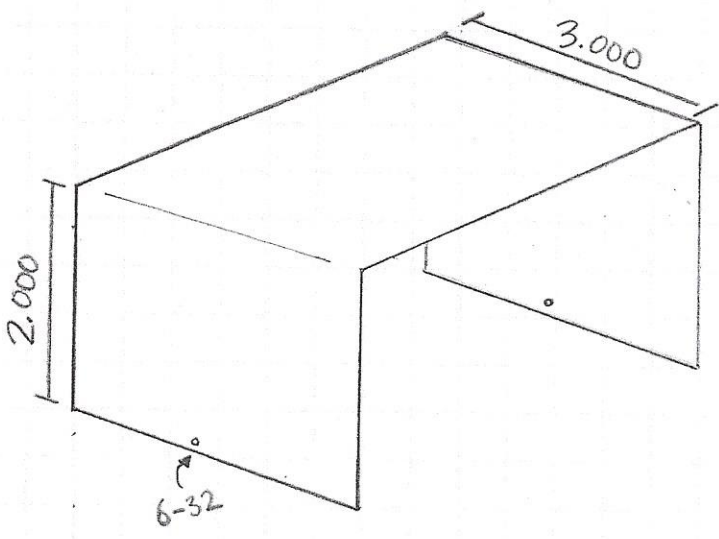
W	D	H
3"	3 3/4"	2 1/8"

(Outside Dimensions)



★ Cover perforations are $\phi .100$

- 6x12 (sides)
- 12x12 (top)

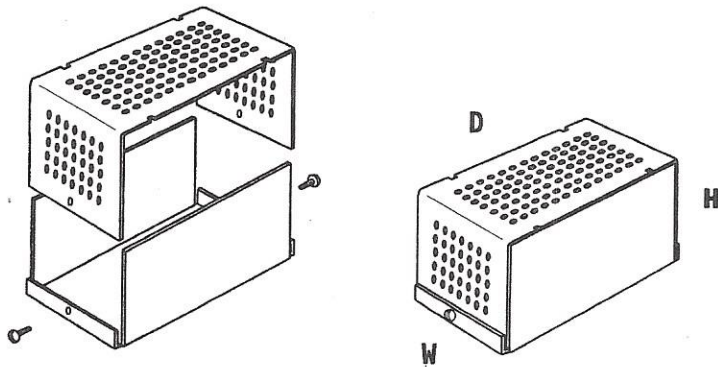


★ .050 Aluminum Thickness

CHASSIS

LMB Perforated Box Chassis

- LMB perforated boxes are scientifically precision perforated both to dissipate heat and give utmost shielding.
- LMB perforated boxes are adaptable wherever heat dissipation is required, as well as utmost shielding.
- Available in grey, black texture and plain aluminum.



<i>LMB Model</i>	<i>D</i>	<i>W</i>	<i>H</i>
Perf-M00	2 1/4	1 1/2	1 3/8
Perf-00Z	2 5/16	2 1/8	1 3/4
Perf-000	3 1/4	2 1/8	1 5/8
Perf-00	4	2 1/8	1 5/8
Perf-100	2 3/4	2 1/8	2 5/8
Perf-101	4 1/4	2 1/4	1 1/4
Perf-102	4	2	2 3/4
Perf-103	2 3/4	2 1/8	2 1/8
Perf-107	4	2 1/4	2 1/4
Perf-108	5	2 1/4	2 1/4
Perf-135	3 3/4	3	2 1/8
Perf-136	5 1/4	3	2 1/8
Perf-137	8	3	2 3/4
Perf-138	6 1/4	3 1/2	2 1/8
Perf-139	5 1/2	3	1 1/4
Perf-140	3	4	5
Perf-141	6	4	3
Perf-142	6	4	5
Perf-143	4	4	2
Perf-144	10	4	2 1/2
Perf-145	7	5	3
Perf-146	8	6	4 1/2
Perf-15	12	2	1 3/4
Perf-650	6 1/2	2 1/8	1 5/8
Perf-850	8 1/2	2 1/8	1 5/8

.050 Aluminum; all measurements in inches (outside dimensions).

Aluminum Panel Chassis

- Fastens to mounting rail on racks.
- Use as a vertical chassis where depth is limited or where front rack mount service is needed.
- Plain finish only.

<i>LMB Model</i>	<i>D</i>	<i>W</i>	<i>H</i>
PC 175	1 3/4	5	17
PC 350	3 1/2	5	17
PC 525	5 1/2	5	17
PC 7	7	5	17

Panel depth 5 1/4"; .063 Aluminum; all measurements in inches (outside dimensions).

Panel Chassis Cover

- Fits all sizes of panel chassis with four mounting holes.
- 5 1/8" x 17".
- .063 Aluminum.
- Available in plain only.

