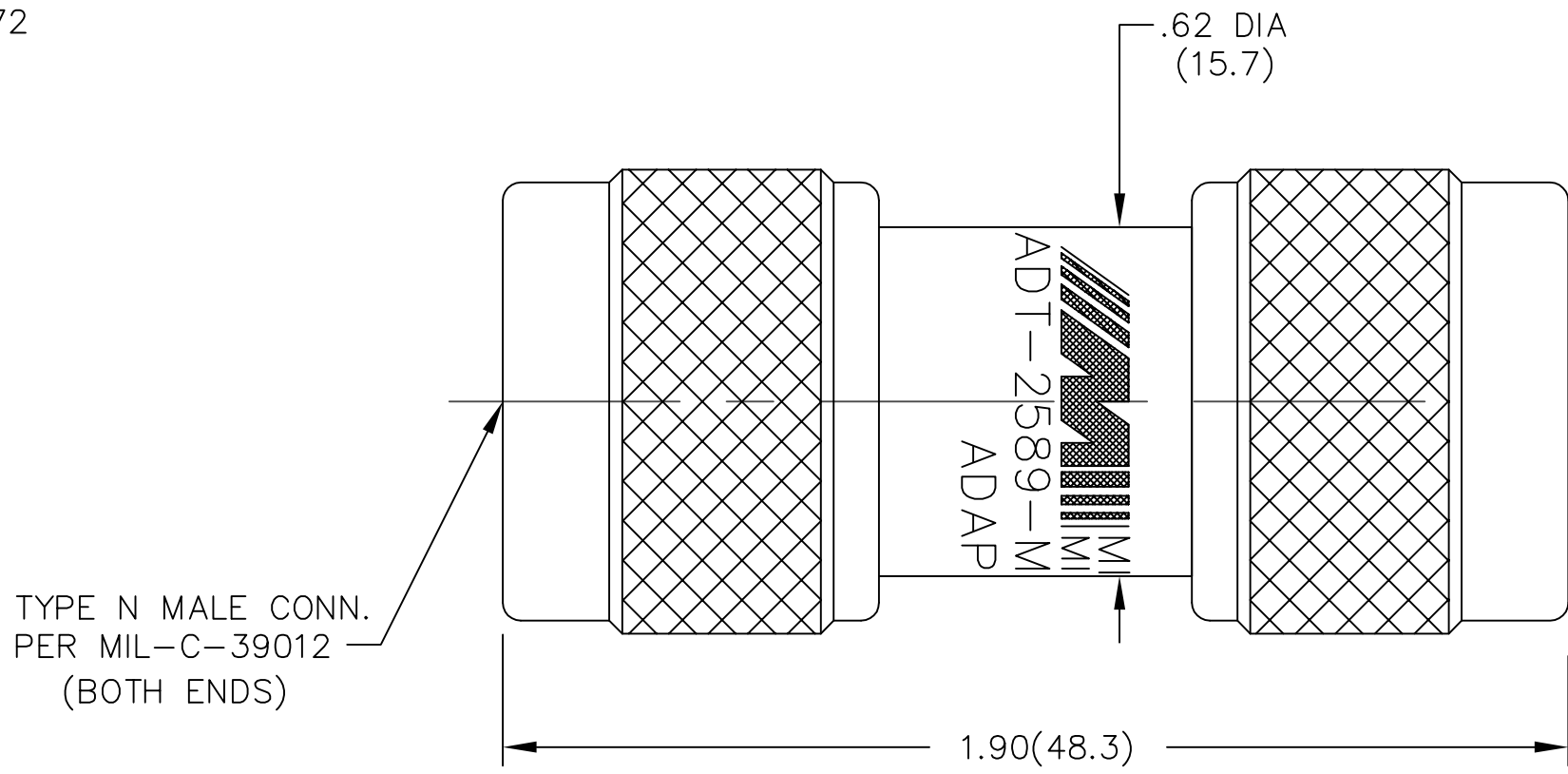


MODEL NUMBER
ADT-2589-MM-NNN-02

- NOTES:
- 1.0 MATERIALS:
 - 1.1 HOUSING: STAINLESS STEEL PER ASTM-A582, TYPE 303.
 - 1.2 CENTER CONTACT: BERYLLIUM COPPER ROD ALLOY C172, PER ASTM-B194.
 - 1.3 DIELECTRIC: PTFE FLUOROCARBON PER ASTM-D1457.
 - 2.0 PLATING:
 - 2.1 HOUSING & NUTS: PASSIVATED PER MIL-F-14072 AND QQ-P-35
 - 2.2 CENTER CONTACT: GOLD PER MIL-G-45204, TYPE II, CLASS 2.
 - 3.0 ELECTRICAL SPECIFICATION:
 - 3.1 FREQUENCY RANGE: DC to 18.0 GHz
 - 3.2 VSWR (MAXIMUM):
 - DC to 4.0 GHz: 1.04:1
 - 4.0 to 8.0 GHz: 1.06:1
 - 8.0 to 18.0 GHz: 1.10:1
 - 4.0 DIMENSIONS IN PARENTHESIS ARE IN MILLIMETERS
 - 5.0 MARKING: MARK UNIT AS SHOWN (REF.: INK-02669-27-14)



DWG NO. WAS: 02407-01-00

REV.	DESCRIPTION	DATE
-	RELEASED	8/9/78
A	ECR 6545	6/28/89
B	REDRAW NO CAD	3/31/92
D	ECO 24632	1/21/13

NOTICE: The information contained in this drawing is proprietary and must not be used without the permission of Emerson Network Power. UNLESS OTHERWISE NOTED DIMENSIONS ARE IN INCHES AND TOLERANCES ARE: 3 PLACE DECIMALS ±.005 2 PLACE DECIMALS ±.02 FRACTIONS ±1/64 PARALLELITY: T.I.R. _____ FLATNESS: T.I.R. _____ CONCENTRICITY: T.I.R. _____ ANGLES AND PERPENDICULARITY: ±1°	CAGE CODE 34078	MIDWEST MICROWAVE	
		TITLE ADAPTER OUTLINE DRAWING	
DRAWN/DATE C. WALLACE 8/6/13	ENG./DATE P. KLYVE 1/21/13	DRAWING NUMBER ADT-2589-MM-NNN-02-01	REV. D
CHECKED/DATE P. KLYVE 8/7/13	APPROVED/DATE P. KLYVE 8/7/13	SCALE: 5=1	SHEET 1 of 1