

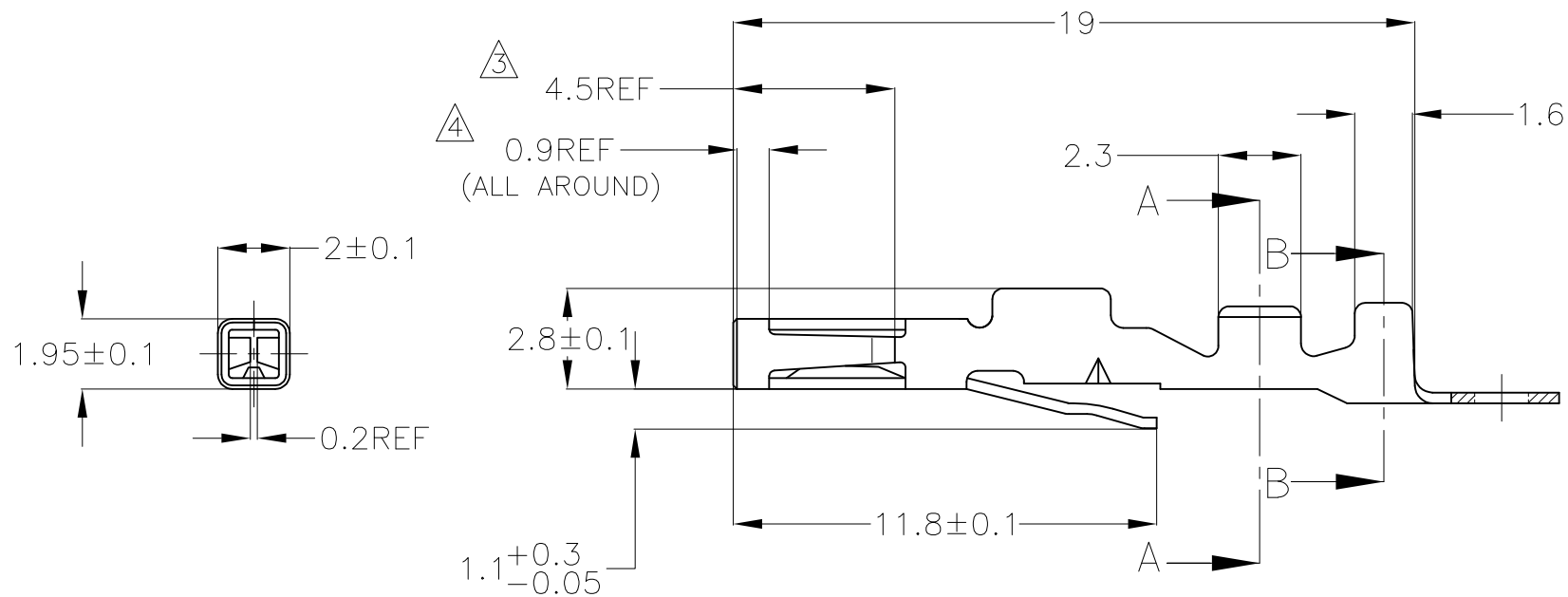
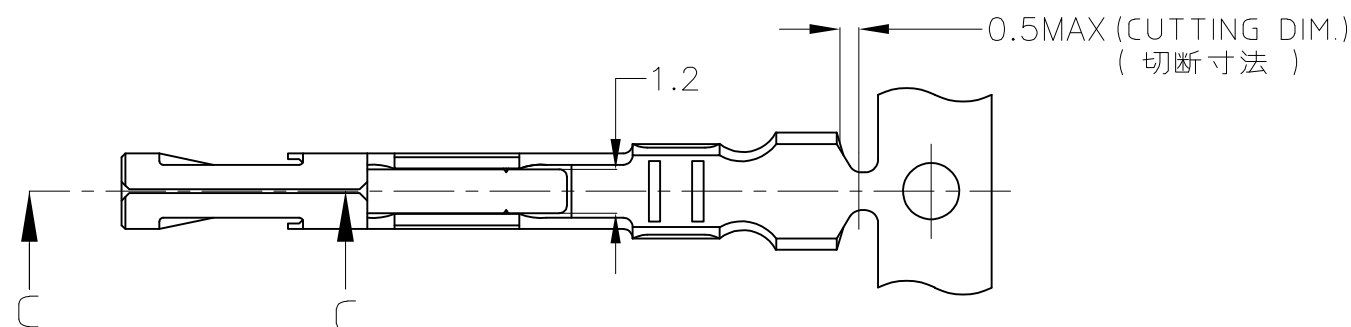
THIS DRAWING IS UNPUBLISHED.

RELEASED FOR PUBLICATION

ALL RIGHTS RESERVED.

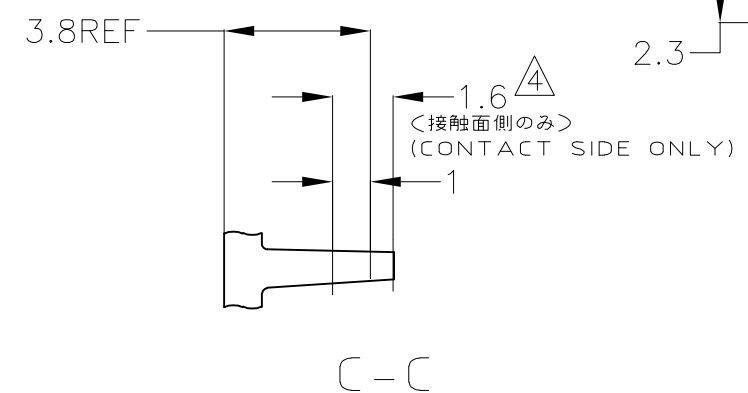
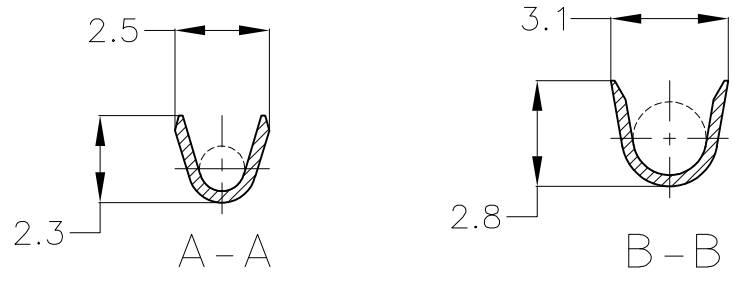
© COPYRIGHT 2003 By -

LOC	DIST	REVISIONS					
J	-	P	LTR	DESCRIPTION	DATE	DWN	APVD
			H2	REVISED PER ECO-11-005140	28MAR11	RK	HMR



- 注:
- 1 使用ハウジング型番 172021,172047 他
 - 2 製品規格: 108-5124
 - ③ 全面ニッケルめっきの上に4.5mmの部分に0.38μm以上の金めっき
 - ④ 全面ニッケルめっきの上に接触バネ内側 1.6mmの部分に0.38μm以上の金めっき コンタクト先端 0.9mmのところを金フラッシュめっき
 - ⑤ 1-170291-1の逆巻きリール

- NOTES:
- 1 MATALE HOUSING: 172021,172047 AND OTHERS
 - 2 PRODUCT SPECIFICATION: 108-5124
 - ③ 0.38μm MIN. SELECTIVE GOLD PLATING IN 4.5mm LENGTH OVER NICKEL PLATING
 - ④ 0.38μm MIN. SELECTIVE GOLD IN 1.6mm LENGTH (INSIDE OF LEAF) OVER NICKEL PLATING, GOLD FLASH PLATING IN TIP OF CONTACT 0.9mm LENGTH
 - ⑤ REVERSE REEL OF 1-170291-1



型番 (NUMBER)	材料 (MATERIAL)	仕上 (FINISH)	バラ端子型番 (L/P PART NUMBER)
1-170291-1	黄銅, BRASS, 0.3t	錫めっき済 PRE-TINND MAT'L	1-170321-1
OBSOLETE	1-170291-3	黄銅, BRASS, 0.3t	---
1-170291-4	リン青銅, 0.3t PHOS-BZ	錫めっき済 PRE-TINND MAT'L	1-170321-4
1-170291-7	リン青銅, 0.3t PHOS-BZ	---	---
⑤	3-170291-1	黄銅, BRASS, 0.3t PRE-TINND MAT'L	---

THIS DRAWING IS A CONTROLLED DOCUMENT.

DWN	A.YAMAGUCHI	09JUL03	STE TE Connectivity			
CHK	K.BETSUI	09JUL03				
APVD	K.BETSUI	09JUL03				
NAME	名称					
PRODUCT SPEC	製品規格		DUAL LINE INTERLOCK CONNECTOR			
108-5124						
APPLICATION SPEC	取付適用規格		SIZE	CAGE CODE	DRAWING NO	RESTRICTED TO
114-5045			A3	00779	C-170291	---
WEIGHT	-		SCALE	SHEET	REV	
CUSTOMER DRAWING			尺度	1 OF 1	H2	

WIRE RANGE	0.3~0.56mm ² (AWG#22-#20)
INSULATION DIA.	2.4mm MAX.

DIMENSIONS:	TOLERANCES UNLESS OTHERWISE SPECIFIED:
単位: 耗 mm	一般公差 ±0.3
	①-PLC ±
	②-PLC ±
	③-PLC ±
	④-PLC ±
	ANGLES ±
MATERIAL	FINISH
材料	仕上
SEE TABLE	SEE TABLE