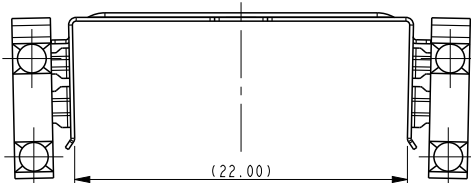
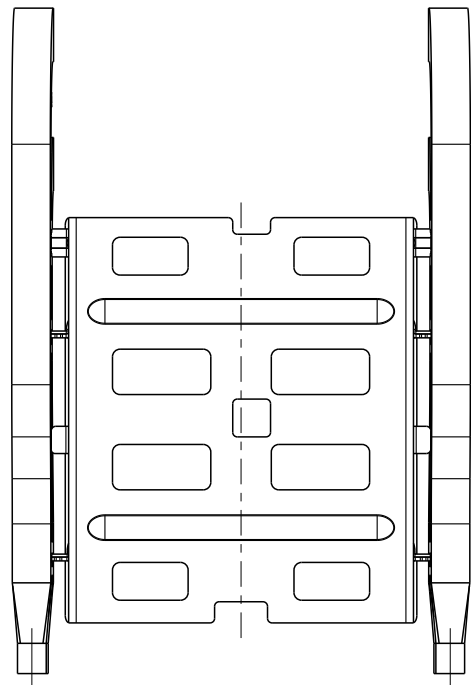
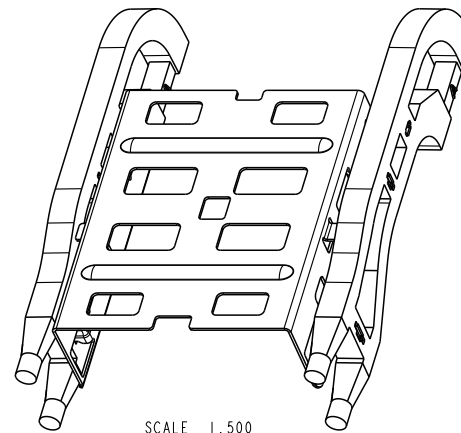


PART NUMBER

10122757-001LF



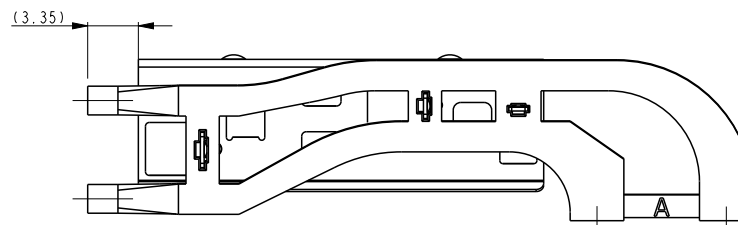
SCALE 2.000



SCALE 1.500

NOTES:

1. MATERIALS:
LIGHT PIPE MOUNTING CLIP: STAINLESS STEEL
LIGHT PIPE: POLYCARBONATE
2. PRODUCT SPECIFICATION: GS-12-65X
3. PRODUCT PACKING SPECIFICATION: GS-14-XXXX
LIGHT PIPE ASSEMBLIES PACKED BY TRAY.
4. APPLICATION SPECIFICATION: GS-20-032X
5. THIS CONNECTOR IS DESIGNED TO MEET THE REQUIREMENTS OF
INDUSTRY SPECIFICATION SFF-8644.
6. LIGHT PIPE ASSEMBLY TO BE APPLIED AFTER CONNECTOR ASSEMBLY TO PCB.



Copyright FCI.

spec ref		dr Liu Jenson		2013/03/13		projection 	MM ←→	size	A4	scale	1.000
tolerance std		eng Zhao Peter		2013/03/14				ecn no	-		
ISO 406 ISO 1101		chr -		-				rel level	Released		
surface ✓		appr Collins Lu		2013/03/14		product family		rev			
ISO 1302		www.fci.com		title		1X2 SIDE LIGHT PIPE SUB-ASSY WITH CLIP		dwg no		10122757C	
linear		0.X ±X		MINI SAS HD		cat. no.		Product - Customer Drw		sheet 1 of 1	
angular		0.0X ±0.20								A	
		0.XXX ±X									
		0° ±2°									