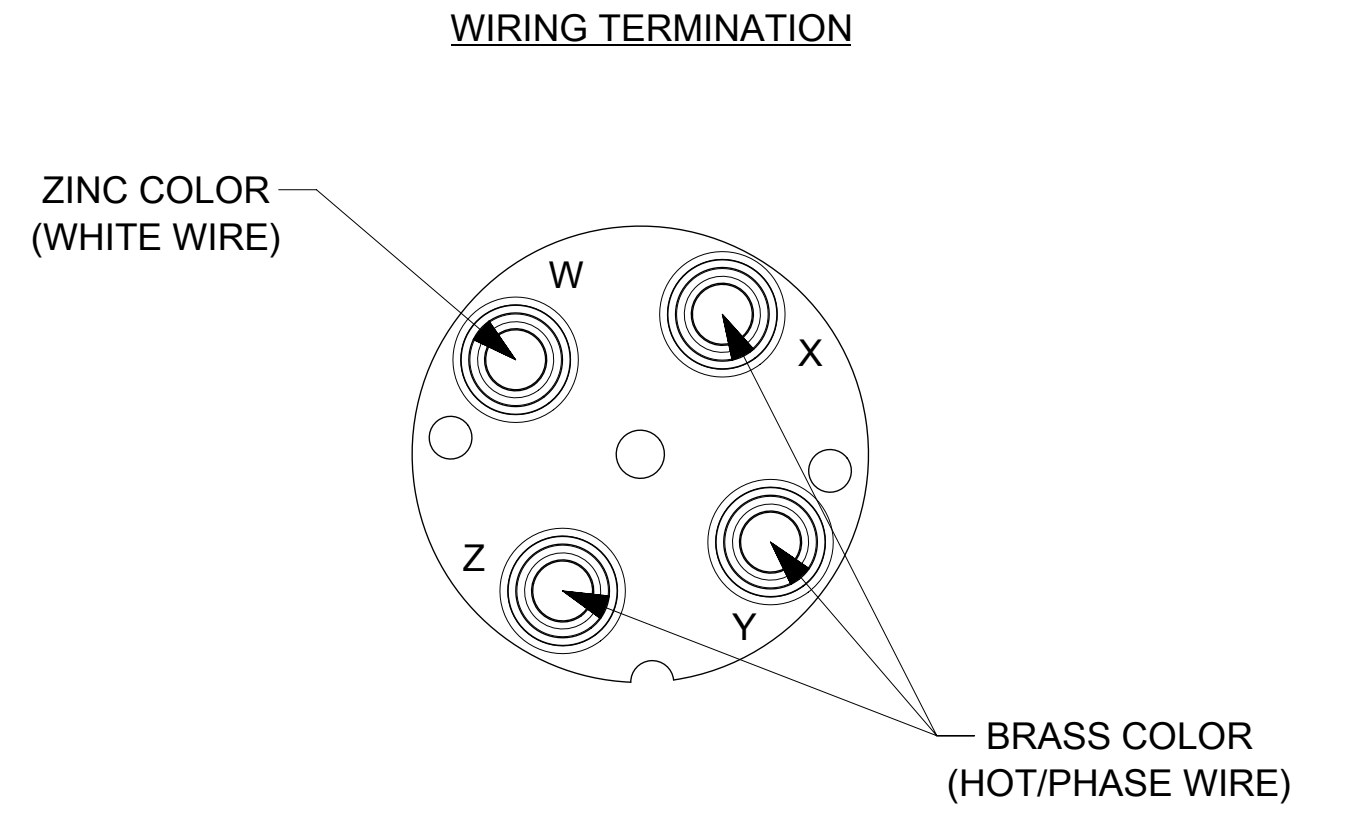
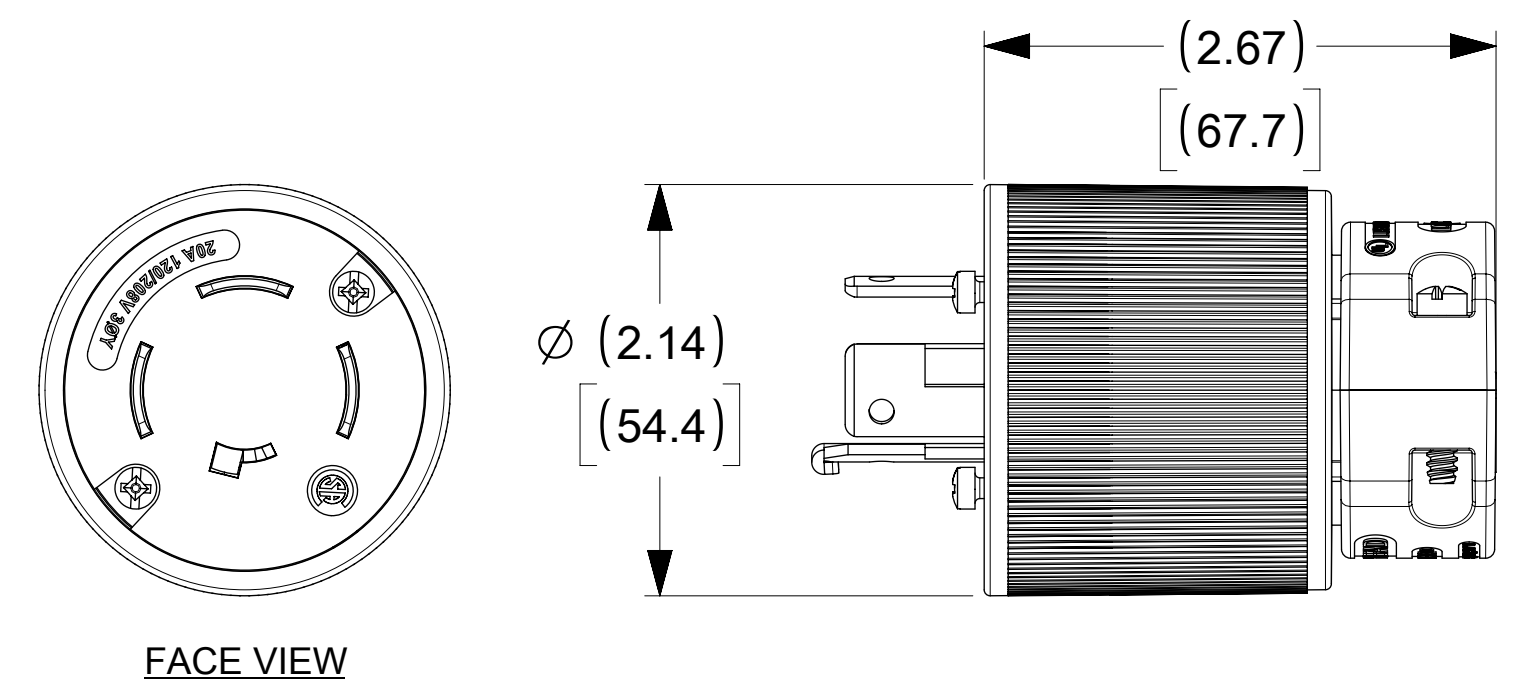
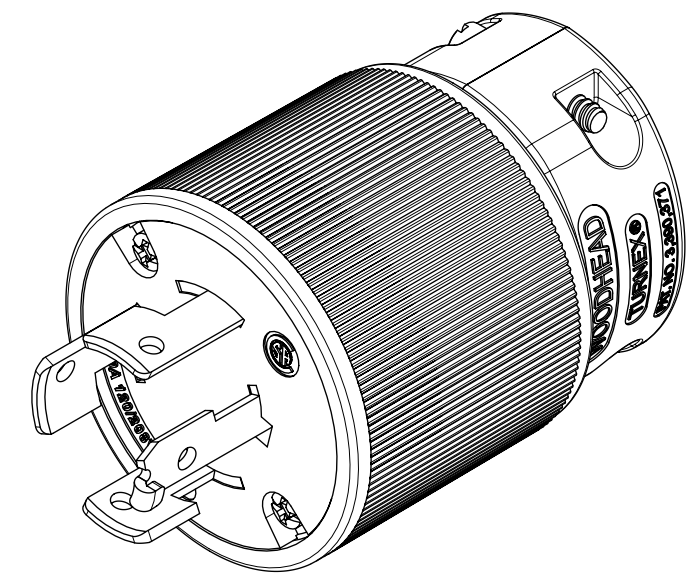
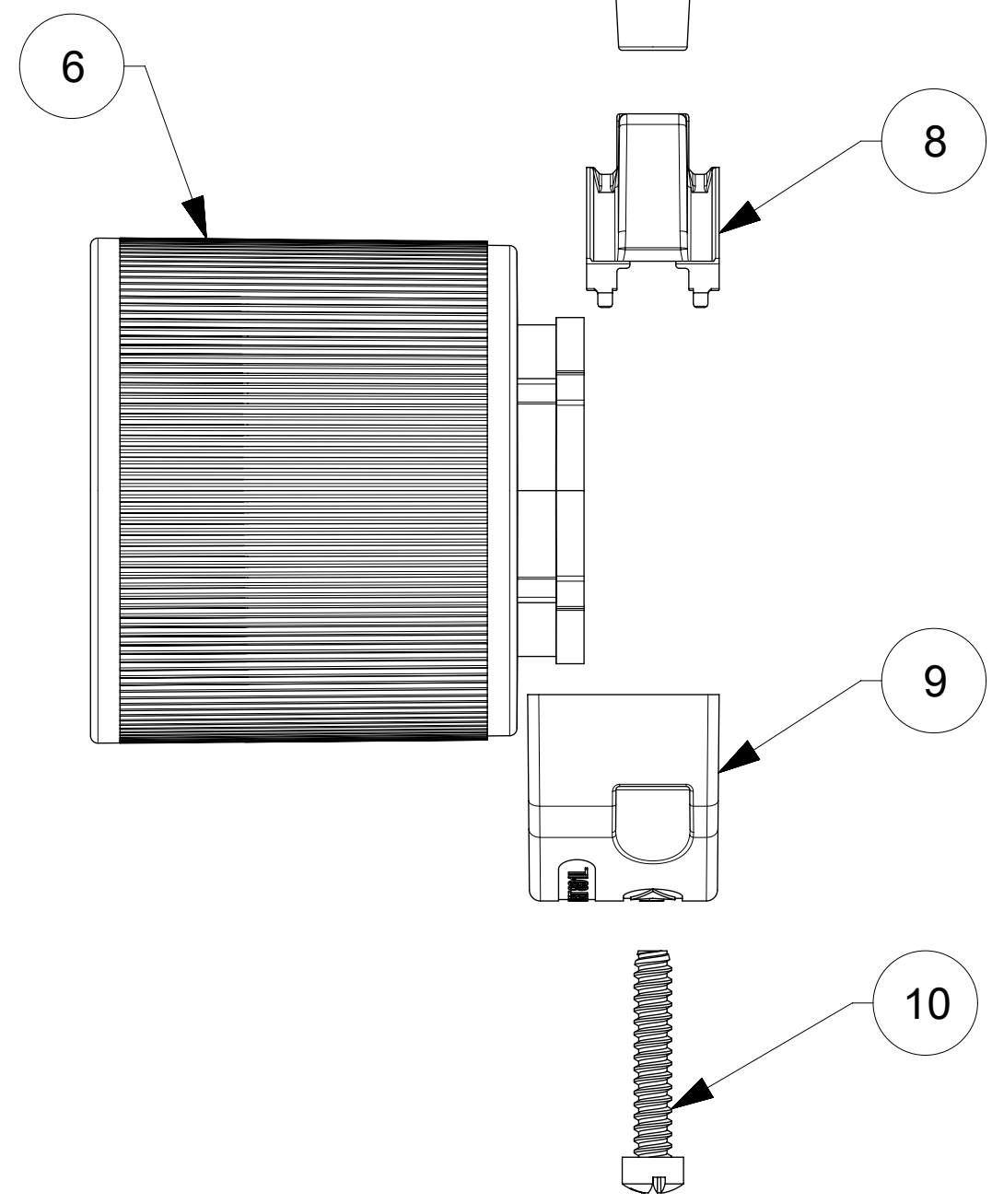
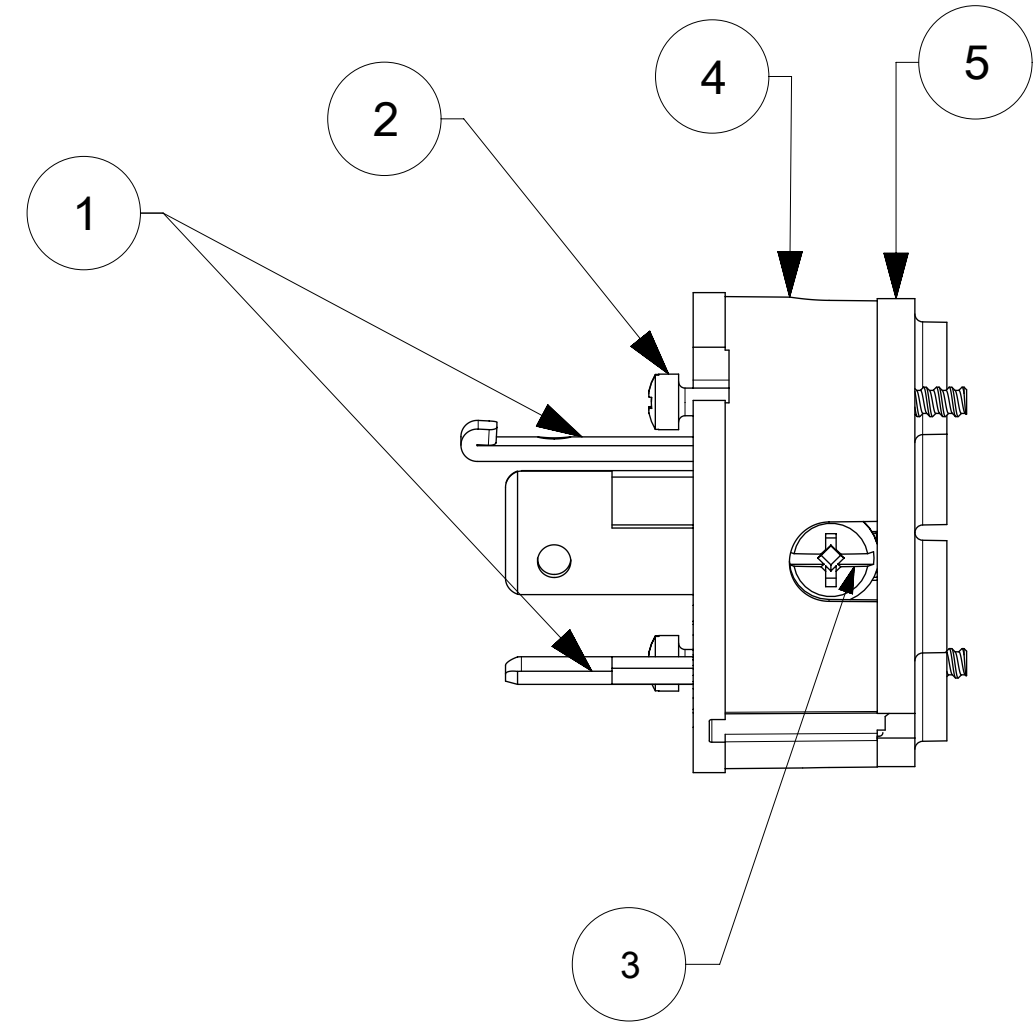


MATERIAL NO.	PART NO.	COLOR
130145-0005	26T09	BLACK



ITEM NO.	DESCRIPTIONS	MATERIAL	QTY.
1	BLADES	BRASS, NICKEL PLATED	4
2	RETAINING SCREWS	STAINLESS STEEL	3
3	TERMINAL SCREWS/CLAMP ASSEMBLY	BRASS, ZINC PLATED	4
4	INSERT	NYLON	1
5	TERMINAL COVER	POLYCARBONATE	1
6	HOUSING	NYLON	1
7	CLAMP CORD MALE	NYLON	1
8	CLAMP CORD INSERT	NYLON	1
9	CLAMP CORD FEMALE	NYLON	1
10	RETAINING SCREWS	STAINLESS STEEL	2

THIS DRAWING CONTAINS INFORMATION THAT IS PROPRIETARY TO MOLEX ELECTRONIC TECHNOLOGIES, LLC AND SHOULD NOT BE USED WITHOUT WRITTEN PERMISSION

DIMENSION UNITS	SCALE	CURRENT REV DESC: OBSOLETE PART NUMBER AS PER PCN#509987.	molex		
INCH[MM]	NTS				
GENERAL TOLERANCES (UNLESS SPECIFIED)			SAFETYWAY PLUG TURNEX 4P4W NON-NEMA		
	MM	INCH	PRODUCT CUSTOMER DRAWING		
4 PLACES	±	±	DOCUMENT NUMBER		
3 PLACES	±	±	1301450005		
2 PLACES	±	±	DOC TYPE DOC PART REVISION		
1 PLACE	±	±	PSD 000 A1		
0 PLACES	±	±	MATERIAL NUMBER CUSTOMER SHEET NUMBER		
ANGULAR TOL	± °		SEE TABLE GENERAL MARKET 1 OF 1		
DRAFT WHERE APPLICABLE MUST REMAIN WITHIN DIMENSIONS		THIRD ANGLE PROJECTION	DRAWING	SERIES	
			C-SIZE	130145	

EC NO: 693623
 DRWN: SANTHN 2021/09/13
 CHK'D: GGA 2022/03/30
 APPR: GGA 2022/03/30
 INITIAL REVISION:
 DRWN: DSOPPIN 2019/04/05
 APPR: HKNEELAND 2020/02/04