

PART NAME: KNOB      SCALE: 1:1      DATE: 12//93      DR. BY H.S.

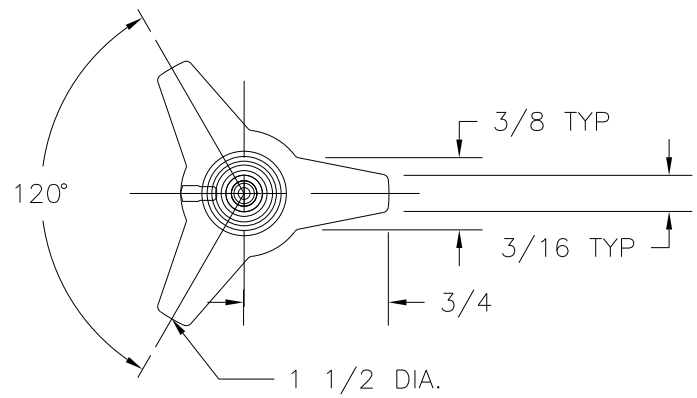
THIS DRAWING IS THE PROPERTY OF DAVIES MOLDING COMPANY, IS SUBMITTED SOLELY AS A DESIGN OR ENGINEERING PROJECT. WE ACCEPT NO RESPONSIBILITY WHATSOEVER FOR THE PRACTICAL APPLICATION OF THE PIECES MADE TO THIS DESIGN.



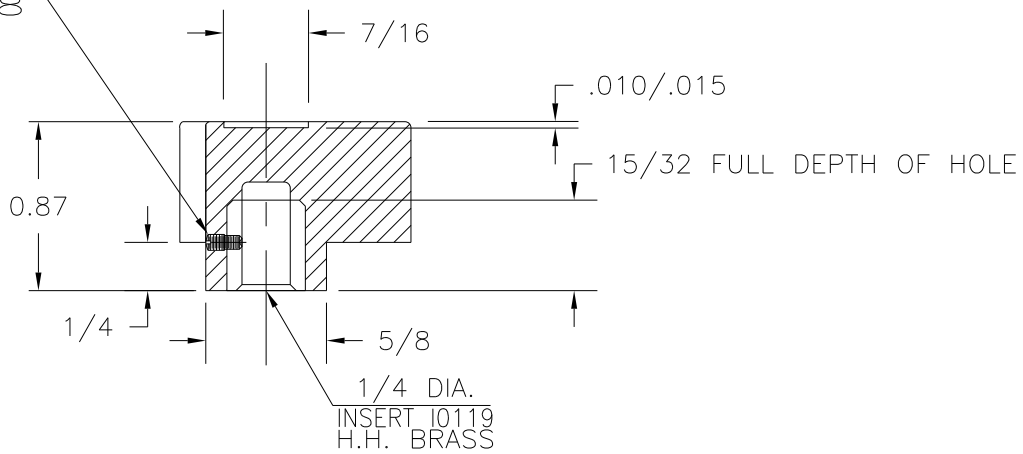
DESIGNERS & MANUFACTURERS OF KNOBS, HANDLES, CASES & CUSTOM PLASTIC COMPONENTS

P/N 3035BV  
 BASE PART 3035-04  
 SET SCREW 10328

(A)  
(B)



#28 TAP DRILL 8-32 TAP  
 8-32\*3/16 CUP POINT  
 SLOTTED SET SCREW  
 ONE REQD. 10328



MATERIAL: G.P. PHENOLIC (B11)  
 COLOR: BLACK

NOTE : ALL PARTS MUST BE CLEAN AND FREE OF ALL BURRS,CHIPS, AND OIL

TOLERANCES: UNLESS OTHERWISE SPECIFIED	DO NOT SCALE DRAWING			
DECIMALS: X.XXX ± .005 X.XX ± .015	MM: X.XX ± 0.15MM X.X ± 0.4MM	B	ADDED BASE PART	JAM 4/8/14
		A	ADDED INNER & OUTER PINS ADDED INSERT TAP DOWN	JAM 3/7/02
FRACTIONS ± 1/64	ANG. ± 1°	CHANGES		