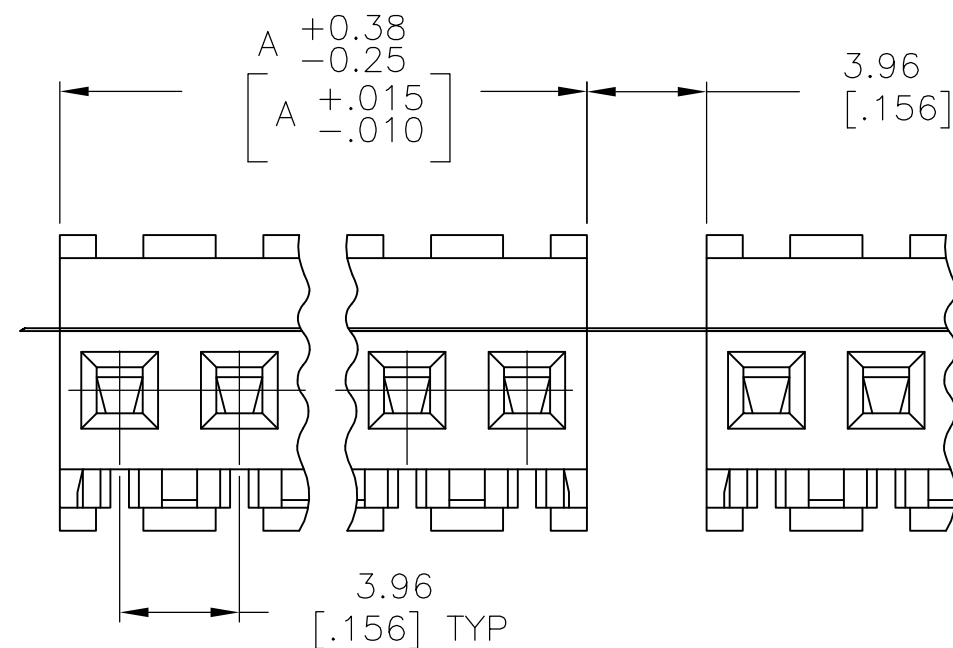
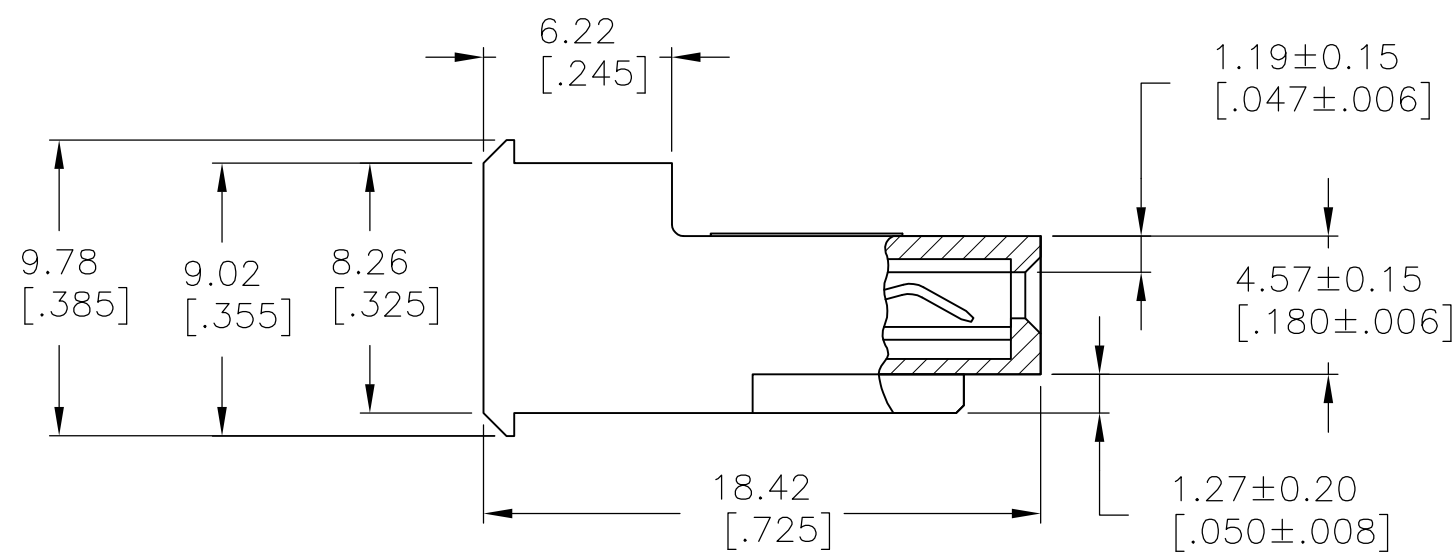
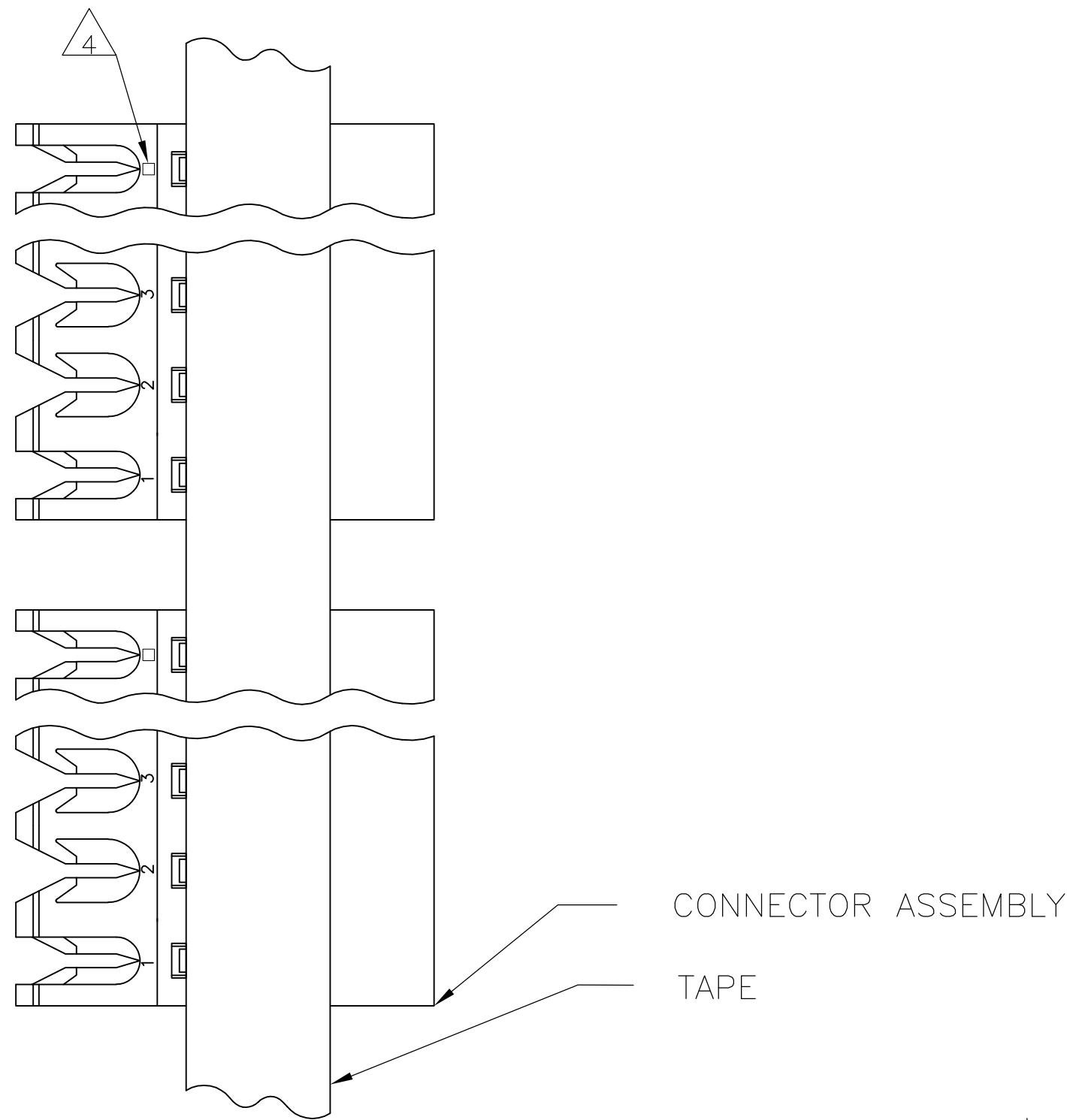


THIS DRAWING IS UNPUBLISHED. RELEASED FOR PUBLICATION
 © COPYRIGHT BY TYCO ELECTRONICS CORPORATION. ALL RIGHTS RESERVED.

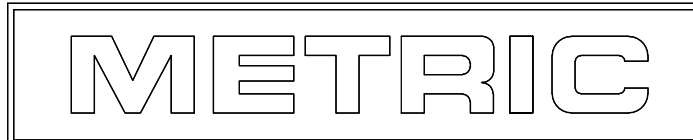
LOC		DIST		REVISIONS			
P	LTR	DESCRIPTION		DATE	DWN	APVD	
	G	ECO-07-012852		04JUN07	KW	DB	



95.10	3.744	24	5-641306-4
91.14	3.588	23	5-641306-3
87.17	3.432	22	5-641306-2
83.21	3.276	21	5-641306-1
79.25	3.120	20	5-641306-0
75.29	2.964	19	4-641306-9
71.32	2.808	18	4-641306-8
67.36	2.652	17	4-641306-7
63.40	2.496	16	4-641306-6
59.44	2.340	15	4-641306-5
55.47	2.184	14	4-641306-4
51.51	2.028	13	4-641306-3
47.55	1.872	12	4-641306-2
43.59	1.716	11	4-641306-1
39.62	1.560	10	4-641306-0
35.66	1.404	9	3-641306-9
31.70	1.248	8	3-641306-8
27.74	1.092	7	3-641306-7
23.77	.936	6	3-641306-6
19.81	.780	5	3-641306-5
15.85	.624	4	3-641306-4
11.89	.468	3	3-641306-3
7.92	.312	2	3-641306-2
95.10	3.744	24	2-641306-4
91.14	3.588	23	2-641306-3
87.17	3.432	22	2-641306-2
83.21	3.276	21	2-641306-1
79.25	3.120	20	2-641306-0
75.29	2.964	19	1-641306-9
71.32	2.808	18	1-641306-8
67.36	2.652	17	1-641306-7
63.40	2.496	16	1-641306-6
59.44	2.340	15	1-641306-5
55.47	2.184	14	1-641306-4
51.51	2.028	13	1-641306-3
47.55	1.872	12	1-641306-2
43.59	1.716	11	1-641306-1
39.62	1.560	10	1-641306-0
35.66	1.404	9	641306-9
31.70	1.248	8	641306-8
27.74	1.092	7	641306-7
23.77	.936	6	641306-6
19.81	.780	5	641306-5
15.85	.624	4	641306-4
11.89	.468	3	641306-3
7.92	.312	2	641306-2
DIM A		NO OF CIRCUITS	PART NO

1 MATERIAL: CONNECTOR - NYLON UL94V-2 (ORANGE)
 CONTACTS - 0.30[.012] THICK COPPER ALLOY
 BRIGHT TIN-LEAD 0.00203[.000080] MIN THICK
 FOR CONTACTS 641306-2 THRU 2-641306-4
 MATTE WHISKER MITIGATED TIN 0.00203[.000080] MIN
 THICKNESS OUVER NICKEL UNDERPLATE FOR 3-641306-2
 THRU 5-641306-4.

- 2. CONTACTS ACCEPT 18 AWG WIRE WITH 2.41[.095] MAX INSULATION DIAMETER.
- 3. CONTACTS MUST ACCEPT 1.14±0.03 [.045±.001] SQUARE POST AND REMAIN LOCKED IN POSITION.
- 4 IDENTIFICATION NUMBER FOR LAST CIRCUIT MAY NOT APPEAR ON ALL ASSEMBLIES.
- 5. DIMENSIONS IN BRACKETS ARE IN INCHES.
- 6. HOUSING FEATURES ARE: FEED-THRU WITHOUT LOCKING RAMP



THIS DRAWING IS A CONTROLLED DOCUMENT.		DWN B. LEWIS 02 MAY 96	Tyco Electronics Corporation Harrisburg, Pa 17105-3608	
DIMENSIONS: mm [INCHES]		CHK R. SWING 02 MAY 96	NAME MTA-156 CONNECTOR ASSEMBLY, 18 AWG, STANDARD TAPE MOUNTED	
TOLERANCES UNLESS OTHERWISE SPECIFIED: 0 PLC ± - 1 PLC ± - 2 PLC ± - 3 PLC ± 0.13 [.005] 4 PLC ± - ANGLES ± -		APVD D. CLARK 02 MAY 96	RESTRICTED TO	
MATERIAL 1		FINISH 1	SIZE A2	CAGE CODE 00779
CUSTOMER DRAWING		SCALE 1:1	DRAWING NO C=641306	REV G